

fibre washers

WS 200

for ISO Metric fasteners

Faserscheiben

für ISO metrische Befestigungselemente

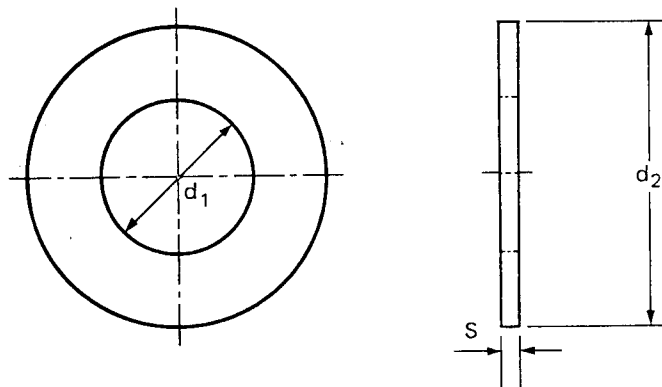
rondelles en fibre

pour fixations ISO métriques

Dimensions in mm

Maße in mm

Dimensions en millimètres



Tolerances according to DIN 522

Toleranzen nach DIN 522

Tolérances selon DIN 522

| Nominal Size of bolt or screw | d_1 | d_2 | S | Weight in kgs/1000 pieces |
|-------------------------------|-------|-------|-----|---------------------------|
| M2.5 | 2.7 | 6.5 | 0.5 | 0.017 |
| M3 | 3.2 | 7 | 0.5 | 0.019 |
| M4 | 4.3 | 9 | 0.8 | 0.049 |
| M5 | 5.3 | 10 | 0.8 | 0.056 |
| M6 | 6.4 | 12.5 | 0.8 | 0.090 |
| M8 | 8.4 | 17 | 1.5 | 0.318 |
| M10 | 10.5 | 21 | 1.5 | 0.483 |
| M12 | 13 | 24 | 1.5 | 0.593 |
| M16 | 17 | 30 | 1.5 | 0.891 |
| M20 | 21 | 37 | 1.5 | 1.35 |

Material: Hard red vulcanised fibre

Werkstoff: Roter, vulkanisierter Faserstoff

Matières: fibre vulcanisée rouge dure

X-ON Electronics

Largest Supplier of Electrical and Electronic Components

Click to view similar products for [tigges](#) manufacturer:

Other Similar products are found below :

[MGWASHER6X25](#) [912/4X35](#) [MGWASHER12X35](#) [MGWASHER10X35](#)