

# 'S' SERIES NYLON MOUNTING CLIP FOR TUBULAR CAPACITORS



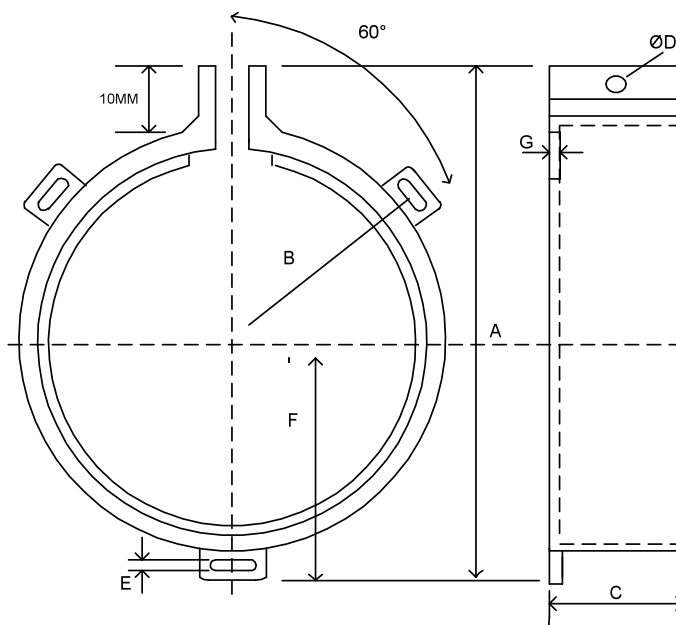
## APPLICATION

'S' Series are particularly recommended where capacitor cases should be isolated from the chassis on which they are fixed.

The capacitor is raised 2mm off the mounting board thereby eliminating the need for an insulating disc on the capacitor.

Metal clips can cut through the insulating sleeve and cause problems which cannot occur with an insulating NYLON clip.

The good mechanical properties of NYLON are well known and these clips are particularly suitable where vibration is involved.



No.	Can Diameter	A	B	C	D	E	F	G
EP0885 - P3	50	74	32	25.0	4.0	4.7	37.0	2.5
EP0886 - P3	63.5	87	38.5	25.0	4.0	4.7	43.5	2.5
EP0887 - P3	76	100	45.0	25.0	4.0	4.7	50.0	2.5
EP9002 - P3	90	114	52.0	25.0	4.0	4.7	57.0	2.5

# 'S' SERIES NYLON MOUNTING CLIP FOR TUBULAR CAPACITORS



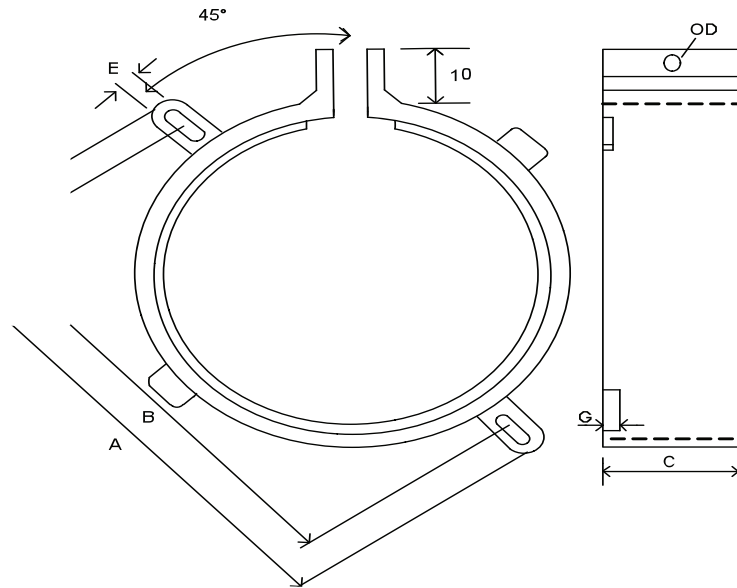
## APPLICATION

'S' Series are particularly recommended where capacitor cases should be isolated from the chassis on which they are fixed.

The capacitor is raised 2mm off the mounting board thereby eliminating the need for an insulating disc on the capacitor.

Metal clips can cut through the insulating sleeve and cause problems which cannot occur with an insulating NYLON clip.

The good mechanical properties of NYLON are well known and these clips are particularly suitable where vibration is involved.



No.	Can Diameter	A	B	C	D	E	G
EP0881 - P	25.0	49.0	37.0	25.0	4.0	4.7	2.5
EP9001 - P	30.0	54.0	42.2	25.0	4.0	4.7	2.5
EP0882 - P	35.0	57.5	46.0	25.0	4.0	4.7	2.5
EP0880 - P	40.0	60.0	52.0	25.0	4.0	4.7	2.5
EP0884 - P	45.0	68.0	56.0	25.0	4.0	4.7	2.5
EP0885 - P	50.0	74.0	62.0	25.0	4.0	4.7	2.5

## X-ON Electronics

Largest Supplier of Electrical and Electronic Components

*Click to view similar products for [lcr manufacturer](#):*

Other Similar products are found below :

[MR/P/440/5/C FP013](#) [MR/P/440/10/C 423663E FP006](#) [EXFS/HR 1000PF +/- 1%](#) [MR/P/440/4/C](#) [MR/P/440/6/B](#) [EXFS/HR 2200PF +/- 1%](#)  
[FP005](#) [EP0880-PNF](#) [FSCEX 22000PF 1%63V](#) [EP0884/P](#) [PC/HV/S/WF 100NF 1.5KV](#) [MR/P/440/8/C](#) [MR/P/440/3/C](#) [PC/HV/S/WF 220NF](#)  
[1KV](#) [LCR/0.01/1500/20](#) [DF2](#) [EP0885-PNF3](#) [EP0881-PNF](#) [MR/P/440/2/B](#) [MR/P/440/8/B](#) [MR3/420B 3UF/440VAC](#) [EP0886-PNF3](#) [FSCEX](#)  
[6800PF 1%160V](#) [MR4/420B 4UF/440VAC](#) [EP0887-PNF3](#) [EP0882/P](#) [MR/P/440/2/C](#) [FSC 160V 56PF](#) [EP0882-PNF](#) [FSCEX 510PF 1% 630V](#)  
[MR10/420B 10UF/440VAC](#) [PC/HV/S/WF 47NF 1KV](#) [FSCEX 3000PF 1%160V](#) [PC/HV/S/WF 2.2NF 1KV](#) [FSCEX 8200PF 1%160V](#) [V1004](#)  
[FSC 160V 3300PF](#) [PC/HV/S/WF 10NF 1.5KV](#) [FSCEX 200PF 1% 630V](#) [EXFS/HR 6800PF +/- 1%](#) [FS/CEX 5600PF 1%160V](#) [EXFS/HR](#)  
[220PF +/- 1%](#) [FSCEX 300PF 1% 630V](#) [FSCEX 7500PF 1%160V](#) [FSCEX 2000PF 1%160V](#) [FSCEX 5100PF 1%160V](#) [FSCEX 1200PF](#)  
[1%160V](#)