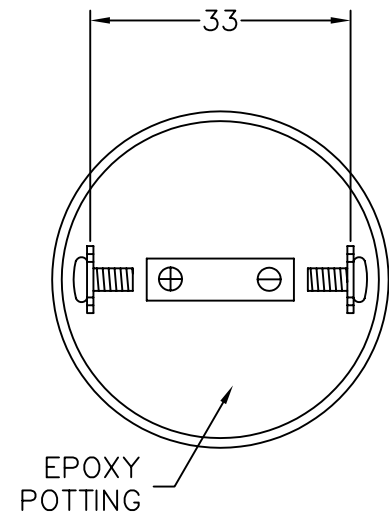
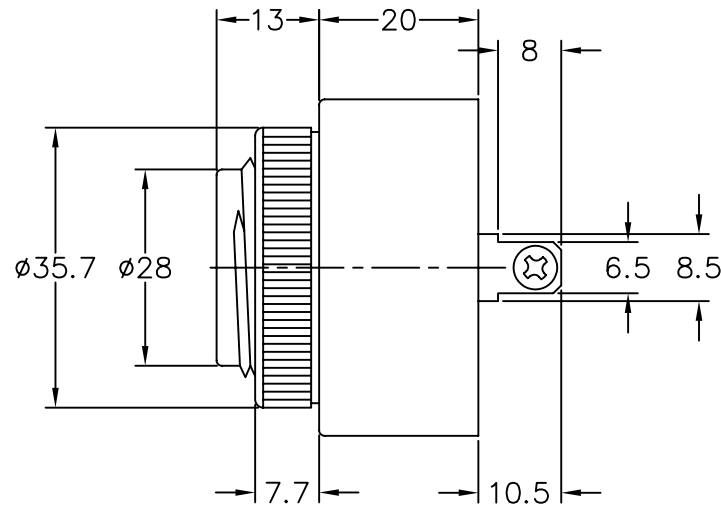
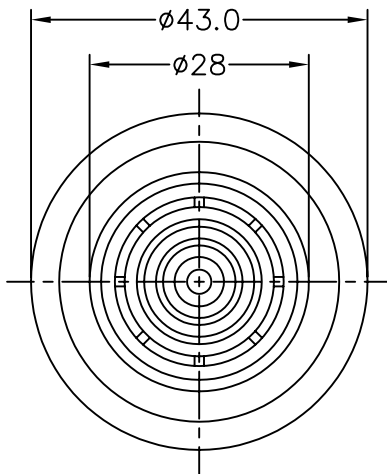


THIS DOCUMENT CONTAINS DATA PROPRIETARY TO PROJECTS UNLIMITED, INC. ANY USE OR REPRODUCTION, IN ANY FORM, WITHOUT PRIOR WRITTEN PERMISSION OF PROJECTS UNLIMITED, INC. IS PROHIBITED.  
© 2005, Projects Unlimited Inc.

### SPECIFICATIONS

PARAMETERS	VALUES	UNITS
RATED VOLTAGE	12	Vdc
OPERATING VOLTAGE RANGE	6 ~ 28	Vdc
RATED CURRENT (MAX)	6	mA
MINIMUM SPL @ 10 CM	88	dBA
RESONANT FREQUENCY	2900±500	—
TONE OR PULSE RATE	FAST	3.2 PULSE PER SECOND
OPERATING TEMPERATURE	-20 ~ +60	°C
STORAGE TEMPERATURE	-30 ~ +70	°C
HOUSING MATERIAL	ABS	—
TERMINAL MATERIAL	Ni PLATED BRASS	—
WEIGHT	43	grams

REVISIONS			
LTR	DESCRIPTION	DATE	APPROVED
-	RELEASED FROM ENGINEERING	3/22/06	



NOTES:

1. ALL DIMENSIONS ARE IN MILLIMETERS.
2. SPECIFICATION SUBJECT TO CHANGE OR WITHDRAWAL WITHOUT NOTICE.
3. THIS PART IS RoHS 2002/95/EC COMPLIANT

FILE NAME  
AI-4329-P-FP28-R.DWG

UNLESS OTHERWISE SPECIFIED:  
DIMENSIONS ARE IN MILLIMETERS, TOLERANCES ARE ±0.5 AND ANGLES ARE ±3°.

APPROVALS	DATE
DRAWN <i>TG</i>	3/06
CHECKED <i>BR</i>	3/06
APPROVED <i>EP</i>	3/06

DO NOT SCALE DRAWING



projects®  
unlimited

Dayton, Ohio

## INDICATOR

SIZE  
A

DRAWING NO.  
AI-4329-P-FP28-R

SCALE: N.T.S.

SHEET 1 OF 1

## **X-ON Electronics**

Largest Supplier of Electrical and Electronic Components

*Click to view similar products for [projects unlimited](#) manufacturer:*

Other Similar products are found below :

[SMT-0727-S-R](#) [AW-15SBW](#) [AI-383](#) [AI-3245-TF-LW95-R](#) [AI-4328-P-FP250-R](#) [AOM-4540L-R](#) [AI-4329-P-FP28-R](#) [X-4035-TFL-LW140-R](#)  
[X-4032-TF-LW105-R](#) [POM-5242P-R](#) [ADS02908MR-R](#) [AT-2440-TWT-R](#) [AT-1620-TWT-12V-R](#) [AST-03032MR-R](#) [POM-1644P-NF-R](#) [AI-550](#) [AT-1438-TWT-R](#) [AS01308MR-LW10](#) [TOM-1545P-R](#) [AST-030C0MR-R](#) [ADS02008MR-R](#) [AOM-6738L-R](#) [ROM-2238P-NF-R](#) [AT-1220-TWT-5V-R](#) [POM-3044P-R](#) [AT-1620-TWT-R](#) [AI-4228-TWT-R](#)