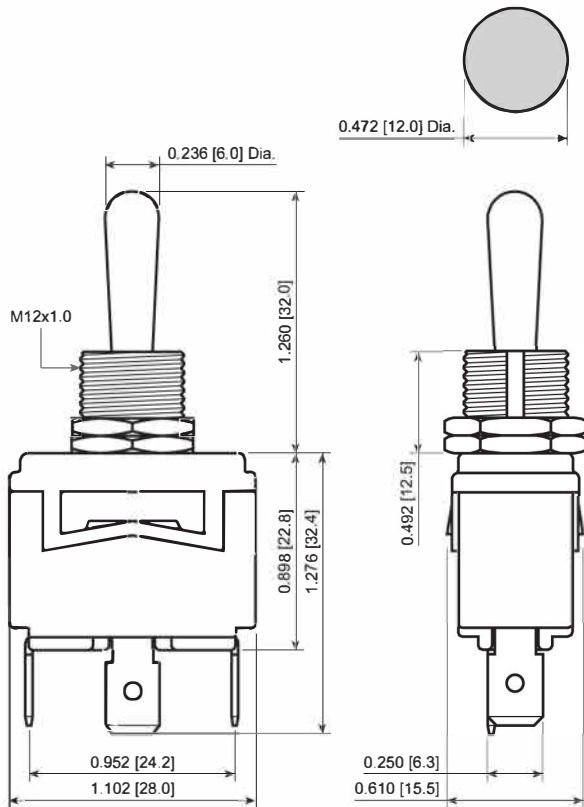


# ST1 Series

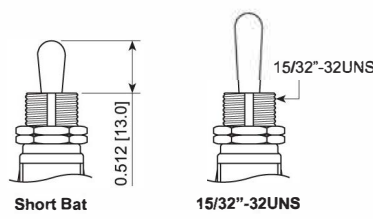


TOGGLE

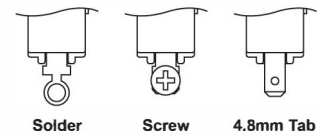
### Panel Cutout



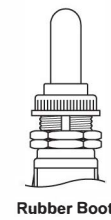
### Actuator Options Bushing Options



### Terminal Options



### Water Protection Options



### FEATURES:

- Heavy Duty Rating with UL Approvals
- Many Functions Available
- Tab, Screw, and Solder Terminal Options
- Rubber Boot for Water and Dust Protection

### SPECIFICATIONS:

**RATING: MAINTAINED SWITCHES:**  
 20A 125VAC [cULus]  
 15A 250VAC [cULus]  
 2HP 125-250VAC [cULus]

**MOMENTARY SWITCHES:**  
 20A 125VAC [cULus]  
 15A 250VAC [cULus]  
 1.5HP 125-250VAC [cULus]

**TEMPERATURE:** -20°C to 85°C  
**ELECTRICAL LIFE:** 6,000 Cycles  
**CONTACT RESISTANCE:** 50mΩ Max.  
**INSULATION RESISTANCE:** 800MΩ Min. at 500VDC  
**DIELECTRIC STRENGTH:** 1,500VAC for 1 Minute

### MATERIALS:

**Body:** Phenolic, UL94 V-0  
**Actuator:** Nickel Plated Brass  
**Bushing:** Nickel Plated Brass  
**Housing:** Stainless Steel  
**Contacts:** Silver Alloy  
**Terminals:** Silver Plated Brass

Series	Terminal	Function	Rating	Actuator Type	Bushing Type
ST1 - 1 Pole	1 - 4.8mm Tabs 2 - Solder 4 - 6.3mm Tabs 6 - Screw	1 Pole: 1 - Off-On 3 - On-On 4 - Off(On), Middle-End 5 - On-Off-On C - On-Off(On) D - (On)-Off-(On)	D - 20A 125VAC	0 - Standard Bat 1 - Short Bat	0 - M12x1.0 2 - 15/32"-32UNS
Variable Length: Wxx - Wire Leads (xx in Inches)					



ST161D10



Accessories Series	Type	Options
ACC	Rubber Boot: B03 - For Standard Bat	Colors for Boot: 2 - Black
	Hardware N02 - Knurled Nut	Threading: 3 - 15/32"-32UNS 5 - M12x1.0

### EXAMPLE PART NUMBERS:

ST121D00	1P Off-On Standard Actuator/Bushing, Solder
ST123D00	1P On-On Standard Actuator/Bushing, Solder
ST124D00	1P Off-(On) Standard Actuator/Bushing, Solder
ST125D00	1P On-Off-On Standard Actuator/Bushing, Solder
ST12DD00	1P (On)-Off-(On) Standard Actuator/Bushing, Solder
ST141D00	1P Off-On Standard Actuator/Bushing, 0.250" QC
ST143D00	1P On-On Standard Actuator/Bushing, 0.250" QC
ST144D00	1P Off-(On) Standard Actuator/Bushing, 0.250" QC

## X-ON Electronics

Largest Supplier of Electrical and Electronic Components

*Click to view similar products for [Toggle Switches](#) category:*

*Click to view products by [E-Switch](#) manufacturer:*

Other Similar products are found below :

[8A1-C-222](#) [60012L](#) [6006L](#) [6663](#) [7101MD9V30GE](#) [7101SPDV30BE](#) [7103SDV30BE](#) [7105D](#) [7108P3YAV2BE](#) [71YY50282](#)  
[7201MD9AVBE](#) [7301K38](#) [7306K36](#) [7310K36](#) [7314K36](#) [7506K4](#) [7592K6](#) [7691K14](#) [7700K1](#) [8396K108](#) [8824K14](#) [8828K13](#) [G2VX](#) [G3VX](#)  
[PS83-121G](#) [A101MD9AB04](#) [A101SD9AB04](#) [A101SDCQ04](#) [A103SD9AQ04](#) [A107TZB04](#) [A123P32YZQ](#) [A123S1YZG](#) [A127S1YCQ](#) [1-](#)  
[1825192-0](#) [A131S1YZQ](#) [A201SCWZB04](#) [A207SYCB04](#) [A208J61ZQ0004](#) [A221K12KAG](#) [A221S1YZQ](#) [A221T1TCQ](#) [A232K12KZQ](#)  
[A232M1YCQ](#) [A323S1CWZQ](#) [A423S1CWZG-M8](#) [A423S1YZQ](#) [12149A-3V](#) [12156AX408](#) [12147AGKX679](#) [12149AD2G0383VX408](#)