

# Ethernet IoT pluggable module

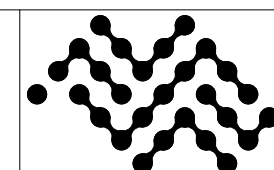
SHEET 1 TABLE OF CONTENTS

SHEET 2 LAN9500 and IoT connector

## REFERENCE

1600687 PCA, ETHERNET IoT, PLUGGABLE MODULE  
1401092 PCB, ETHERNET IoT, PLUGGABLE MODULE

This document contains information which is proprietary and confidential to Sierra Wireless Inc. Disclosure to Persons other than the officers, employees, agents or subcontractors of the company or licensee of this document without the prior written permission of Sierra Wireless Inc. is strictly prohibited.  
Copyright (C) 2014

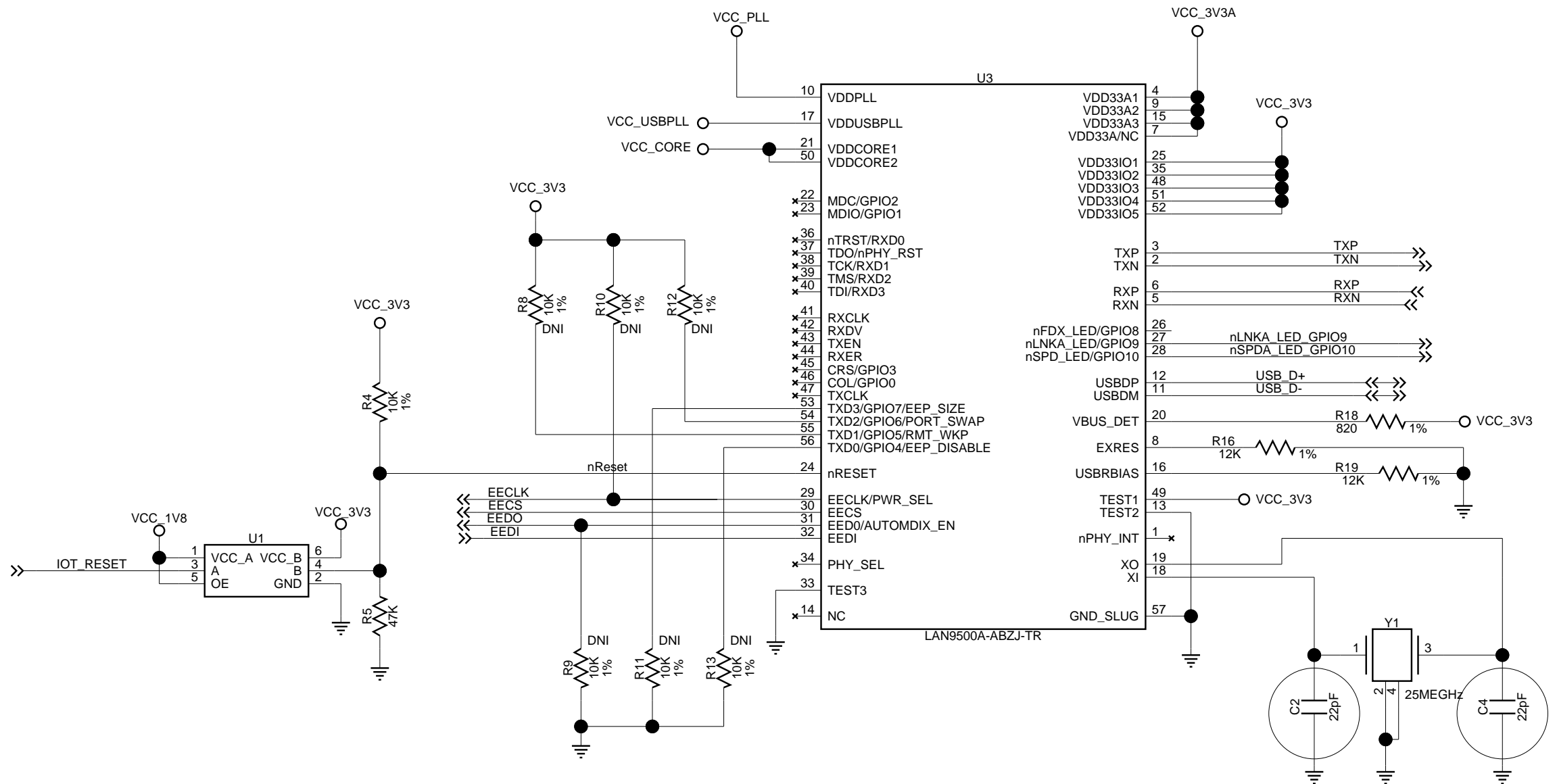


**SIERRA WIRELESS™**

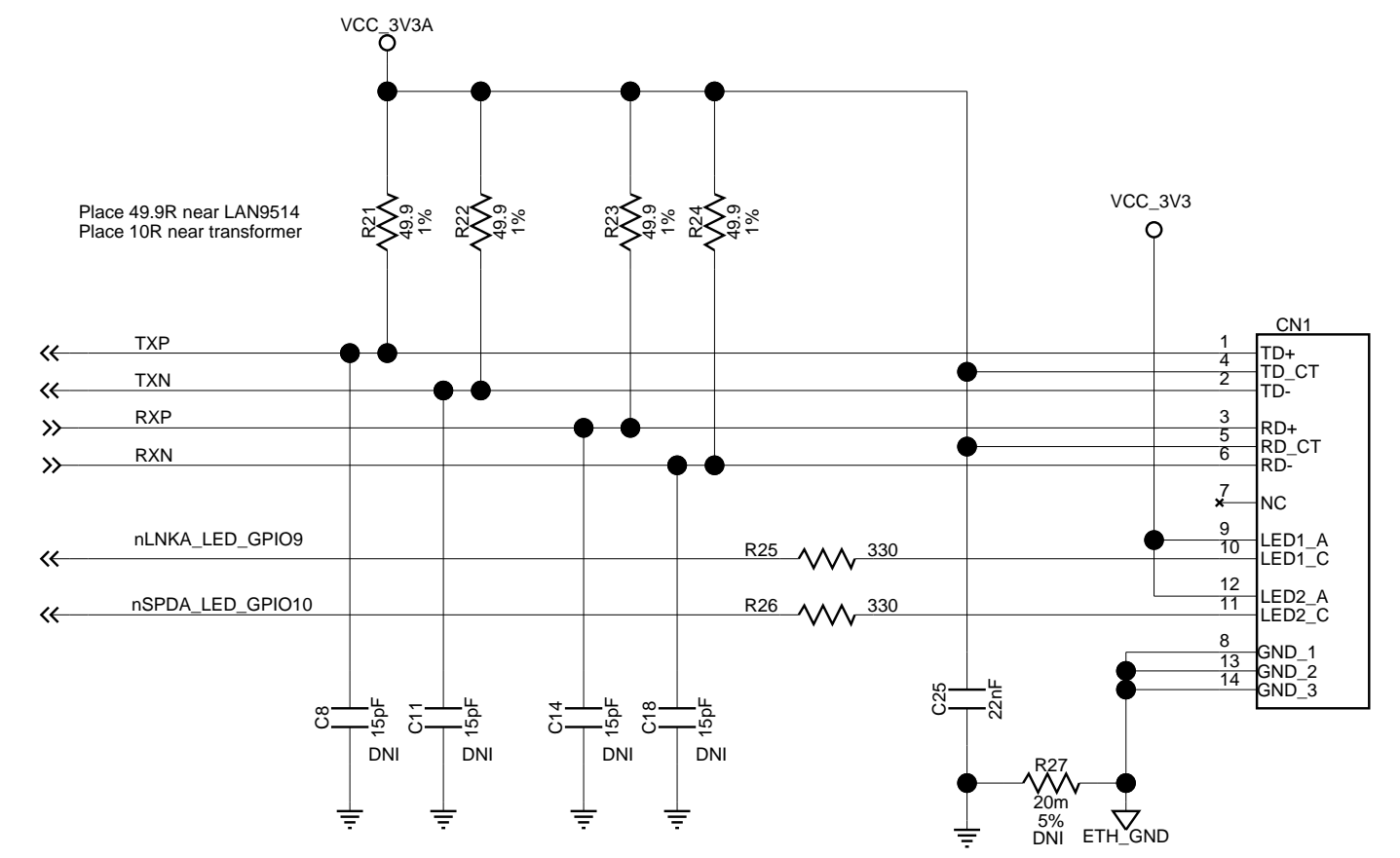
PROJECT	ETHERNET IoT PLUGGABLE MODULE	
SCHMATIC	2500931_1	

SITE	<CTO Office>	
LEAD ENGINEER	M. Tozzini	
REV SCH	1	REV PCB 1
DATE/TIME	14-2-2015_12:07	
PAGE	1 OF 2	

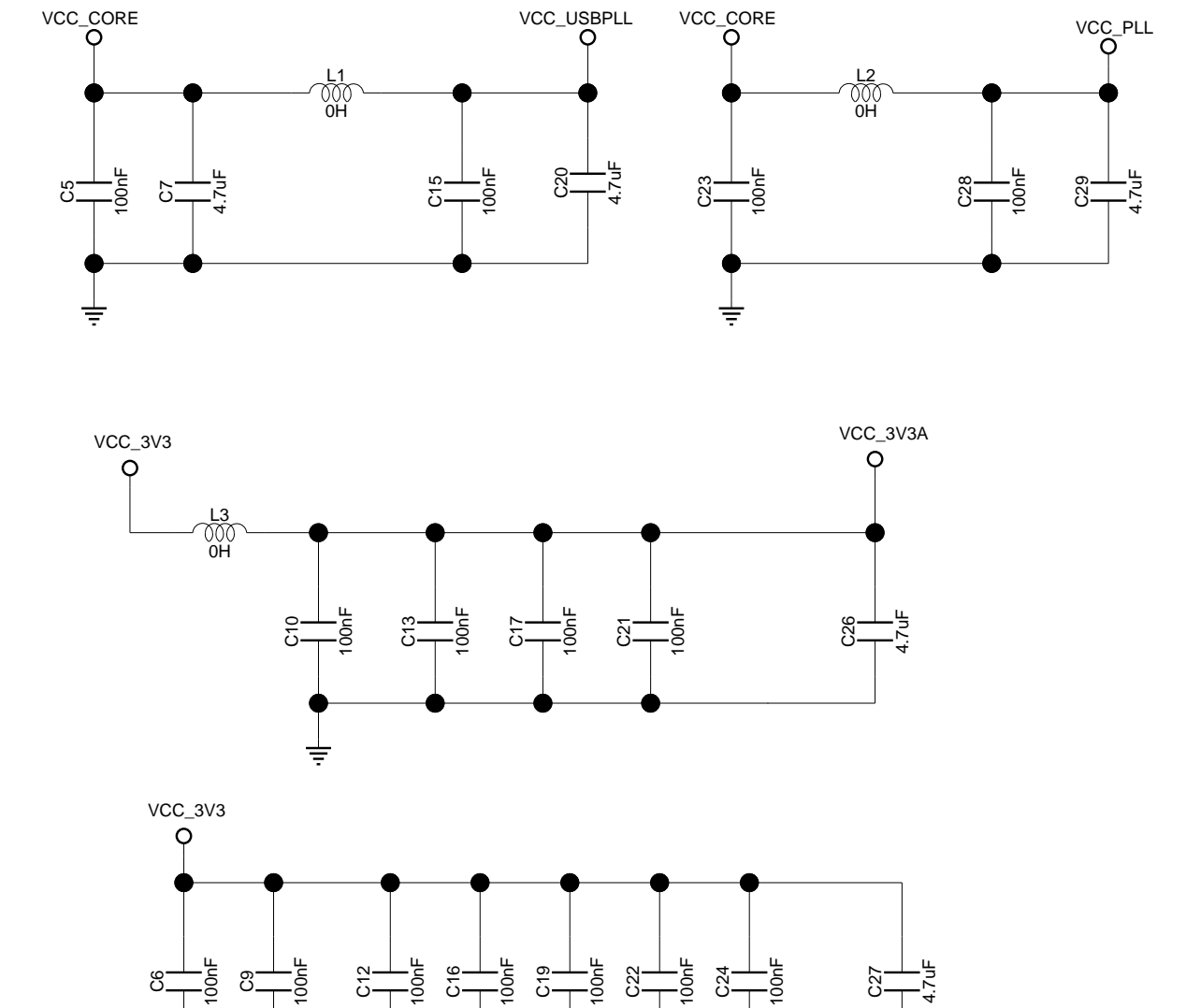
# LAN9500A



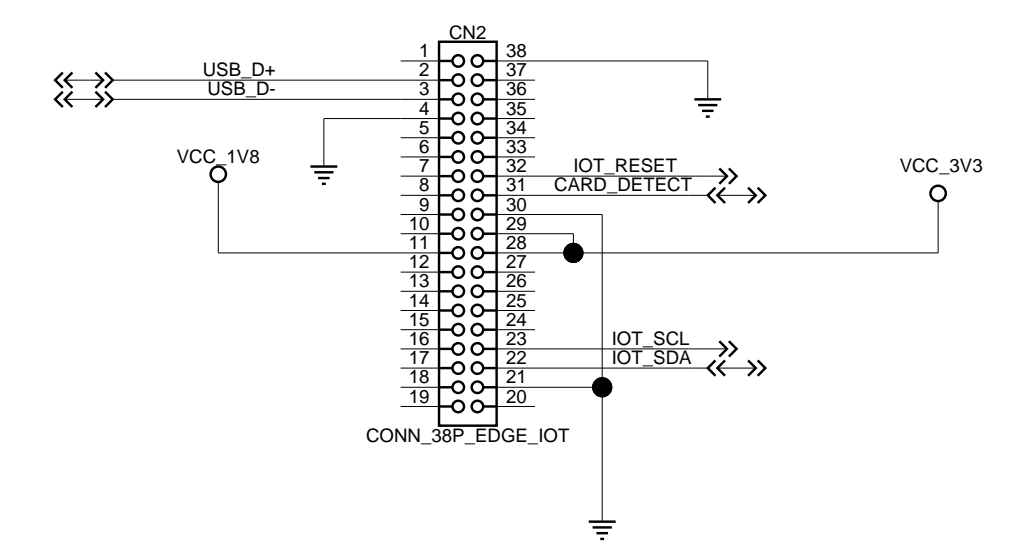
# ETHERNET JACK



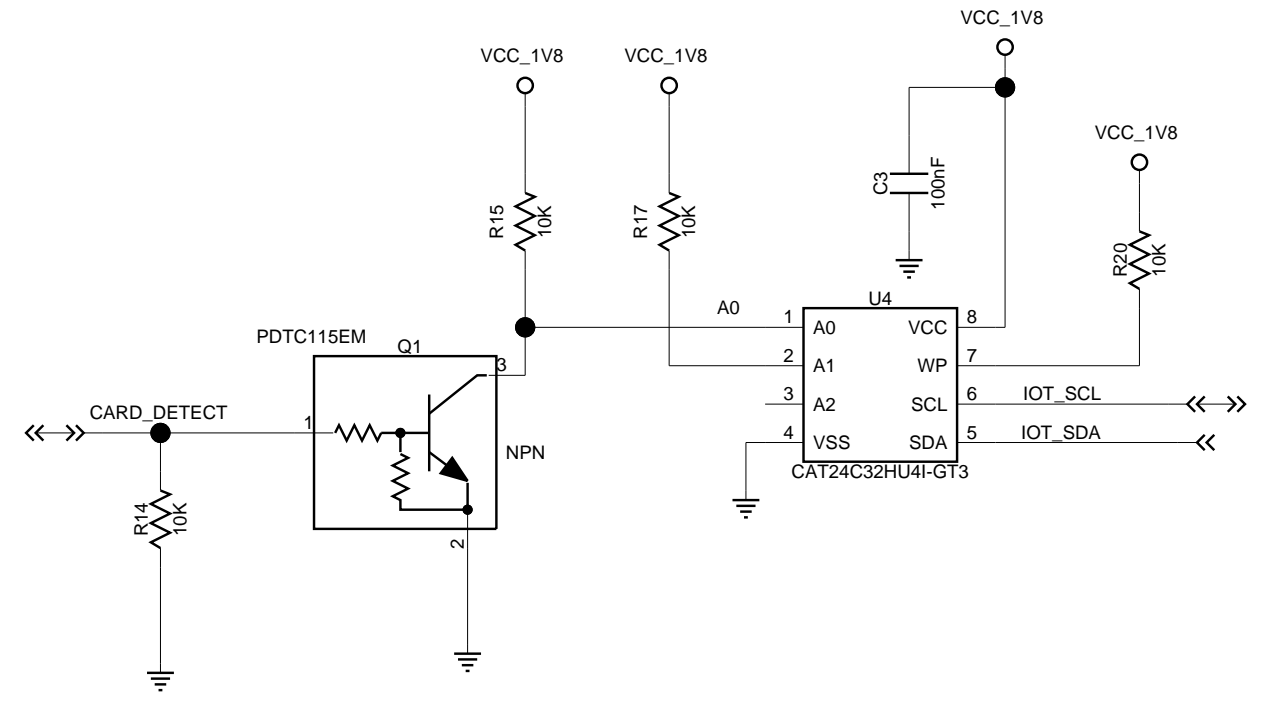
# Power Filtering



# IoT Card Edge conn.



# IoT Module ID



<p>This document contains information which is proprietary and confidential to Sierra Wireless Inc. Disclosure to Persons other than the officers, employees, agent or subcontractors of the company or licensee of this document without the prior written permission of Sierra Wireless Inc. is strictly prohibited. Copyright (C) 2014</p>			<p>SITE &lt;CTO Office&gt; LEAD ENGINEER M. TOZZINI</p>	
<p>PROJECT SCHEMATIC</p>			<p>REV SCH 4 1 REV PCB 1</p>	
<p>ETHERNET IoT PLUGGABLE MODULE</p>			<p>DATE TIME REV 24-2016_14:15</p>	
<p>2500931_1</p>			<p>PAGE 2 OF 2</p>	

## **X-ON Electronics**

Largest Supplier of Electrical and Electronic Components

*Click to view similar products for [sierra manufacturer](#):*

Other Similar products are found below :

[Q52-DK](#) [XA1110-EVK](#) [FX30](#) [DPY102223/5](#) [BX3105 DEV KIT-6001182](#) [XA1100-EVK](#) [XM1100-EVK](#) [MANGO-H-GREEN-STARTER-KIT](#) [BX3100 DEV KIT-6001146](#) [XA1110 DEV KIT-6001184](#) [MANGO-H-GREEN-BOARD-ONLY](#) [HL SNAP-IN TOOL](#) [WP8548\\_1103552](#)  
[HL6528RD-2.8V 1103167](#) [MC7430](#) [WP7502](#) [HL6528RD-G 1103166](#) [WP SNAP-IN COVER](#) [WP8548](#) [HL6528RD](#) [WP7504](#)  
[HL6528\\_1102464](#) [HL6528RD-2.8V](#) [HL7588-ATT](#) [WP SNAP-IN BASE](#)