

THIS DRAWING IS UNPUBLISHED.

RELEASED FOR PUBLICATION

20

© COPYRIGHT 20

TE

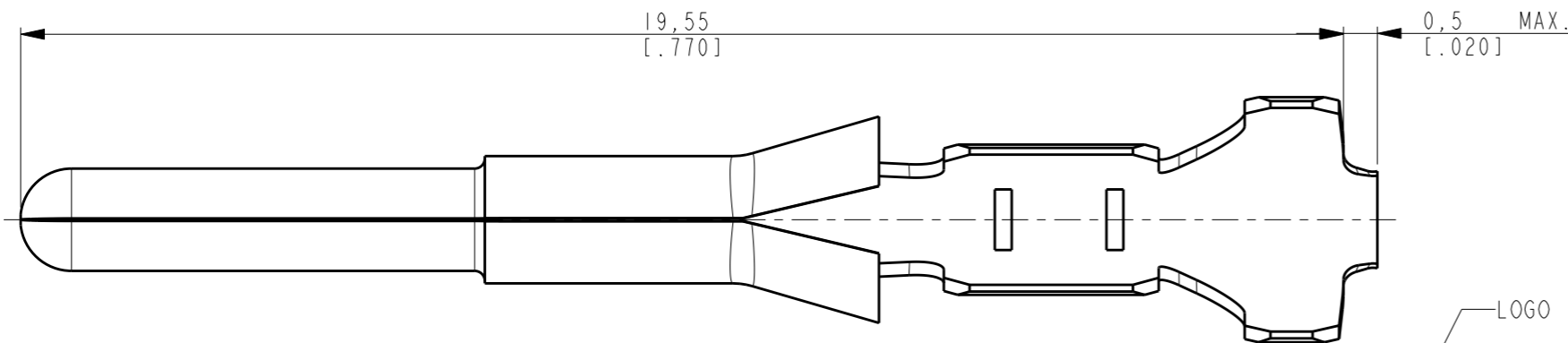
ALL RIGHTS RESERVED.

LOC
AP

DIST
-

REVISIONS

P	LTR	DESCRIPTION	DATE	DWN	APVD
	J	REV. ECO-11-020077	18OCT2011	HC	WLS

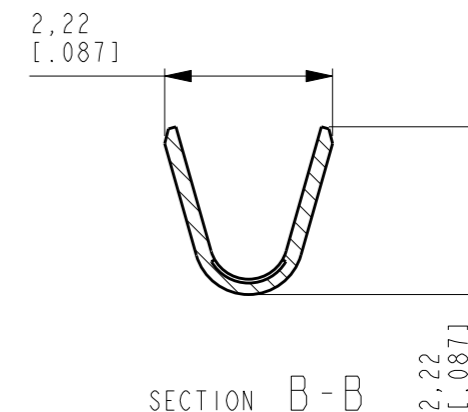
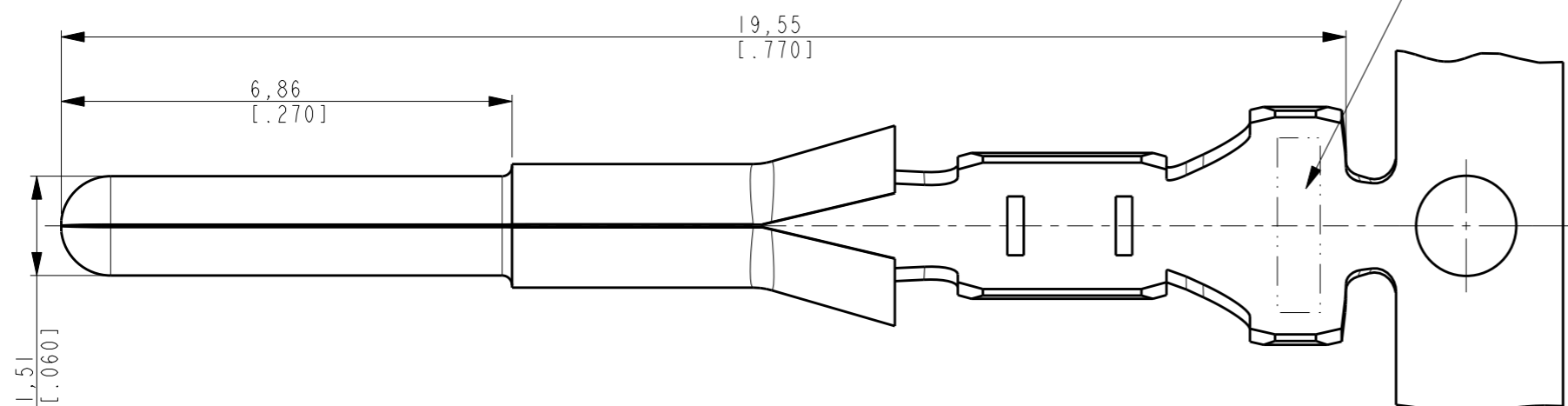


AFTER CUTOFF

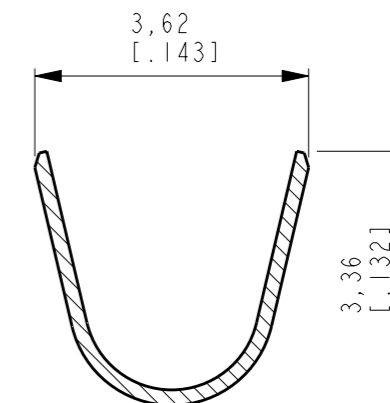
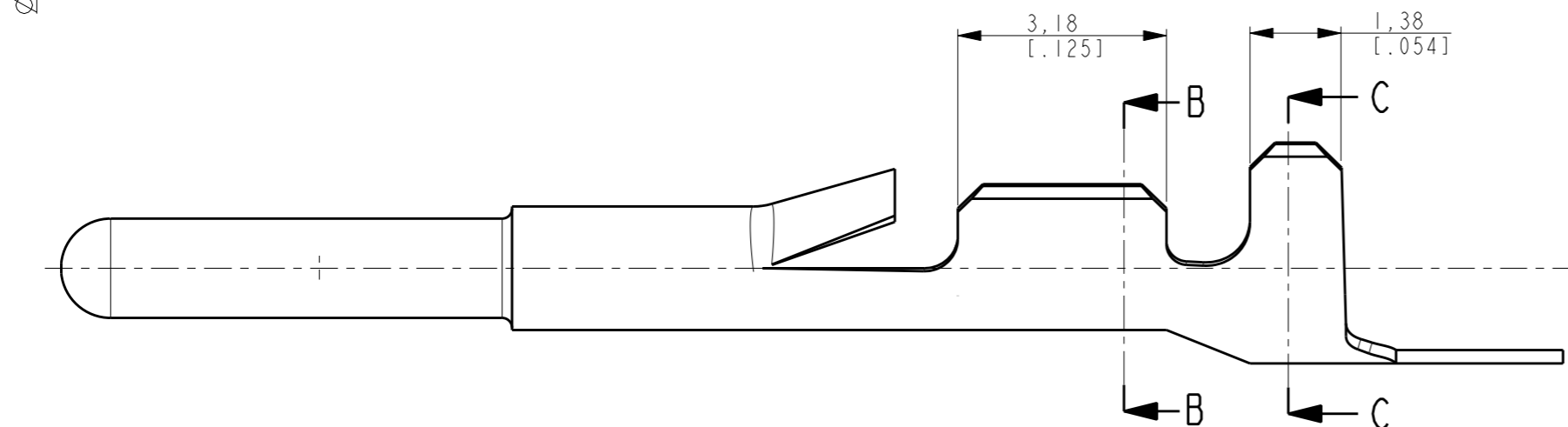
LOGO

NOTES:

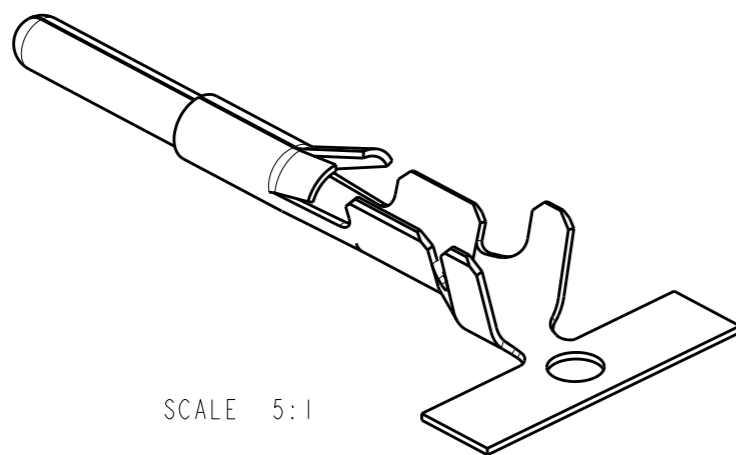
△ WIRE RANGE #22 TO #18 AWG; INSULATION RANGE 1,5 mm TO 2,8 mm [0.060 TO .100 INCH]



SECTION B-B



SECTION C-C



SCALE 5:1

FINISH	MATERIAL	DESCRIPTION	PARTNUMBER
POST TIN OVER NICKEL	BRASS	LOOSE PIECE	61121-1
PRE-TIN	BRASS	STRIP PRODUCT	61062-3
PRE-TIN OVER NICKEL	BRASS	STRIP PRODUCT	61062-1

THIS DRAWING IS A CONTROLLED DOCUMENT.

DIMENSIONS:
mm [inch]

TOLERANCES UNLESS OTHERWISE SPECIFIED:

- 0 PLC ±-
- 1 PLC ±-
- 2 PLC ±0,31(.012)
- 3 PLC ±-
- 4 PLC ±-
- ANGLES ±2°

MATERIAL -

FINISH -

DWN 11NOV2009
H.C.CANTERI

CHK 12NOV2009
W.L.STEFANI

APVD -

PRODUCT SPEC -

APPLICATION SPEC -

WEIGHT -

CUSTOMER DRAWING



TE Connectivity

NAME
.060 COMBOLINE PIN

SIZE A3 CAGE CODE 00779 DRAWING NO C-61062 RESTRICTED TO -

SCALE 10/11 SHEET 1 OF 1 REV J

X-ON Electronics

Largest Supplier of Electrical and Electronic Components

Click to view similar products for te connectivity manufacturer:

Other Similar products are found below :

[570416-000](#) [CLTEQ-M81CE-SSRELAY-4-20V](#) [4-1633138-8](#) [D38999/24FJ4AN](#) [4-1195131-0](#) [650069-000](#) [SMD100-2](#) [2EDL4CM](#)
[DTS20W19-11PD-3028](#) [DTS20W19-11PD-3028-LC](#) [DTS20W19-32SD-3028-LC](#) [DTS20W19-32SD-3028](#) [NC6-P104-06](#) [TXR64AB90-](#)
[3616AI](#) [DTS26F21-41HE](#) [DTS26F21-41AE](#) [DTS26F21-41PE-LC](#) [DTS26F21-11SE-3028-LC](#) [D38999/24WF32JE](#) [D38999/24WF32SE-LC](#)
[DTS24W19-32HE](#) [5-2027513-8](#) [D38999/20JB35HA](#) [D38999/24WJ20PA](#) [164-8033-08](#) [D38999/24FF32JE](#) [D38999/24FF32SE-LC](#)
[D38999/24WF32JB](#) [D38999/24WG11HA](#) [D38999/24WG11HN](#) [MS27467T21F11H](#) [DJT16E21-11HA](#) [DTS24F19-32HE](#) [1-532955-3](#)
[DTS20W19-32SA-3028-LC](#) [DTS24F19-11SC-3028-LC](#) [DTS24F19-11SC-3028](#) [DJT14E13-98HB](#) [D38999/20WC8BB](#) [1-330599-5](#)
[DTS24F21-41HN-LC](#) [DTS24F21-41HN](#) [DTS24F21-41AN](#) [DTS24F21-39HN](#) [DTS24F21-41PN-LC](#) [AFD50-10-6SN-1A-LC](#) [DBAS 70-7-0](#)
[SN 090-1A SCC](#) [DJT10F17-26HC](#) [DTS24W19-32HB](#) [ACT20JE99HA](#)