

## Empty housings

### EG 1 housing

are 18 mm wide and offer 4 screw connections. They also have up to 4 solder/flat push-on lugs 0.8 x 2.8 mm or 0.8 x 4.8 mm. Inside the enclosure, the busbar or screw terminal ends with a solder eyelet. Two end plates close the module. The modules are fitted in rows on mounting rail TS 32, TS 35 x 7.5 or TS 35 x 15, depending on the type.

### EG 2 housing

have the same outer contour as type EG 1. The PCBs, equipped with 4 screw or up to 8 spade connectors 0.8 x 6.3 mm or 0.8 x 2.8 mm, are simply clipped into the enclosure, using mounting rails TS 32, TS 35 x 7.5 or TS 35 x 15.

### EG 3 housing

are 22.5 mm wide with 6 screw or 12 spade connectors 0.8 x 6.3 mm or 0.8 x 2.8 mm. As optional accessories, Weidmüller offers a contour PCB with 2.54 mm hole matrix or completely copper-coated. The clip-on combination foot is ideal for mounting in rows on mounting rail TS 32, TS 35 x 7.5 or TS 35 x 15. The enclosure can be fixed directly using mounting plate MPL (without mounting rail). Thanks to the push-on foot design, the EG 3 housing enclosure can be turned at an angle of 180° for all kinds of assembly (e.g. for swapping input and output).

### EG 4 housing

offer the same width 22.5 mm as type EG 3. The greater depth of 75 mm and height of 109 mm allow more complex circuitry. The installed circuitry can be connected via 6 screw connectors. The clip-on combination foot is ideal for mounting in rows on mounting rail TS 32, TS 35 x 7.5 or TS 35 x 15. Thanks to the push-on foot design, the EG 4 housing enclosure can be shifted 6 mm forwards or back from the clip-on foot position, turned at an angle of 180°, then refitted (e.g. for swapping input and output).

### EG 5 housing

have the same outer dimensions as type EG 4. Type EG 5 has 12 screw connections wired with solder eyelets inside the enclosure. The clip-on combination foot is ideal for mounting in rows on mounting rail TS 32, TS 35 x 7.5 or TS 35 x 15. Thanks to the push-on foot design, the EG 5 housing enclosure can be shifted 6 mm forwards or back from the clip-on foot position, turned at an angle of 180°, then refitted (e.g. for swapping input and output).

### EG 6 housing

have a bus-compatible contact carrier. The bus connection is achieved by abutting several enclosures in a row. 32 connections on either side of the enclosures act as spring-type strip contacts. The enclosure can accommodate a PCB measuring 100 x 120 mm. The PCB is adapted by a VG 64 DIN socket. The front plate is screwed to the PCB, like 19" systems. The clip-on foot allows easy assembly in rows on mounting rails TS 35 x 7.5 or TS 35 x 15.

### Individual components for RS 70 clip-in base

Any type of intermediate spacers or feet can be joined and clipped together between two side pieces (locking feet). This produces a holder module for a PCB to which various components can be soldered. The assembly can be clipped onto mounting rails TS 32, TS 35 x 7.5 or TS 35 x 15.

### Clip-in base profiles

Profiles RS 45, RS 80 and RS 100 are supplied as extruded profiles 2 m long. The extruded profiles can be easily cut to the required length, producing a holder module for a PCB to which individual components can be soldered. The locking feet are pushed into the profiles for clipping onto the mounting rails TS 32, TS 35 x 7.5 or TS 35 x 15. The push-on foot design of RS 80 lets the locking foot turn at an angle of 180°.

### DK 4 and DKT 4 terminals

are ideal for installation of electronic components with a maximum thickness of 4.5 mm. Up to 4 independent clamping yoke screw connections are available. A clip-on frame extends the installation space of DK 4 by 6 mm. The terminals will fit on mounting rails TS 32, TS 35 x 7.5 or TS 35 x 15, depending on type.

### WDK 2.51 terminals

are ideal for installation of electronic components with a maximum thickness of 4 mm. 4 independent clamping yoke screw connections or 4 spade connectors 6.3 x 0.8 mm are available. The terminals will fit on mounting rails TS 35 x 7.5 or TS 35 x 15.

## Housings

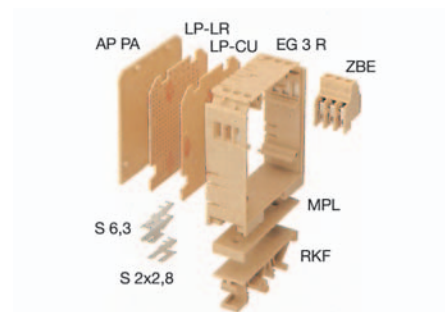
### EG

An EG3 housing consists of:

- 1 housing frame,
- 1 combination foot or 1 mounting plate,
- 1 to 2 clamping yoke units,
- 2 end plates.

Connection tab push-on lugs are available if required.

### EG 3



The fixing in combination foot or the mounting plate allows the housing to be mounted on the rail or directly.

### Technical data

#### General data

Dimensions W x L x H (w. TS35 x 7.5)	mm	22.5 / 58 / 91
Dimensions W x L x H (w. TS32)		22.5 / 58 / 95
No. of connections	total	6
	left / right / top	3 / 3

Access for calibration

Shielding

Contact to the mounting rail

Max. power loss

Number of PCB per module

PCB-connection

Thickness of PCB

Class of protection

Tightening torque range

Stripping length

Pollution severity

Flammability class acc. UL94

Colour of insulating material

#### Clampable conductors (H05V/H07V)

Solid

Flexible

Max. conductor AWG

Plug gauge to 60947-1

22.5 / 58 / 91

22.5 / 58 / 95

6

3 / 3

not available

-

1.5 W

1

soldered connection, via wire

1.0 (+ 0.2) mm

IP 20

0.4...0.8 Nm

2

V2

beige

#### Clamp. yoke connection

0.5...4

0.5...2.5

...

#### Information

### Ordering data

#### Individual parts

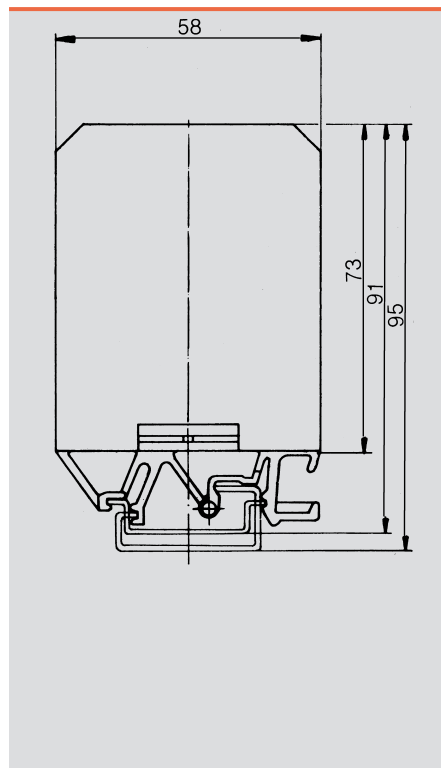
<b>Housing frame</b>	without foot	
	w. foot for TS35	
	w. foot for TS32	
<b>Locking combination foot</b>		
<b>Mounting plate for direct mounting</b>		
<b>End plate</b>		
<b>Clamp. yoke unit</b>	right	
	left	
<b>Intermediate plate</b>		
<b>Connection spigot</b>		
<b>Flat connector lug</b>	0.8 x 6.3mm	
	2 x 0.8 x 6.3mm	
	0.8 x 2.8mm	
	0.8 x 4.8mm	

#### Information

### Accessories

Type	Qty.	Order No.
GH EG3 A.1 M.1 BOHR. BE	25	0163960000
RKF EG3 BE	20	0163860000
MP EG3/DB BE	50	0158560000
AP EG3	20	0133760000
ZBE EG 3	50	0138360000
ZBE EG 3	50	0138360000
VBZA F.EG	50	0510260000
STECKERFAHNE EG 35/2	100	0496100000
STFA EG3	50	0163500000

Type	Qty.	Order No.
------	------	-----------



## Housings

### EG

An EG4 housing consists of:

- 1 housing frame,
- 1 combination foot or 1 mounting plate,
- 1 to 2 clamping yoke units,
- 2 end plates.

Larger housing are easily assembled: the intermediate plate (ZP) and the connection spigot (VZ) enable 2 or more housing to be mechanically joined together. The ZP joins together the housing frames in the area of the clamping yoke unit and the VZ the housing frames at the bottom of the frame. The fixing in combination foot or the mounting plate allows the housing to be mounted on the rail or directly.

### Technical data

#### General data

Dimensions W x L x H (w. TS35 x 7.5)	mm	22.5 / 75 / 109
Dimensions W x L x H (w. TS32)		22.5 / 75 / 113
No. of connections	total	6
	left / right / top	3 / 3

Access for calibration

Shielding

Contact to the mounting rail

Max. power loss

Number of PCB per module

PCB-connection

Thickness of PCB

Class of protection

Tightening torque range

Stripping length

Pollution severity

Flammability class acc. UL94

Colour of insulating material

#### Clampable conductors (H05V/H07V)

Solid

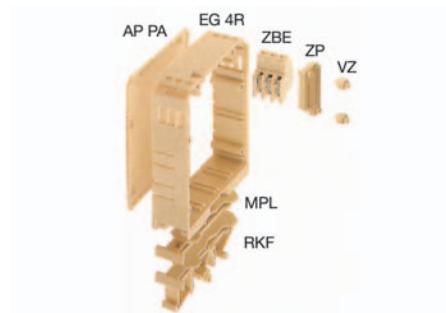
Flexible

Max. conductor AWG

Plug gauge to 60947-1

#### Information

### EG 4



Dimensions W x L x H (w. TS35 x 7.5)	mm	22.5 / 75 / 109
Dimensions W x L x H (w. TS32)		22.5 / 75 / 113
No. of connections	total	6
	left / right / top	3 / 3

Access for calibration

Shielding

Contact to the mounting rail

Max. power loss

Number of PCB per module

PCB-connection

Thickness of PCB

Class of protection

Tightening torque range

Stripping length

Pollution severity

Flammability class acc. UL94

Colour of insulating material

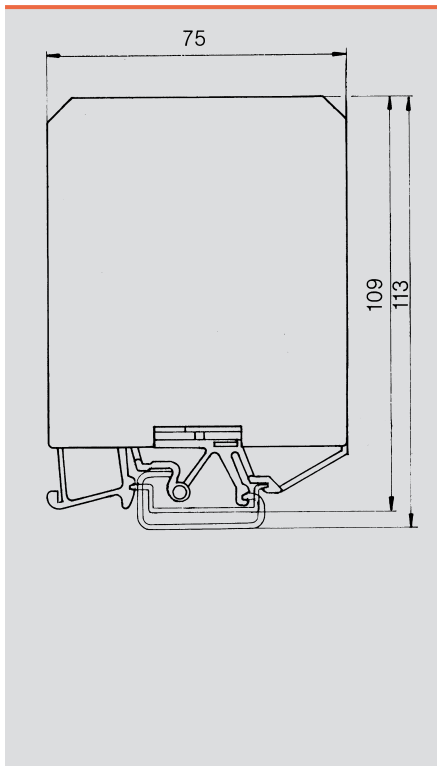
#### Clamp. yoke connection

0.5...4

0.5...2.5

22 AWG...12 AWG

#### Information



### Ordering data

#### Individual parts

<b>Housing frame</b>	without foot	
	w. foot for TS35	
	w. foot for TS32	
<b>Locking combination foot</b>		
<b>Mounting plate for direct mounting</b>		
<b>End plate</b>		
<b>Clamp. yoke unit</b>	right	
	left	
<b>Intermediate plate</b>		
<b>Connection spigot</b>		
<b>Flat connector lug</b>	0.8 x 6.3mm	
	2 x 0.8 x 6.3mm	
	0.8 x 2.8mm	
	0.8 x 4.8mm	

#### Information

### Accessories

Type	Qty.	Order No.
GH EG4 A.1 O. BOHR.	20	1116560000
WECHSELFUSS F.EG 4+5	20	1116260000
MONTAGEPLATTE F.EG 4+5	50	1116360000
AP EG4	20	1116060000
ZBE EG 3	50	0138360000
ZBE EG 3	50	0138360000
ZP EG 32/EG 35	50	0453760000
VBZA F.EG	50	0510260000

Type	Qty.	Order No.
------	------	-----------

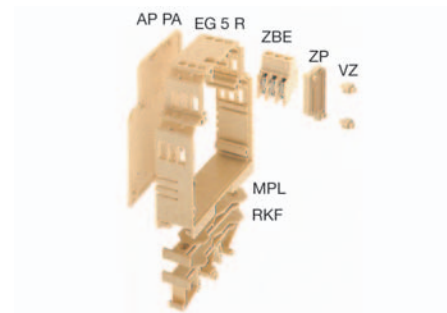
## Housings

### EG

An EG5 housing consists of:

- 1 housing frame,
- 1 combination foot or 1 mounting plate,
- 1 to 4 clamping yoke units,
- 2 end plates.

### EG 5



Larger housings are easily assembled: the intermediate plate (ZP) and the connection spigot (VZ) enable 2 or more housings to be mechanically joined together. The ZP joins together the housing frames at the bottom of the frame. The locking combination foot or the mounting plate allows the housing to be mounted on the rail or directly.

### Technical data

#### General data

Dimensions W x L x H (w. TS35 x 7.5)	mm	22.5 / 75 / 109
Dimensions W x L x H (w. TS32)		22.5 / 75 / 113
No. of connections	total	12
	left / right / top	6 / 6

Access for calibration

Shielding

Contact to the mounting rail

Max. power loss

Number of PCB per module

PCB-connection

Thickness of PCB

Class of protection

Tightening torque range

Stripping length

Pollution severity

Flammability class acc. UL94

Colour of insulating material

#### Clampable conductors (H05V/H07V)

Solid

Flexible

Max. conductor AWG

Plug gauge to 60947-1

not available

-

1,6 W

1

soldered connection, via wire

1.0 (+ 0.2) mm

IP 20

0.4...0.8 Nm

2

V2

beige

beige

beige

beige

beige

beige

beige

#### Clamp. yoke connection

0.5...4

0.5...2.5

22 AWG...12 AWG

#### Information

### Ordering data

#### Individual parts

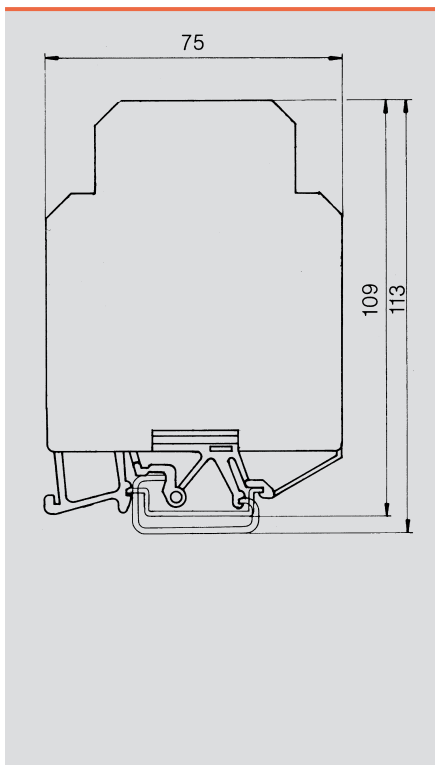
<b>Housing frame</b>	without foot	
	w. foot for TS35	
	w. foot for TS32	
<b>Locking combination foot</b>		
<b>Mounting plate for direct mounting</b>		
<b>End plate</b>		
<b>Clamp. yoke unit</b>	right	
	left	
<b>Intermediate plate</b>		
<b>Connection spigot</b>		
<b>Flat connector lug</b>	0.8 x 6.3mm	
	2 x 0.8 x 6.3mm	
	0.8 x 2.8mm	
	0.8 x 4.8mm	

#### Information

### Accessories

Type	Qty.	Order No.
GH EG5 A.1 O. BOHR.	20	1116860000
WECHSELFUSS F.EG 4+5	20	1116260000
MONTAGEPLATTE F.EG 4+5	50	1116360000
AP EG5	20	1116160000
ZBE EG 3	50	0138360000
ZBE EG 3	50	0138360000
ZP EG 32/EG 35	50	0453760000
VBZA F.EG	50	0510260000

Type	Qty.	Order No.
------	------	-----------



## X-ON Electronics

Largest Supplier of Electrical and Electronic Components

*Click to view similar products for [weidmuller](#) manufacturer:*

Other Similar products are found below :

[56956](#) [0133660000](#) [68676](#) [69718](#) [EXO24CH](#) [7940000218](#) [8005181001](#) [8008180000](#) [8432240000](#) [8463580000](#) [8545830000](#) [8689870000](#)  
[8705640000](#) [9001080000](#) [9003720000](#) [9004250000](#) [9004780000](#) [9013260000](#) [9014100000](#) [9019040000](#) [9026010000](#) [9028630000](#) [903708](#)  
[9037350000](#) [9046290000](#) [9129643500](#) [913155](#) [919656](#) [919764](#) [9202230000](#) [9202850000](#) [9204260000](#) [9456750000](#) [9457913000](#) [980811](#)  
[980826](#) [9912800003](#) [9916080000](#) [9916280012](#) [9918380000](#) [9919371224](#) [9925710000](#) [9926252005](#) [9927480024](#) [1166660000](#) [11751](#)  
[1222550000](#) [ACT20X-2HDI-2SDO-RNC-S](#) [ACT20X-HUI-SAO-S](#) [ACT20X-SAI-HAO-S](#)