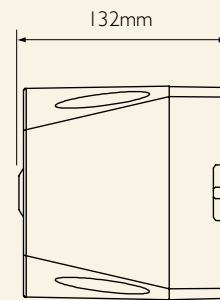
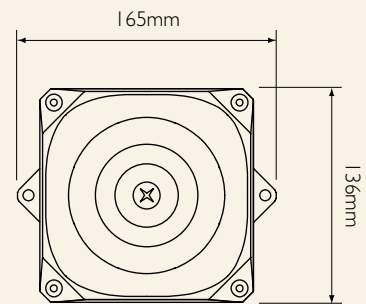


MIDI MULTI VOLT HIGH OUTPUT SOUNDER



The Asserta Midi Sounder is versatile, compact unit that has been designed for industrial environments or areas where there is a requirement for a physically robust and well protected alarm is required. A range of supply options permit use with a wide range of fire and process systems.

- 110dB(A) OR 120dB(A) OUTPUT VERSIONS AVAILABLE
- IP66 PROTECTION
- SIMPLE FIRST & SECOND FIX INSTALLATION
- 32 ALARM TONES
- 2 STAGE ALARM

Specification

Voltage	AC - 24Vac = 18 - 30Vdc AC - 230Vac = 115 / 230Vac DC = 9 - 60Vdc
Current	AC - 24Vac = 43mA (typ) AC - 230Vac = 22mA (typ) DC = 120mA (typ)
Output @ 1m	110dB(A)
Tones	32
Alarm Stages	2
Temperature	- 20°C to + 70°C
Construction	PC / ABS
IP Rating	IP66
Weight	0.8Kg
Colour	Red or Grey

X-ON Electronics

Largest Supplier of Electrical and Electronic Components

Click to view similar products for [fulleon](#) manufacturer:

Other Similar products are found below :

[SYHO/R](#) [1320-24](#) [ROLP/R/MAINS BASE](#) [FL/AL/W/S](#) [ROLP/SV/W/D](#) [CFB6D24](#) [FL/SV/AL/W/D](#) [531036FULL-0073](#) [FL/SV/RL/R/D](#)
[666156FULL-1101X](#) [ROLP/SV/R/S](#) [AP/W/SWITCHED/VC](#)