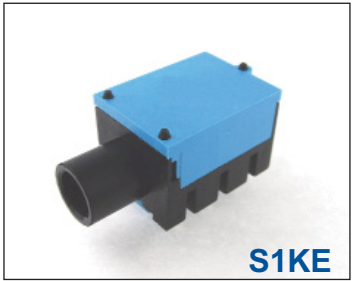


CLIFF

SEALED 1/4" MINI JACK MODEL S1K



Many types of professional music equipment nowadays use high power components, and need to be cooled by fans. Fans draw in dust and pollutants which can adversely affect the contacts of conventional jacks, with exposed contacts.

S1K avoids possibility of contamination of contacts by means of a sealing cover over the top and bottom of the jack. The height profile and PCB fitting are the same as our standard S1 jacks.

S1K is available with switched mono /BNB or stereo /BBB configurations and types of front bush. Other contact configurations can be made subject to quantity. Plastic nut is standard.

Standard colour is all black. Other colours to order only.

MODELS

S1KA Standard fully threaded for plastic or metal nut.

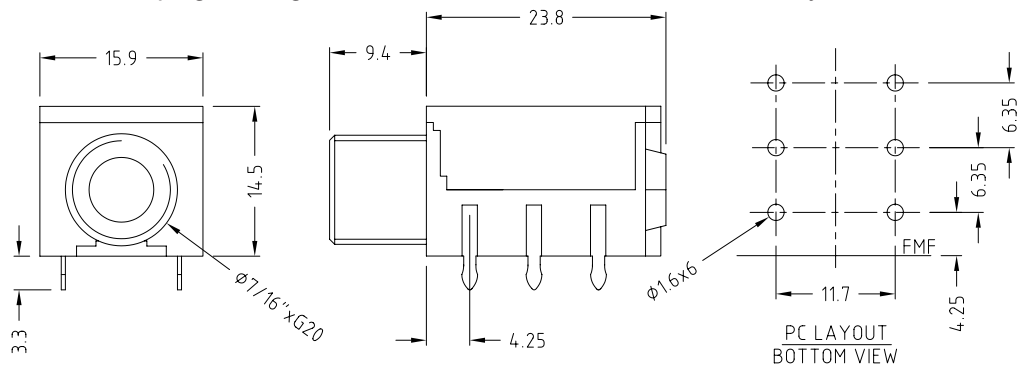
S1KB SPN - Partially reduced nose. Nuts not usually used, but are supplied.

S1KC Full thread with discrete bright insert and isolated RFI washer

S1KD Full thread with prominent bright insert. RFI washer connected to inserted jack plug.

S1KE Non thread bush. Nuts not used.

Retained hole plug forming a seal for front is available as an accessory.

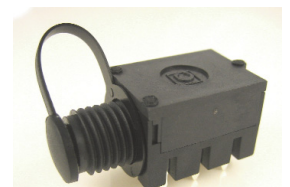


PART Nos.

| | |
|---------|--------------------------------|
| FC67810 | S1KA/BBB/WW SEALED JACK STD |
| FC67815 | S1KA/BNB/WW SEALED JACK STD |
| FC67820 | S1KB/BBB/WW/SPN SEALED JACK |
| FC67825 | S1KB/BNB/WW/SPN SEALED JACK |
| FC67830 | S1KC/BBB/NI/WW/IEW SEALED JACK |
| FC67835 | S1KC/BNB/NI/WW/IEW SEALED JACK |
| FC67840 | S1KD/BBB/NI/WW/CEW SEALED JACK |
| FC67845 | S1KD/BNB/NI/WW/CEW SEALED JACK |
| FC67850 | S1KE/BBB/NNW SEALED JACK PLAIN |
| FC67855 | S1KE/BNB/NNW SEALED JACK PLAIN |
| FC67858 | S1K FRONT SEAL |

IEW = isolated earth washer

CEW = connected earth washer



Black socket showing hole seal.

SPECIFICATION

| | |
|-----------------------------|---------------------------|
| Withstand Voltage: | 2000VDC Min. |
| Maximum Current: | 5A. |
| Temperature Rating: | -10°C ~ +70°C |
| Life >10000 operations: | Contact resistance <100mΩ |
| Initial Contact Resistance: | <50mΩ |
| IP Rating (with plug in): | IP50 |

RoHS / REACH compliant

All models, except type E, supplied with plastic nut and washer

100 / Tray / 1000 / Carton

Order as: S1K [] / BNB - Mono
 Type ↑ / BBB - Stereo

For further information, contact: sales@cliffuk.co.uk



Visit us online at:

X-ON Electronics

Largest Supplier of Electrical and Electronic Components

Click to view similar products for [cliff manufacturer](#):

Other Similar products are found below :

[CL-SFE/1 FILTERS](#) [CIH206011](#) [FM686813](#) [CP30152](#) [CP30211](#) [CP303011X](#) [CP30173](#) [CP30176](#) [CP30178](#) [CP30179](#) [CP30180](#) [CP30500C](#)
[FC6141](#) [CP30202M3](#) [CP30201](#) [FCR1295](#) [FCR2065](#) [CL19192RB](#) [CP30208NX](#) [FCR7360B](#) [FM686816](#) [CIH29950](#) [CP30225SM](#) [CL681561](#)
[CP30170](#) [CP30174](#) [CIH684216](#) [FCR2062](#) [FW6190](#) [CP30182](#) [CP30184](#) [CP30202M](#) [CIH3021](#) [CP30208NMB](#) [CP30230X](#) [FM686806](#)
[CL1396](#) [CL1110](#) [CP30181](#) [CP30183](#) [CP30202M3B](#) [CIH3007](#) [CL2075S](#) [BS300LLL](#) [FCR79910RB](#) [CIH30240B](#) [CL2076S](#) [CL2160B TP/6](#)
[CS](#) [DC8](#) [CP303090X](#)