

DISCLAIMER:  
 ALL STATEMENTS AND TECHNICAL INFORMATION CONTAINED  
 HEREIN ARE BASED UPON INFORMATION AND/OR TESTS WE  
 BELIEVE TO BE ACCURATE AND RELIABLE. SINCE  
 CONDITIONS OF USE ARE BEYOND OUR CONTROL, THE  
 USER SHALL DETERMINE THE SUITABILITY OF THE PRODUCT  
 FOR THE INTENDED USE AND ASSUME ALL RISK AND  
 LIABILITY WHATSOEVER IN CONNECTION THEREWITH.

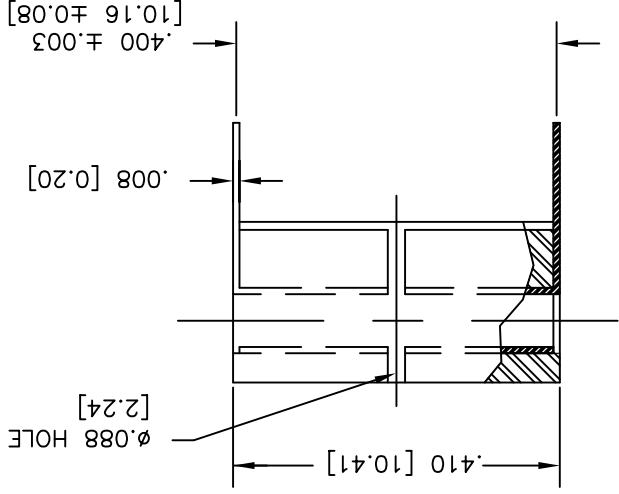
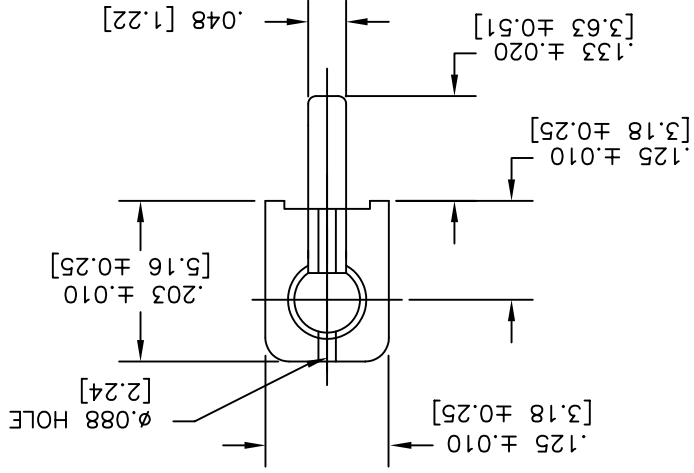
TOLERANCES:  
 UNLESS OTHERWISE  
 SPECIFIED,  
 DIMENSIONS ARE  
 FOR REFERENCE  
 PURPOSES ONLY.

|              |           |
|--------------|-----------|
| DRAWN BY:    | J.P.      |
| DATE:        | 1/15/93   |
| CHECKED BY:  | JOHN COLE |
| DATE:        | 1/18/93   |
| APPROVED BY: | J.Lisko   |
| DATE:        | 1/19/93   |

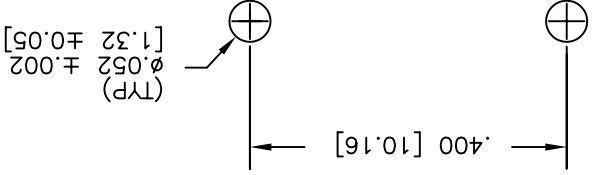
|  |                 |            |                     |               |
|--|-----------------|------------|---------------------|---------------|
| DRAWING TITLE:<br><b>Horizontal Test Jacks</b> |                 | SCALE: NTS | U.O.M.: INCHES [mm] | SHEET: 1 OF 1 |
| SIZE   | DWG. NO.        | TA-374     |                     | A             |
| REV  | ELECTRONIC FILE | TA-374.dwg |                     | D             |

| PART NUMBER | COLOR  |
|-------------|--------|
| TJ-100-BLK  | BLACK  |
| TJ-100-RED  | RED    |
| TJ-100-WHT  | WHITE  |
| TJ-100-YEL  | YELLOW |

- NOTES:**
1. MATERIAL: CONTACT: COPPER ALUMINUM ALLOY (MEETS OR EXCEEDS BERYLLIUM COPPER)  
 BODY: NYLON 66 PER ASTM D4066
  2. CONTACT FINISH: GOLD
  3. CURRENT RATING: 5 AMPS
  4. BREAKDOWN VOLTAGE: 2100 VRMS MINIMUM
  5. CONTACT RESISTANCE: .005 OHM MAX
  6. FLAMMABILITY: UL94V-2
  7. SELF-EXTINGUISHING
  8. ADJACENT JACK CAP.: 1 pF MAX AT 1 MHZ
  9. FOR STANDARD TIP PLUG:  $\phi .080$  [2 MM].
  10. PROBE ACCESS FROM BOTH ENDS.
  11. CONTACT PROTECTED FROM FLUX AND SOLDER.
  12. WEIGHT: .0006 LBS.
- 40°F (-40°C) TO 185°F (85°C)  
 CONTINUOUS USE TEMPERATURE:



**MOUNTING HOLE LAYOUT**



ALL RIGHTS RESERVED. NO PORTION OF THIS PUBLICATION,  
 WHETHER IN WHOLE OR IN PART CAN BE REPRODUCED,  
 WITHOUT THE EXPRESS WRITTEN CONSENT OF SPC  
 TECHNOLOGY.  
 SPC-F005.DWG



| DCP # | REV | DESCRIPTION                    | DRAWN | DATE    | CHECKD | APPRVD  | DATE    |
|-------|-----|--------------------------------|-------|---------|--------|---------|---------|
| 1686  | D   | Remove TJ-100-BLU & TJ-100-GRN | JWM   | 2/11/04 | JC     | 2/11/04 | 2/11/04 |
| 1210  | C   | Elect. File Name chgd          | JWM   | 7/25/01 | JC     | 7/25/01 | 7/25/01 |

REVISIONS

DOC. NO. SPC-F005 \* Effective: 7/8/02 \* DCP No: 1398

## **X-ON Electronics**

Largest Supplier of Electrical and Electronic Components

*Click to view similar products for [tenma](#) manufacturer:*

Other Similar products are found below :

[21-10164](#) [21-10158](#) [BC0024434](#) [72-7712](#) [76-009](#) [CBB019217](#) [CBB018722](#) [72-9170](#) [72-13668](#) [72-13686](#) [72-13688](#) [72-13736](#) [72-13742](#)  
[72-13818](#) [72-13822](#) [72-13824](#) [72-13836](#) [72-13856](#) [72-13858](#) [72-13872](#) [72-13874](#) [72-13908](#) [72-13950](#) [72-13986](#) [72-14060](#) [72-14302](#) [72-3099](#) [76-1448](#) [76-1556](#) [76-019](#) [76-024](#) [76-1568](#) [21-670](#) [72-14400](#) [72-13762](#) [72-13826](#) [72-13832](#) [72-13888](#) [72-13942](#) [72-14008](#) [72-14014](#)  
[72-14048](#) [72-14148](#) [72-14230](#) [72-17175](#) [72-2655](#) [72-7615](#) [76-1446](#) [76-022](#) [72-14425](#)