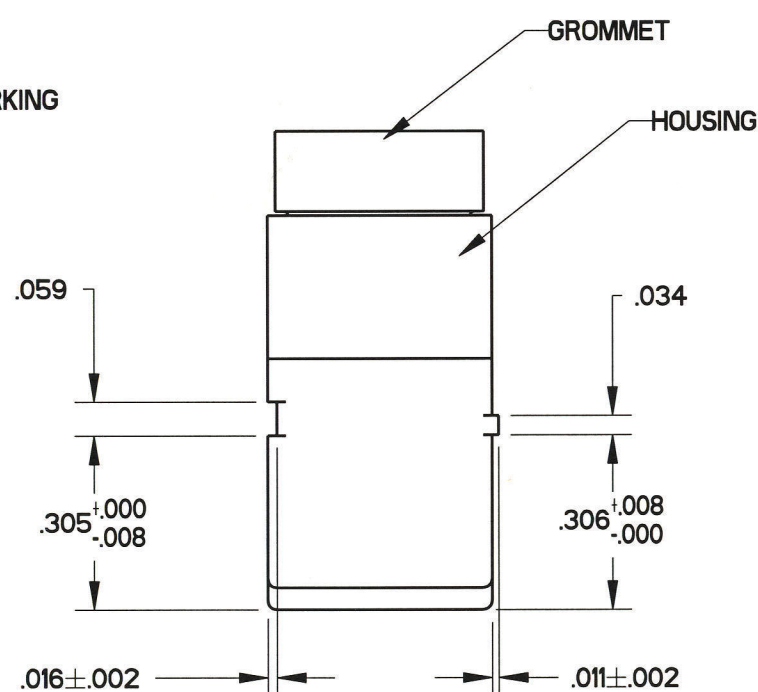
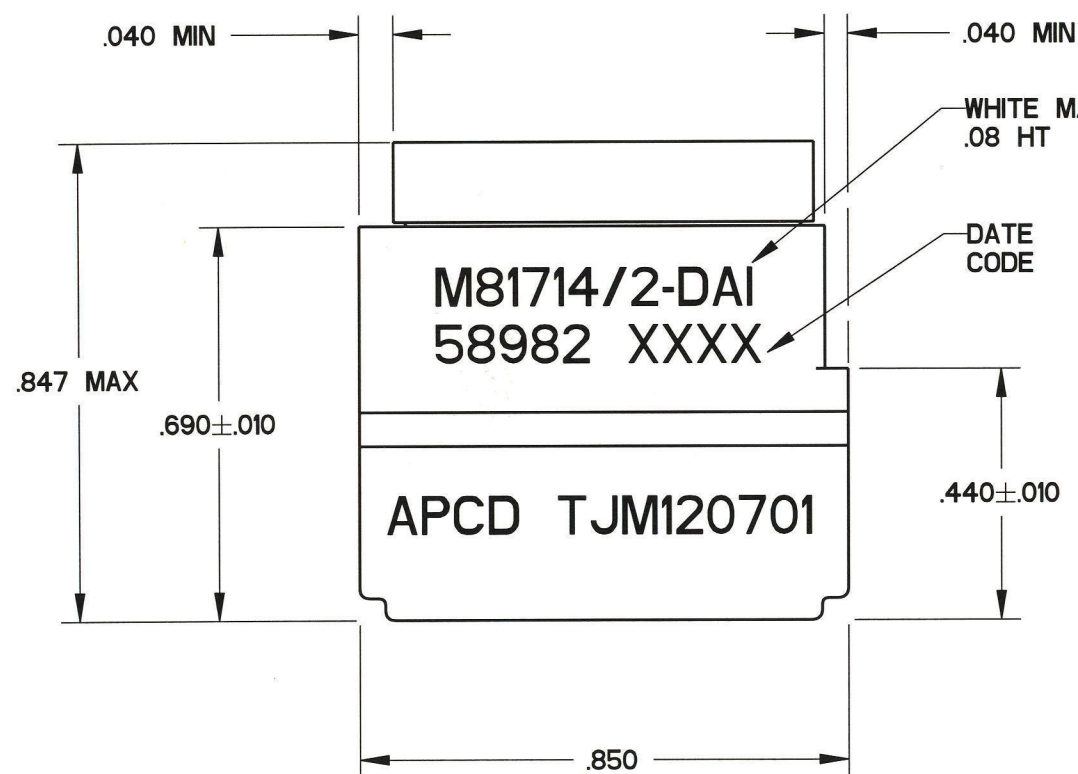
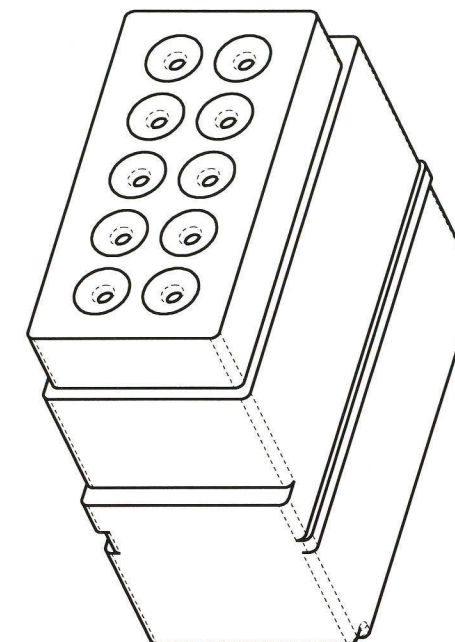
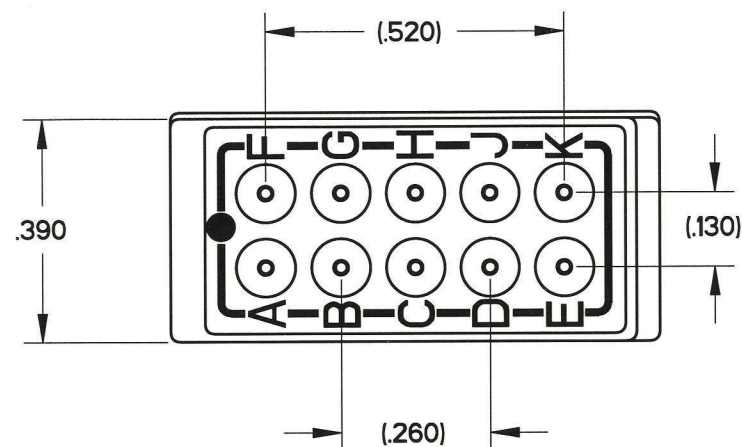


TJM120601

| REV | ECN | APP'D |
|-----|------|------------|
| C | 5814 | JT 4-13-06 |



NOTES:

1. PERFORMANCE:

- A) MEETS PERFORMANCE AND ENVIRONMENTAL REQUIREMENTS OF MIL-T-81714/2
- B) MODULES ARE TO BE MOUNTED INTO RACK ASSEMBLY M81714/5 OR/16 OR COMMERCIAL EQUIVALENT.
- C) DIELECTRIC WITHSTANDING VOLTAGE: 1500 VRMS AT SEA LEVEL, 200 VRMS AT 100,000 FEET.
- D) OPERATING TEMPERATURE: -65 C TO 200 C.
- E) CURRENT RATING: 7.5 AMPS
- F) VIBRATION AND SHOCK: MIL-T-81714 PARAGRAPH 3.5.5 AND 3.5.8

2. MATERIALS:

- A) HOUSING - POLYETHERIMIDE, COLOR: BLACK.
- B) GROMMET - SILICONE ELASTOMER, COLOR: BLUE
- C) INTERNAL CONTACTS - COPPER ALLOY, GOLD PLATED
- D) CONTACT RETAINERS - STAINLESS STEEL.

| APCD P/N | SUPPLIED | | | | MARKING | | CLASS |
|-----------|----------|-------------|-----------|------|--------------|-----------|--------------|
| | PINS | | PLUGS | | APCD QPL NO. | MIL. NO | |
| | QTY. | MIL. P/N | APCD P/N | QTY. | APCD P/N | | |
| TJM120601 | -- | -- | -- | -- | -- | TJM120701 | M81714/2-DAI |
| TJM120701 | 11 | M39029/H101 | CNP006000 | 2 | CNA032401 | | |

| | | | | | | | | |
|---|---|-----------------------|--|----------------------------|---|------------------|-----------------------------|-----------------|
| DIMENSIONS ANSI Y14.5M UNITS: INCHES Pro/E FILE | TOLERANCES .XX ±0.01 .XXX ±0.005 ANGLES ±2.0° | PROJECTION | Amphenol Pcd SPECIFICATION DRAWING | | TITLE TERMINAL JUNCTION MODULE SZ 20 FEEDBACK DA1 | | | |
| | | | DRWN A. SWEEZEY 03/09/06 | ENGR R. SWAINE 03/01/06 | | SIZE B | DWG NO. TJM120601 | REV C |
| ORIGINAL | THIS DOCUMENT CONTAINS PROPRIETARY INFORMATION WHICH IS THE CONFIDENTIAL PROPERTY OF AMPHENOL PCD INC., PEABODY, MA | | | APPD Jade to 4-13-06 | | CODE: 58982 | SCALE: 3:1 | SHEET 1 OF 1 |

TJM120601

TJM120601

X-ON Electronics

Largest Supplier of Electrical and Electronic Components

Click to view similar products for [Terminal Junction Modules](#) category:

Click to view products by [Amphenol](#) manufacturer:

Other Similar products are found below :

[00175510302](#) [00175520502](#) [00175530502](#) [00175510202](#) [00175510402](#) [00175520202](#) [00175520402](#) [00175520602](#) [591900-1](#) [CTJ116E01D-513](#) [CTJ-2A-01](#) [CTJ-3A-04](#) [CTJ720E01B](#) [M81714/60-20-06](#) [M81714/60-20-2](#) [M81714/60-22-01](#) [RBTB16-3W](#) [CTE220-10-102-1050](#) [CTJ-3A-03-4021](#) [CTJ-3A-06-4021](#) [CTJ-3D-10](#) [CTJ620E06N-513](#) [TJ11E-06-04](#) [TJM112701](#) [TJM116701](#) [TJM116702](#) [TJS316702](#) [YHLZ-22](#) [TJM120702](#) [TJM120704](#) [TJS316701](#) [YHLZE8-8](#) [YHLZ16-8](#) [YHLZ16-2](#) [CTJ716K01D](#) [TJM120601](#) [TJM120605](#) [TJS320602](#) [CTD126E01A](#) [CTJ120E02C-6148](#) [CTJ120E02C-6162](#) [CTJ716E01D-6181](#) [M81714/65-20-2](#) [YHLZ-8](#) [BTJ122E05E-513](#) [BTJ120E04A-513](#) [SJM020401](#) [TJHD22607](#) [M817142-DB3-LC](#) [TJHD22707](#)