



790-043P
Straight PCB Terminated
Free-Standing Receptacle, Pin Contacts
How To Order

790-043P Straight PCB Free-Standing Receptacles
PIN CONTACTS WITH STRAIGHT PCB TERMINATION



790-043P connectors feature thru-hole termination to rigid or flexible circuits. These free-standing vertical mount headers mate with 790-025S cable connectors. 29 contact arrangements include size #16 and #12 power contacts for maximum design flexibility. Contacts are epoxy encapsulated and are non-removable. Fluorosilicone face seal provides watertight sealing when mated. One-piece machined aluminum shell has threaded holes for board attachment.

HOW TO ORDER

Sample Part Number

790-043P

K-9P9

M

P

A

Part Number

**Shell Size -
Insert
Arrangements**

Shell Finish

Hardware Option

PC Tail Length

790-043P

Receptacle with Straight
PC Tail Pin Contacts for
Termination to Backplanes
or Flexible Circuits

See Table 1 for
Available Insert
Arrangements

M

Electroless Nickel
general purpose applications

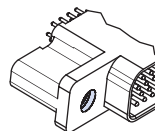
MT

Nickel-PTFE
1000 Hour Grey™
*maximum corrosion protection
and durability
(non-reflective grey)*

ZNU

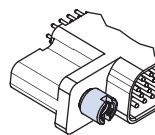
Zinc-Nickel with Black
Chromate
*tactical applications
(non-reflective black)*

Additional shell finishes are
listed on page C-9.



N

No Hardware



P

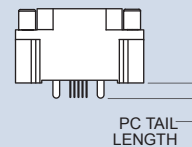
Female Jackpost

A

.125 Inch (3.2 mm.)

B

.250 inch (6.4 mm.)



PC TAIL
LENGTH

SPECIFICATIONS

| | |
|---------------------------------|---|
| Current Rating | #23 5 AMPS, #16 13 A., #12 23 A. |
| Dielectric Withstanding Voltage | #23 500 VAC RMS, #12 and #16 1800 VAC RMS |
| Insulation Resistance | 5000 megohms minimum |
| Operating Temperature | -65° C. to +150° C. |
| Shock | 300 g. |
| Vibration | 37 g. |

MATERIALS AND FINISHES

| | |
|------------------|--|
| Shell | Aluminum alloy |
| Contacts | Copper alloy, 50 microinches gold plated |
| Insulators | Liquid crystal polymer (LCP) |
| Interfacial Seal | Flourosilicone rubber |
| Jackpost | 300 series stainless steel |
| Encapsulant | Epoxy |

Dimensions in Inches (millimeters) are subject to change without notice.

790-043P
Straight PCB Terminated
Free-Standing Receptacle, Pin Contacts
How To Order



Table 1 Contact Arrangements

| Layout | Contact Quantity | | | Face View |
|--------|------------------|-----|-----|-----------|
| | #23 | #16 | #12 | |
| A-5 | 5 | | | |
| B-2P2 | | 2 | | |
| B-9 | 9 | | | |
| C-13 | 13 | | | |
| D-15 | 15 | | | |
| D-3P3 | | 3 | | |
| D-7P2 | 5 | 2 | | |
| E-11P2 | 9 | 2 | | |
| E-19 | 19 | | | |
| E-7P3 | 4 | 3 | | |
| F-15P2 | 13 | 2 | | |
| F-23 | 23 | | | |
| F-5P5 | | 5 | | |
| G-33 | 33 | | | |
| H-10P4 | 6 | 4 | | |
| H-29P7 | 22 | 7 | | |
| H-36P2 | 34 | 2 | | |
| H-54P2 | 52 | 2 | | |
| H-5P5 | | | 5 | |
| H-66 | 66 | | | |
| J-17P4 | 13 | 4 | | |
| J-25P2 | 23 | 2 | | |
| J-33 | 33 | | | |
| J-7P7 | | 7 | | |
| K-27P4 | 23 | 4 | | |
| K-35P2 | 33 | 2 | | |
| K-43 | 43 | | | |
| K-9P9 | | 9 | | |
| L-6P6 | | | 6 | |
| L-78 | 78 | | | |
| M-102 | 102 | | | |

CROSS-SECTIONAL VIEW OF 790-043P

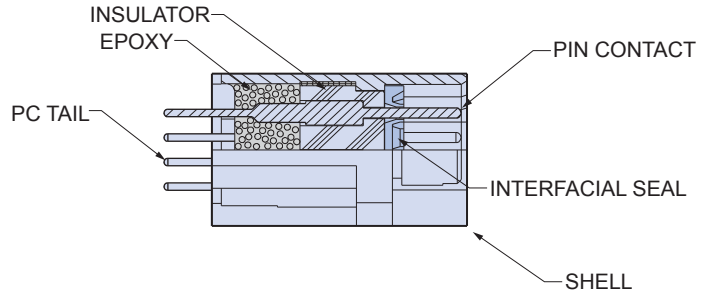
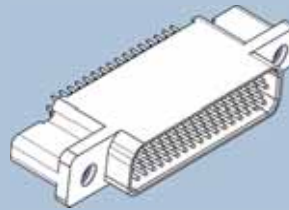


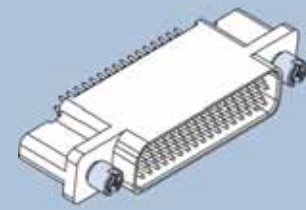
TABLE 2 HARDWARE OPTION



N

No Mating Hardware

Connector is supplied with threaded holes. Shell sizes H and L have #6-32 threads, other sizes have #4-40 threads. Thread depth is .150" (3.8).



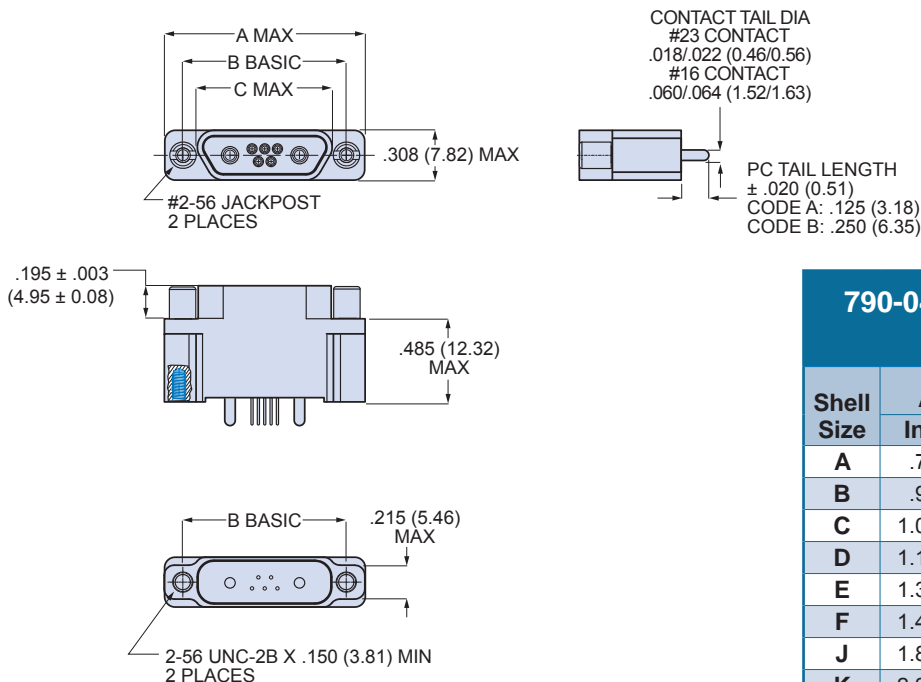
P

Jackposts

Connector is supplied with non-removable stainless steel jackposts. Shell sizes H and L have #4-40 UNC thread, other sizes have #2-56 thread.

Dimensions in Inches (millimeters) are subject to change without notice.

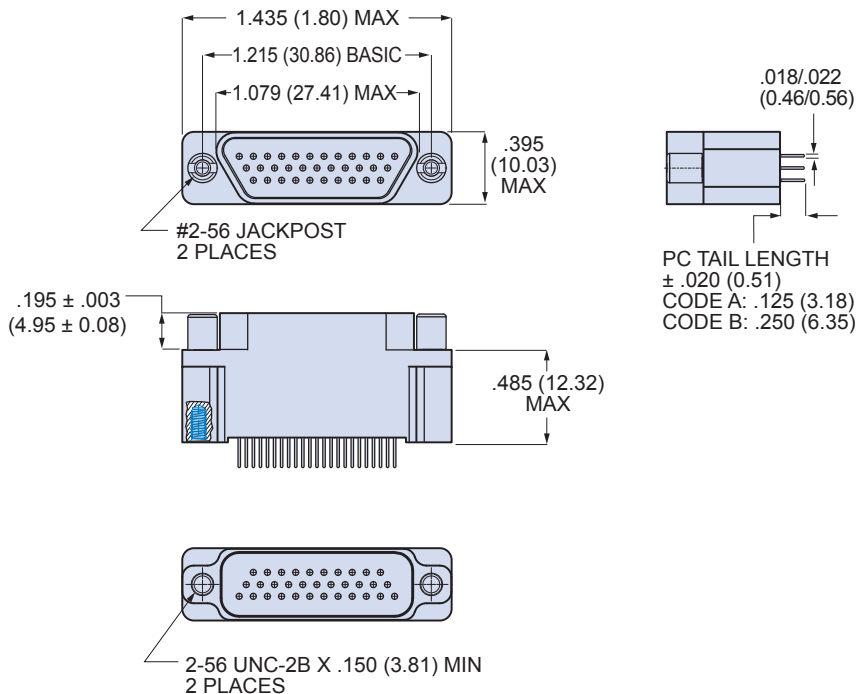
790-043P Shell Size A-G, J and K Dimensions



790-043P SHELL SIZE A-K, J & K DIMENSIONS

| Shell Size | A Max. | | B Basic | | C Max. | |
|------------|--------|-------|---------|-------|--------|-------|
| | In. | mm. | In. | mm. | In. | mm. |
| A | .785 | 19.94 | .565 | 14.35 | .400 | 10.16 |
| B | .935 | 23.75 | .715 | 18.16 | .551 | 14.00 |
| C | 1.085 | 27.56 | .865 | 21.97 | .701 | 17.81 |
| D | 1.185 | 30.10 | .965 | 24.51 | .801 | 20.35 |
| E | 1.335 | 33.91 | 1.115 | 28.32 | .951 | 24.16 |
| F | 1.485 | 37.72 | 1.265 | 32.13 | 1.101 | 27.96 |
| J | 1.845 | 46.86 | 1.615 | 41.02 | 1.460 | 37.08 |
| K | 2.240 | 56.90 | 2.015 | 51.18 | 1.860 | 47.24 |

790-043P Shell Size G Dimensions

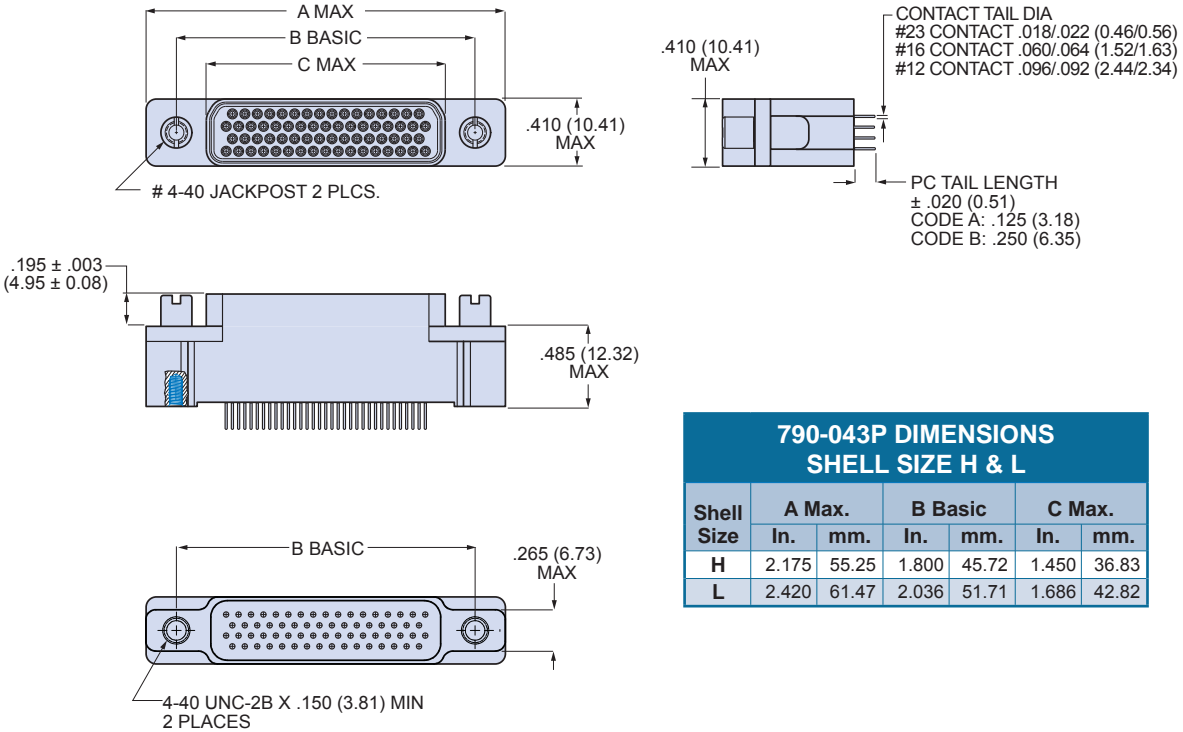


Dimensions in Inches (millimeters) are subject to change without notice.

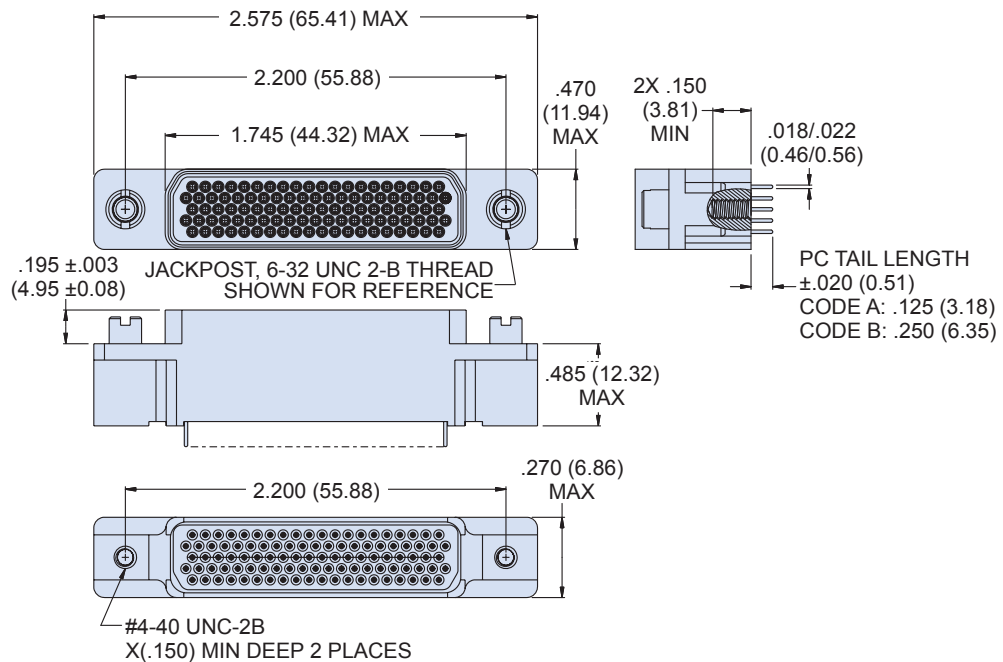
790-043P
Straight PCB Terminated
Free-Standing Receptacle, Pin Contacts
Dimensions



790-043P Shell Size H and L Dimensions



790-043P Shell Size M Dimensions



Dimensions in Inches (millimeters) are subject to change without notice.

X-ON Electronics

Largest Supplier of Electrical and Electronic Components

Click to view similar products for [D-Sub Micro-D Connectors](#) category:

Click to view products by [Glenair](#) manufacturer:

Other Similar products are found below :

[M243082311F](#) [M2430834F](#) [M24308/4-6F](#) [65-1920-15](#) [M83513/01-HN](#) [M83513/03-A10N](#) [M83513/03-B14C](#) [M83513/03-D09C](#) [M83513/03-D11N](#) [M83513/03-G02N](#) [M83513/03-G05N](#) [M83513/03-G08C](#) [M83513/03-G09N](#) [M83513/03-G12N](#) [M83513/03-H13N](#) [M83513/04-E15N](#) [M83513/04-G04C](#) [M83513/10-E01NP](#) [M83513/13-B01NP](#) [M83513/13-C01NN](#) [M83513/16-A01CP](#) [M83513/22-D01NP](#) [M83513/25-B01NP](#) [6R2004A30F015](#) [6R4006A28A120](#) [703006A13F060](#) [704002A03F200](#) [705001A13F120](#) [7-1532020-5](#) [748567-1-P](#) [MDB1-31SH003](#) [MDM-15PBS-L58](#) [MDM-15PCBRM7T](#) [MDM-15PH003B-A174](#) [75-068624-59S](#) [MDM-15PH034B](#) [MDM-15SH001L](#) [MDM-15SH004B](#) [MDM-21PH003K](#) [MDM-25PH003B-A174](#) [MDM-25PHW01F-A174](#) [MDM-37PH006L-A174](#) [MDM-37PH048M5-A174](#) [MDM-37SCBRP-A174](#) [MDM-51PBS-L56](#) [MDM-51PSF](#) [MDM-51SH003M7](#) [MDM-51SSM7-A174](#) [MDM-9PBSP-L58](#) [MDM-9PH003M7](#)