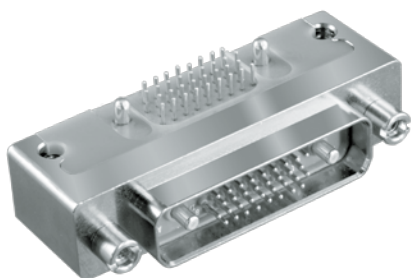


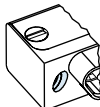
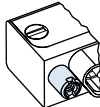
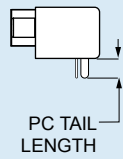
RECEPTACLES WITH PIN CONTACTS, RIGHT ANGLE PCB TERMINATION, 790-041P



Lightweight, rugged right angle headers feature gold-plated contacts for thru-hole printed circuit board termination. 790-041P connectors are free-standing (not for panel mounting) and mate to 790-025S cable plugs. Contacts are permanently installed and are sealed with epoxy. Shells are aluminum alloy. Threaded board mounting holes and integral standoffs simplify installation. EMI shroud improves EMI performance. Fluorosilicone face seal provides watertight interface. Available in 29 different contact arrangements, these connectors feature size #23 signal contacts along with #16 and #12 power contacts for up to 23 amps current rating.

HOW TO ORDER

Sample Part Number

| 790-041P | J-25P2 | M | P | A |
|-----------------------------------------------------------------------------------------------------------------------|-----------------------------------------------|---------------------------------------------------------------------------------------------------------------------------------------------------------------------------------------------------------------------------------------------------------------------------------------------------------------------------------------------------------------------------|------------------------------------------------------------------------------------------------------------------------------------------------------------------------------------------------------------------------------------------|---------------------------------------------------------------------------------------------------------------------------------------------------------------------------------------|
| Part Number | Shell Size - Insert Arr. | Shell Finish | Hardware Option | PC Tail Length |
| 790-041P Header Receptacle with 90° PC Tail Pin Contacts for Termination to Backplanes or Flexible Circuits | See Table 1 for Available Insert Arrangements | M Electroless Nickel <i>general purpose applications</i> MT Nickel-PTFE 1000 Hour Grey™ <i>maximum corrosion protection and durability (non-reflective grey)</i> ZNU Zinc-Nickel with Black Chromate <i>tactical applications (non-reflective black)</i> Additional shell finishes are listed on page C-9. |  N No Hardware  P Female Jackpost | A .125 Inch (3.2 mm.) B .250 inch (6.4 mm.)  PC TAIL LENGTH |

SPECIFICATIONS

| | |
|---------------------------------|-------------------------------------------|
| Current Rating | #23 5 AMPS, #16 13 A., #12 23 A. |
| Dielectric Withstanding Voltage | #23 500 VAC RMS, #12 and #16 1800 VAC RMS |
| Insulation Resistance | 5000 megohms minimum |
| Operating Temperature | -65° C. to +150° C. |
| Shock | 300 g. |
| Vibration | 37 g. |

MATERIALS AND FINISHES

| | |
|------------------|------------------------------------------|
| Shell | Aluminum alloy |
| Contacts | Copper alloy, 50 microinches gold plated |
| Insulator | Liquid crystal polymer (LCP) |
| EMI Shroud | Aluminum alloy |
| Interfacial Seal | Fluorosilicone rubber |
| Jackposts | 300 series stainless steel |
| Tray | Thermoplastic |
| Encapsulant | Epoxy |

Dimensions in inches (millimeters) and are subject to change without notice.

© 2009 Glenair, Inc.

CAGE Code 06324

Printed in U.S.A.

GLENAIR, INC. • 1211 AIR WAY • GLENDALE, CA 91201-2497 • 818-247-6000 • FAX 818-500-9912

www.glenair.com

G-6

E-Mail: sales@glenair.com

Rev. 04-July-2009

Series 79 Micro-Crimp Section G: Right Angle Printed Circuit Board Connectors



Table 1 Contact Arrangements

| Layout | Contact Quantity | | Face View |
|--------|------------------|--------|-----------|
| | #23 | #16#12 | |
| A-5 | 5 | | |
| B-2P2 | 2 | | |
| B-9 | 9 | | |
| C-13 | 13 | | |
| D-15 | 15 | | |
| D-3P3 | 3 | | |
| D-7P2 | 5 | 2 | |
| E-11P2 | 9 | 2 | |
| E-19 | 19 | | |
| E-7P3 | 4 | 3 | |
| F-15P2 | 13 | 2 | |
| F-23 | 23 | | |
| F-5P5 | 5 | | |
| G-33 | 33 | | |
| H-10P4 | 6 | 4 | |
| H-29P7 | 22 | 7 | |
| H-36P2 | 34 | 2 | |
| H-54P2 | 52 | 2 | |
| H-5P5 | | 5 | |
| H-66 | 66 | | |
| J-17P4 | 13 | 4 | |
| J-25P2 | 23 | 2 | |
| J-33 | 33 | | |
| J-7P7 | | 7 | |
| K-27P4 | 23 | 4 | |
| K-35P2 | 33 | 2 | |
| K-43 | 43 | | |
| K-9P9 | | 9 | |
| L-6P6 | | 6 | |

CROSS-SECTIONAL VIEW OF 790-041P

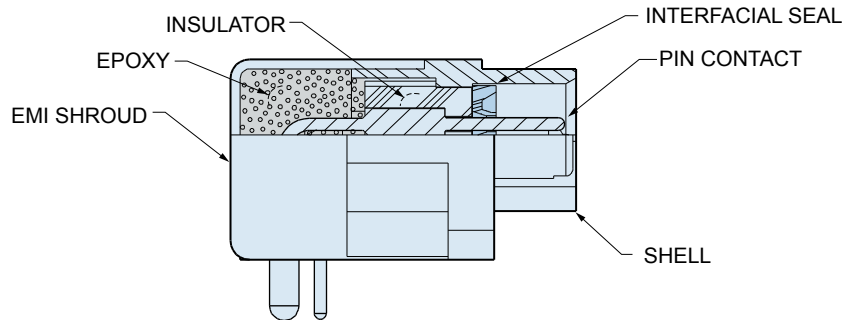
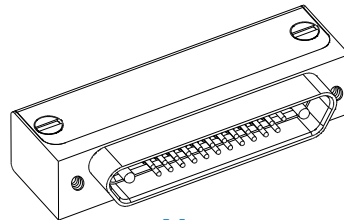


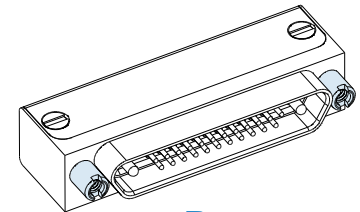
TABLE 2 HARDWARE OPTION



N

No Mating Hardware

Connector is supplied with threaded holes. Shell sizes H and L have #6-32 threads, other sizes have #4-40 threads. Thread depth is .150" (3.8).



P

Jackposts

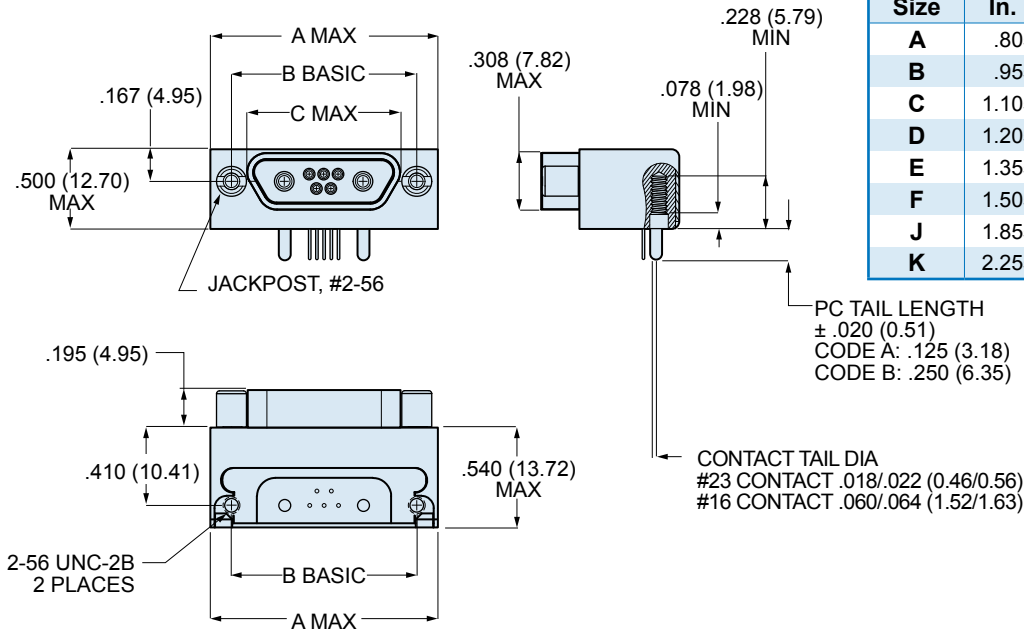
Connector is supplied with non-removable stainless steel jackposts. Shell sizes H and L have #4-40 UNC thread, other sizes have #2-56 thread.

Dimensions in inches (millimeters) and are subject to change without notice.

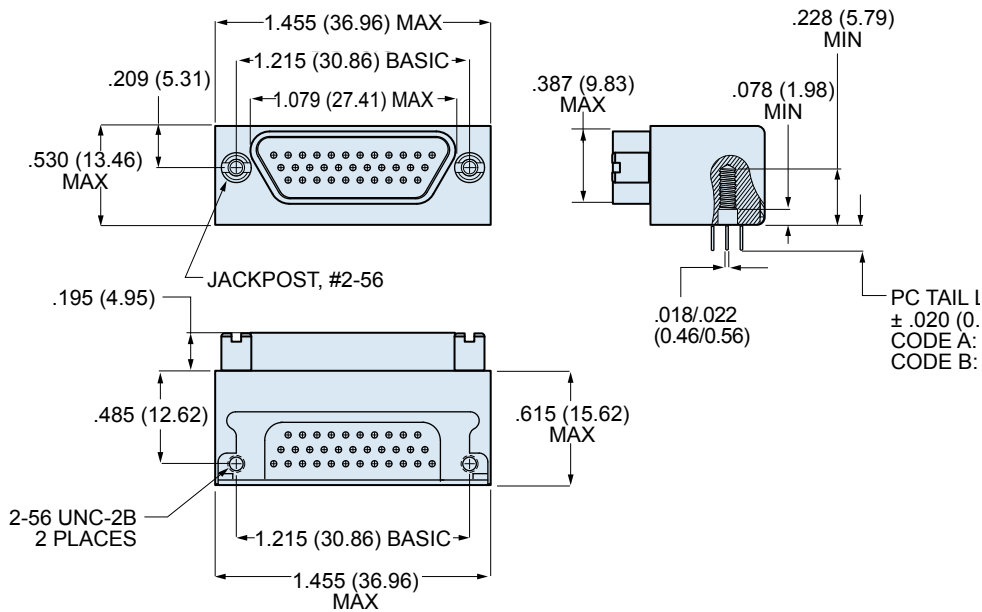
790-041P DIMENSIONS: SHELL SIZES A-F, J, AND K

790-041P SHELL SIZES A-F, J AND K

| Shell Size | A Max. | | B Basic | | C Max. | |
|------------|--------|-------|---------|-------|--------|-------|
| | In. | mm. | In. | mm. | In. | mm. |
| A | .805 | 20.45 | .565 | 14.35 | .401 | 10.19 |
| B | .955 | 24.26 | .715 | 18.16 | .551 | 14.00 |
| C | 1.105 | 28.07 | .865 | 21.97 | .701 | 17.81 |
| D | 1.205 | 30.61 | .965 | 24.51 | .801 | 20.35 |
| E | 1.355 | 34.42 | 1.115 | 28.32 | .951 | 24.16 |
| F | 1.505 | 38.23 | 1.265 | 32.13 | 1.101 | 27.96 |
| J | 1.855 | 47.12 | 1.615 | 41.02 | 1.460 | 37.08 |
| K | 2.255 | 57.28 | 2.015 | 51.18 | 1.860 | 47.24 |



790-041P DIMENSIONS: SHELL SIZE G

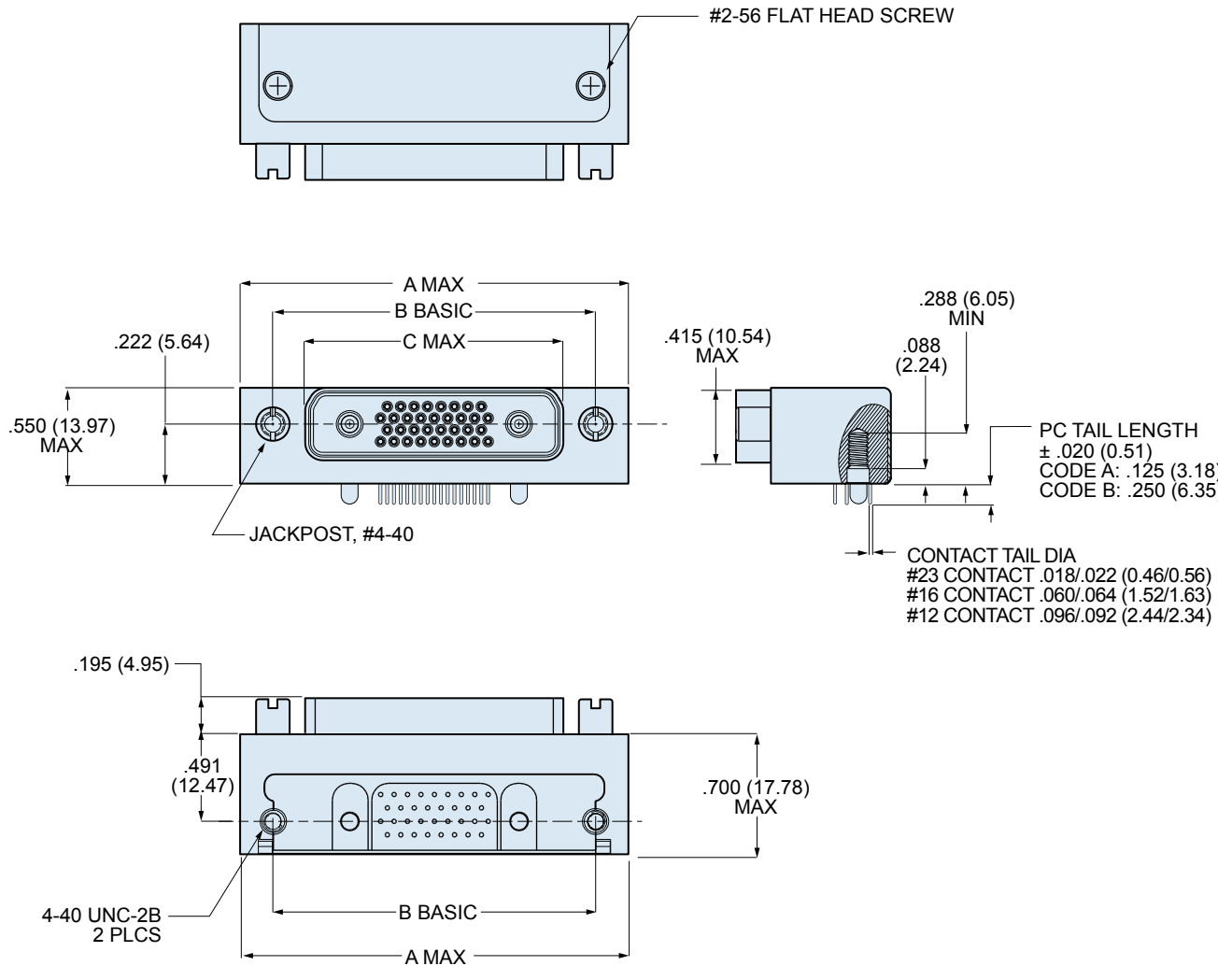


Dimensions in inches (millimeters) and are subject to change without notice.

Series 79 Micro-Crimp Section G: Right Angle Printed Circuit Board Connectors



790-041P DIMENSIONS: SHELL SIZES H & L



790-041P SHELL SIZES H AND L

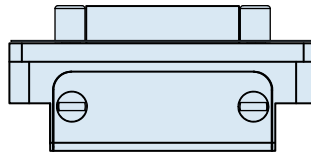
| Shell Size | A Max. | | B Basic | | C Max. | |
|------------|--------|-------|---------|-------|--------|-------|
| | In. | mm. | In. | mm. | In. | mm. |
| H | 2.185 | 55.50 | 1.800 | 45.72 | 1.450 | 36.83 |
| L | 2.430 | 61.72 | 2.036 | 51.71 | 1.686 | 42.82 |

Dimensions in inches (millimeters) and are subject to change without notice.



PCB Hole Patterns for 790-036P and 790-041P Receptacles

This section contains printed circuit board footprints for right angle Series 79 receptacles. The contact identification numbers are shown for the connector mounting side of the PC board. Contact tails are gold over nickel plated.



CONNECTOR ORIENTATION

| Contact Size | PC Tail Diameter | |
|--------------|------------------|-----------|
| | In. | mm. |
| #23 | .018-.022 | 0.46-0.56 |
| #16 | .060-.064 | 1.52-1.63 |
| #12 | .092-.096 | 2.34-2.44 |

790-036P AND 790-041P PRINTED CIRCUIT BOARD PATTERNS

| Insert Arr. | Component Mounting Side of PCB Mating Face of Connector is Toward Top of Page |
|-------------|----------------------------------------------------------------------------------|
| A-5 | |
| B-2P2 | |
| B-9 | |
| C-13 | |

Dimensions in inches (millimeters) and are subject to change without notice.

Series 79 Micro-Crimp Section G: Right Angle Printed Circuit Board Connectors



790-036P AND 790-041P PRINTED CIRCUIT BOARD PATTERNS

| Insert Arr. | Component Mounting Side of PCB Mating Face of Connector is Toward Top of Page |
|-------------|----------------------------------------------------------------------------------|
| D-15 | |
| D-3P3 | |
| D-7P2 | |
| E-11P2 | |
| E-19 | |

Dimensions in inches (millimeters) and are subject to change without notice.

790-036P AND 790-041P PRINTED CIRCUIT BOARD PATTERNS

| Insert Arr. | Component Mounting Side of PCB Mating Face of Connector is Toward Top of Page |
|-------------|----------------------------------------------------------------------------------|
| E-7P3 | |
| F-15P2 | |
| F-23 | |
| F-5P5 | |
| G-33 | |

Dimensions in inches (millimeters) and are subject to change without notice.

Series 79 Micro-Crimp Section G: Right Angle Printed Circuit Board Connectors



790-036P AND 790-041P PRINTED CIRCUIT BOARD PATTERNS

| Insert Arr. | Component Mounting Side of PCB Mating Face of Connector is Toward Top of Page |
|-------------|----------------------------------------------------------------------------------|
| H-10P4 | |
| H-29P7 | |
| H-36P2 | |
| H-54P2 | |
| H-5P5 | |

Dimensions in inches (millimeters) and are subject to change without notice.

790-036P AND 790-041P PRINTED CIRCUIT BOARD PATTERNS

| Insert Arr. | Component Mounting Side of PCB Mating Face of Connector is Toward Top of Page |
|-------------|----------------------------------------------------------------------------------|
| H-66 | |
| J-17P4 | |
| J-25P2 | |
| J-33 | |
| J-7P7 | |

Dimensions in inches (millimeters) and are subject to change without notice.

Series 79 Micro-Crimp Section G: Right Angle Printed Circuit Board Connectors



790-036P AND 790-041P PRINTED CIRCUIT BOARD PATTERNS

| Insert Arr. | Component Mounting Side of PCB Mating Face of Connector is Toward Top of Page |
|-------------|----------------------------------------------------------------------------------|
| K-27P4 | |
| K-35P2 | |
| K-43 | |
| K-9P9 | |
| L-6P6 | |

Dimensions in inches (millimeters) and are subject to change without notice.

X-ON Electronics

Largest Supplier of Electrical and Electronic Components

Click to view similar products for [D-Sub Micro-D Connectors](#) category:

Click to view products by [Glenair](#) manufacturer:

Other Similar products are found below :

[M243082311F](#) [M2430834F](#) [M24308/4-6F](#) [65-1920-15](#) [M83513/01-HN](#) [M83513/03-A10N](#) [M83513/03-B14C](#) [M83513/03-D09C](#) [M83513/03-D11N](#) [M83513/03-G02N](#) [M83513/03-G05N](#) [M83513/03-G08C](#) [M83513/03-G09N](#) [M83513/03-G12N](#) [M83513/03-H13N](#) [M83513/04-E15N](#) [M83513/04-G04C](#) [M83513/10-E01NP](#) [M83513/13-B01NP](#) [M83513/13-C01NN](#) [M83513/16-A01CP](#) [M83513/22-D01NP](#) [M83513/25-B01NP](#) [6R2004A30F015](#) [6R4006A28A120](#) [703006A13F060](#) [704002A03F200](#) [705001A13F120](#) [7-1532020-5](#) [748567-1-P](#) [MDB1-31SH003](#) [MDM-15PBS-L58](#) [MDM-15PCBRM7T](#) [MDM-15PH003B-A174](#) [75-068624-59S](#) [MDM-15PH034B](#) [MDM-15SH001L](#) [MDM-15SH004B](#) [MDM-21PH003K](#) [MDM-25PH003B-A174](#) [MDM-25PHW01F-A174](#) [MDM-37PH006L-A174](#) [MDM-37PH048M5-A174](#) [MDM-37SCBRP-A174](#) [MDM-51PBS-L56](#) [MDM-51PSF](#) [MDM-51SH003M7](#) [MDM-51SSM7-A174](#) [MDM-9PBSP-L58](#) [MDM-9PH003M7](#)