

EVN2000 Series Limit Switch



Features

- Innovative wiring system featuring insulation displacement termination (IDT)
- Integrated cable gland/cord grip
- EN 50047 mounting compatible
- Designed to meet switch requirement within EN 81-1
- Snap action basic switch with 4 mm air gap
- IP 66/67 Enclosure rating, EN 60529. NEMA 1, 12, 13
- Direct opening of Normally Closed contacts conforming to IEC/EN 60947-5-1 annex K
- Double insulated switch element
- Compact plastic housing

Description

The EVN2000 series limit switch is an innovative product which has been developed to address a need highlighted by Original Equipment Manufacturers (OEM), where “Ease of Wiring” is required. With the new design there is no need for access to the inside of the housing and therefore the housing cover, cover screws and gasket become obsolete. Furthermore, the integrated cable gland eliminates the need for additional conduit or cable gland hardware.

Benefits

- Reduced wiring time, up to 50 % savings can be achieved
- Provides a truly global product by removing the need for conduit or cable gland hardware
- Meets globally accepted mounting standard
- Meets switch requirements within “Safety rules for the construction and installation of elevators/lifts”
- 1 Normally Closed, 1 Normally Open circuit conforming to EN 81-1
- Suitable for wet applications
- Forced opening of the normally closed circuit in the event of contacts welding
- No earth connection required, internal or external
- Suitable where space is at a premium

Typical applications

- Elevators and moving stairs
- Scissor/platform lifts
- Overhead doors
- Material handling
- Packaging machinery
- Agricultural equipment

WARNING


MISUSE OF DOCUMENTATION

- The information presented in this product sheet (or catalogue) is for reference only. DO NOT USE this document as product installation information.
- Complete installation, operation and maintenance information is provided in the instructions supplied with each product.

Failure to comply with these instructions could result in death or serious injury.

WARNING

IF USED IN APPLICATIONS CONCERNING HUMAN SAFETY

- Only use NC direct opening (“positive opening”/ “positive break”) contacts, identified by the symbol .
- Do NOT use flexible / adjustable actuators. Only use actuators designed for safety applications.
- Do NOT defeat, tamper, remove, or bypass this switch.
- Hazardous voltage, disconnect power before servicing.
- Strictly adhere to all installation instructions.
- Consult with local safety agencies and their requirements when designing a machine-control link, interface and all control elements that affect safety.

Failure to comply with these instructions could result in death or serious injury.

EVN2000 Series Limit Switch

Technical information

Specifications

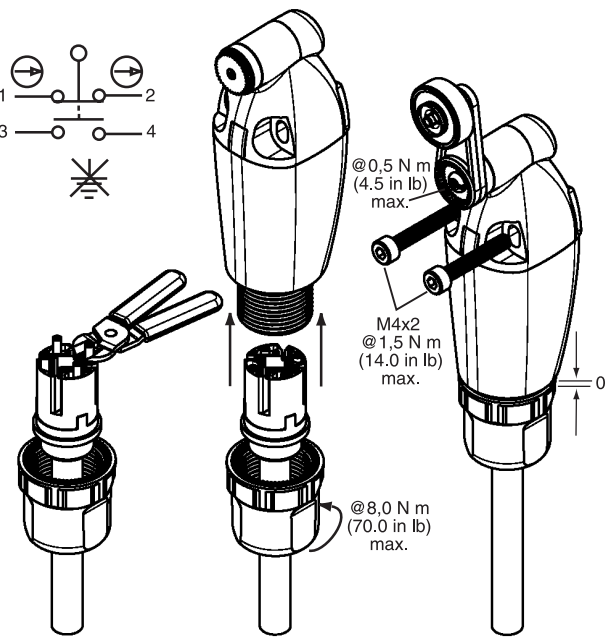
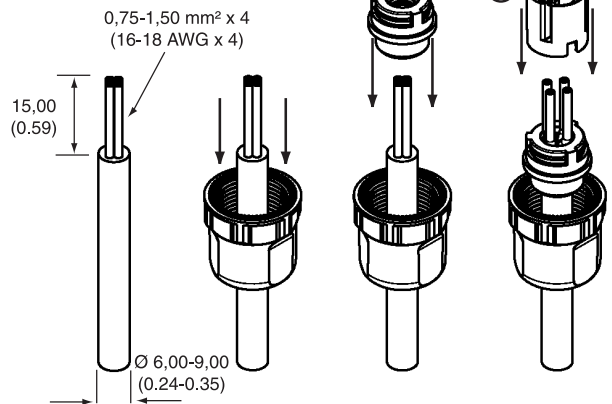
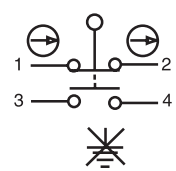
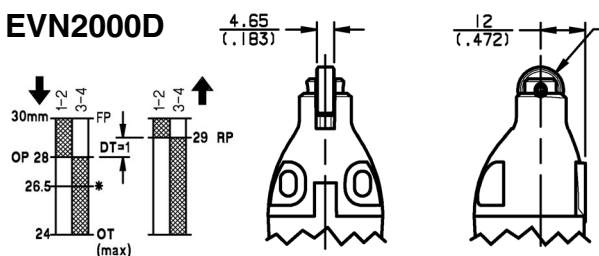
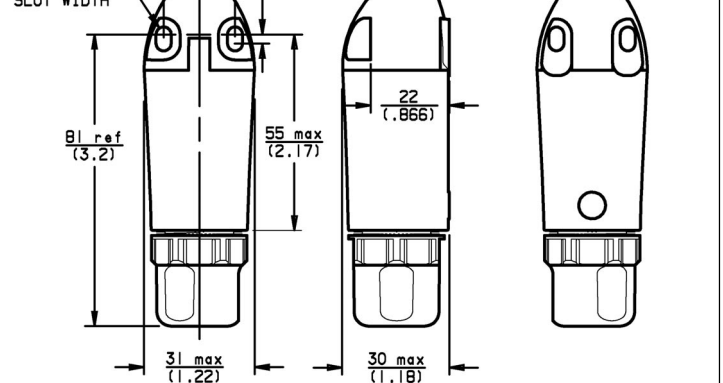
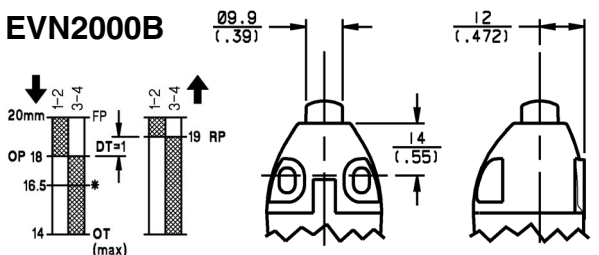
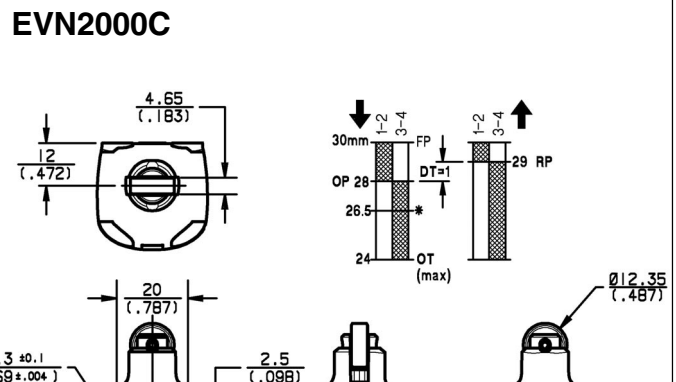
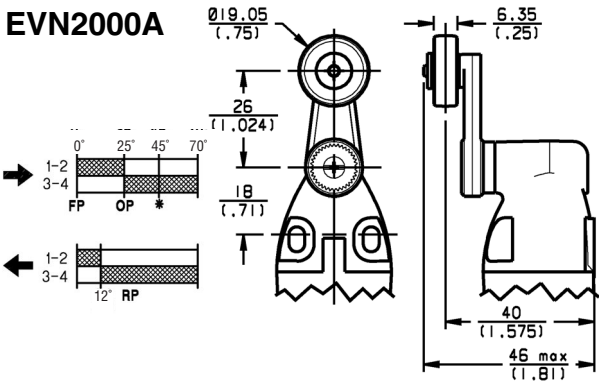
Mechanical life:	up to 10 million operations		
Degree of protection:	IP 66/67, EN 60529 NEMA/UL type 1, 12, 13		
Operating temperature:	-25 °C to 85 °C (-13 °F to 185 °F)		
Storage temperature:	-40 °C to 85 °C (-40 °F to 185 °F)		
Standards/approvals:	IEC/EN 60947-5-1 - European standard for electromechanical industrial control equipment EN 50047 - European standard for designing limit switches UL 508 - US standard for industrial control equipment UL 746C - US standard for plastic enclosures EN 60529 - European standard for IP codes EN 81-1 - European standard for electrical lifts		
Electrical rating: IEC/EN 60947-5-1	Rated operational current I _e (A) at rated operational voltage U _e	VA rating	
	120 V 240 V	Make	Break
AC15, A300	6 3	7200	720
	125 V 250 V		
DC13, Q300	0.55 0.27	69	69
Rated insulation voltage : (Dielectric)	320 V		
Rated impulse withstand:	2500 V		
Polution degree:	3		
Thermal current:	10 A		
Short circuit withstand:	SCPD 10 A quick acting fuse (IEC 269.1 gG-type)		
Contact material:	Silver		
Circuit type:	1NO/1NC Direct opening Single pole, single throw, double break Contact type Z _b - the 2 contact elements are electrically separated		
Cable/leadwire:	Outside cable Ø 6.0 mm to 9.0 mm (0.24 in to 0.35 in) Leadwire 0,75 mm ² to 1,5 mm ² (16-18 AWG)		
Shock:	50 g conforming to IEC 68-2-27 (BS 2011, Part 2.1 Ea) (actuator not fitted)		
Vibration:	10 g conforming to IEC 68-2-6 (BS 2011, Part 2.1 Fc) (actuator not fitted)		
Bump:	40 g conforming to IEC 68-2-29 (BS 2011, Part 2 LeB)		

Order guide

Description	Catalogue Listing
Side Rotary Lever	EVN2000A
Top Pin Plunger	EVN2000B
Top Roller Plunger, Parallel	EVN2000C
Top Roller Plunger, Perpendicular	EVN2000D

EVN2000 Series Limit Switch

Mounting drawings in mm and (inches)



Harax® is a registered trademark of HARTING KGaA

Warranty/Remedy

Honeywell warrants goods of its manufacture as being free of defective material and faulty workmanship. Contact your local sales office for warranty information. If warranted goods are returned to Honeywell during that period of coverage, Honeywell will repair or replace without charge those items it finds defective. **The foregoing is Buyer's sole remedy and is in lieu of all other warranties, expressed or implied, including those of merchantability and fitness for a particular purpose.**

While we provide application assistance, personally, through our literature and the Honeywell web site, it is up to the customer to determine the suitability of the product in the application.

Specifications may change at any time without notice. The information we supply is believed to be accurate and reliable as of this printing. However, we assume no responsibility for its use.

Sales and Service

Honeywell serves its customers through a worldwide network of sales offices and distributors. For application assistance, current specifications, pricing or name of the nearest Authorised Distributor, contact your local sales office or: INTERNET: www.honeywell.com/sensing
E-mail: info.sc@honeywell.com

ASIA PACIFIC

**Control Products
Asia Pacific Headquarters**
Phone: +(65) 6355-2828
Fax: +(65) 6445-3033

Australia
Honeywell Limited
Phone: +(61) 2-9370-4500
FAX: +(61) 2-9370-4525
Toll Free 1300-36-39-36
Toll Free Fax: 1300-36-04-70

China – PRC – Beijing
Honeywell China Inc.
Phone: +(86-10) 8458-3280
Fax: +(86-10) 8458-3102

China – PRC – Shanghai
Honeywell China Inc.
Phone: (86-21) 6237-0237
Fax: (86-21) 6237-1237

China – Hong Kong S.A.R.
Honeywell Ltd.
Phone: +(852) 2953-6412
Fax: +(852) 2953-6767

Indonesia
Honeywell Indonesia Pte Ltd.
Phone: +(62) 21-535-8833
FAX: +(62) 21-5367 1008

India
TATA Honeywell Ltd.
Phone: +(91) 20 6870 445/
446
Fax: +(91) 20 681 2243/ 687
5992

Japan
Honeywell Inc
Phone: +(81) 3 5440 1425
Fax: +(81) 3 5440 1368

South Korea

Honeywell Korea Co Ltd
Phone: +(822) 799-6167
Fax: +(822) 792-9013

Malaysia
Honeywell Engineering Sdn
Bhd
Phone: +(60-3) 7958-4988
Fax: +(60-3) 7958-8922

New Zealand
Honeywell Limited
Phone: +(64-9) 623-5050
Fax: +(64-9) 623-5060
Toll Free (0800) 202-088

Philippines
Honeywell Systems
(Philippines) Inc.
Phone: +(63-2) 636-1661 /
1662
Fax: +(63-2) 638-4013

Singapore
Honeywell South East Asia
Phone: +(65) 6355-2828
Fax: +(65) 6445-3033

Thailand
Honeywell Systems (Thailand)
Ltd.
Phone: +(662) 693-3099
FAX: +(662) 693-3085

Taiwan R.O.C.
Honeywell Taiwan Ltd.
Phone: +(886-2) 2245-1000
FAX: +(886-2) 2245-3241

EUROPE

Austria
Honeywell Austria GmbH
Phone: +(43) 1 727 80 366/
246
FAX: +(43) 1 727 80 337

Belgium
Honeywell SA/NV
Phone: +(32) 2 728 2522
FAX: +(32) 2 728 2502

Bulgaria
Honeywell EOOD
Phone: +(359) 2 979 00 23
FAX: +(359) 2 979 00 24

Czech Republic
Honeywell spol. s.r.o.
Phone: +(420) 261 123 457
FAX: +(420) 261 123 461

Denmark
Honeywell A/S
Phone: +(45) 39 55 55 55
FAX: +(45) 39 55 55 58

Finland
Honeywell OY
Phone: +(358) 9 3480101
FAX: +(358) 9 34801375

France
Honeywell SA
Phone: +(33) 1 60 19 80 40
FAX: +(33) 1 60 19 81 73

Germany
Honeywell AG
Phone: +(49) 69 8064 444
FAX: +(49) 69 8064 442

Hungary
Honeywell Kft.
Phone: +(361) 451 43 00
FAX: +(361) 451 43 43

Italy

Honeywell S.p.A.
Phone: +(39) 02 92146 450/
456
FAX: +(39) 02 92146 490

The Netherlands
Honeywell B.V.
Phone: +(31) 20 565 69 11
FAX: +(31) 20 565 66 00

Norway
Honeywell A/S
Phone: +(47) 66 76 20 00
FAX: +(47) 66 76 20 90

Poland
Honeywell Sp. zo.o
Phone: +(48) 606 09 64
FAX: +(48) 606 09 01

Portugal
Honeywell Portugal Lda
Phone: +(351 21) 424 50 00
FAX: +(351 21) 424 50 99

Romania
Honeywell Bucharest
Phone: +(40) 1 2110076
FAX: +(40) 1 2103375

**Commonwealth of
Independent States (CIS)**
Z.A.O. Honeywell
Phone: +(7 095) 796 98 36
FAX: +(7 095) 797 99 06

Slovak Republic
Honeywell s.r.o.
Phone: +(421 2) 58 247 403
FAX: +(421 2) 58 247 415

South Africa (Republic of)
Honeywell Southern Africa
Honeywell S.A. Pty. Ltd
Phone: +(27) 11 695 8000
FAX: +(27) 11 805 1504

Spain
Honeywell S.A.
Phone: +(34) 91 313 6100
FAX: +(34) 91 313 6129

Sweden

Honeywell AB
Phone: +(46) 8 775 55 00
FAX: +(46) 8 775 56 00

Switzerland
Honeywell AG
Phone: +(41) 1 855 24 40
FAX: +(41) 1 855 24 45

Turkey
Honeywell Turkey A.S.
Phone: +(90) 216 5756620
FAX: +(90) 216 5756637

Ukraine
Honeywell
Phone: +(380) 44 201 44 74
FAX: +(380) 44 201 44 75

United Kingdom
Honeywell Control Systems
Ltd
Phone: +(44) 1698 481481
FAX: +(44) 1698 481276

**Mediterranean & African
Distributors**
Honeywell SpA
Phone: +(39) 2 921 46 232
FAX: +(39) 2 921 46 233

Middle East Headquarters
Honeywell Middle East Ltd.
Phone: +(9712) 443 2119
FAX: +(9712) 443 2536

NORTH AMERICA

Canada
Honeywell LTD
Phone: 1-800-737-3360
FAX: 1-800-565-4130

USA
Honeywell
Sensing and Control
Phone: 1-800-537-6945
1-815-235-6847
FAX: 1-815-235-6545
E-mail:
info.sc@honeywell.com

LATIN AMERICA

Argentina
Honeywell S.A.I.C.
Phone: +(54-11) 4383-3637
FAX: +(54-11) 4325-6470

Brazil
Honeywell do Brasil & Cia
Phone: +(55-11) 7266-1900
FAX: +(55-11) 7266-1905

Chile
Honeywell Chile, S.A.
Phone: +(56-2) 233-0688
FAX: +(56-2) 231-6679

Columbia
Honeywell Columbia, S.A.
Phone: +(57-1) 623-3239/
3051
FAX: +(57-1) 623-3395

Ecuador
Honeywell S.A.
Phone: +(593-2) 981-560/1
FAX: +(593-2) 981-562

Mexico
Honeywell S.A. de C.V.
Phone: +(52) 55 5259-1966
FAX: +(52) 55 5570-2985

Puerto Rico
Honeywell Inc.
Phone: +(809) 792-7075
FAX: +(809) 792-0053

Venezuela
Honeywell CA
Phone: +(58-2) 238-0211
FAX: +(58-2) 238-3391

This publication does not constitute a contract between Honeywell and its customers. The contents may be changed at any time without notice. It is the customer's responsibility to ensure safe installation and operation of the products. Detailed mounting drawings of all products illustrated are available on request.
© 2003 Honeywell International Inc.

Honeywell

Sensing and Control

www.honeywell.com/sensing

Honeywell Control Systems Ltd
Newhouse Industrial Estate
Motherwell, Lanarkshire ML1 5SB
Scotland, UK

X-ON Electronics

Largest Supplier of Electrical and Electronic Components

Click to view similar products for [Limit Switches](#) category:

Click to view products by [Honeywell](#) manufacturer:

Other Similar products are found below :

[6LS2-4PG](#) [5ML1-E1](#) [5ML31](#) [LZG1](#) [LZL1-6C](#) [622EN114-R](#) [622EN18-6](#) [622EN224-6B](#) [622EN230](#) [622EN237-R](#) [622EN69-3](#) [622EN85-RB](#)
[MA-10019](#) [6PA109](#) [7LS51](#) [83547001](#) [83725002](#) [83830001](#) [83840001](#) [83840701](#) [83841001](#) [83870104](#) [83881140](#) [8AS42](#) [8LS10](#) [8LS125-](#)
[4PG](#) [8LS152-4PGN20](#) [914CE16-3A](#) [914CE3-3L1](#) [915PA10](#) [91MCE16-P2O](#) [924CE16-Y3](#) [924CE1-S6](#) [924CE1-T25A](#) [924CE1-T3](#) [924CE1-](#)
[T9A](#) [924CE2-T9](#) [924CE31-Y20-X5](#) [924CE31-Y3L1](#) [GL-10054](#) [GL-85710](#) [GL-85714](#) [GLAB26J2B](#) [GLDB03C-6](#) [GLZ324](#) [PS21R-](#)
[NT11N7-YK0](#) [D4A-1106N](#) [D4A-3E02N](#) [D4A-4510N](#) [D4A-4516N](#)