

Series 79 Micro-Crimp Section E: Panel Mount Connectors, Crimp Termination



PANEL RECEPTACLES WITH PIN CONTACTS, CRIMP TERMINATION, 790-026P



790-026P connectors are designed for rear-panel mounting and are supplied with conductive panel gaskets. These connectors feature machined aluminum shells, fluorosilicone face seals and wire grommets for environmental protection. Contacts are rear-release snap-in crimp type. Connectors are supplied with crimp contacts packaged separately. Size #23 signal pins accept up to #22 AWG wire. Size #16 contacts accept #16-18 AWG wire. Size #12 contacts accept #12-14 AWG wire. Size 12 and 16 cavities also accept coaxial contacts purchased separately. Attach optional shielding adapters (799-016) for EMI protection.

HOW TO ORDER

Sample Part Number

790-026P

L-6P6

MT

G

| Part Number | Shell Size - Insert Arr. | Shell Finish | Hardware Option |
|--|--|---|--|
| 790-026P Rear Panel Mounted Receptacle with Pin Contacts | See Table 1 for Available Insert Arrangements To order a connector without size #16 or #12 power pins, substitute "W" instead of "P" in the insert arrangement. Example: 36P2 is supplied with 2 power pins. 36W2 is supplied less the power pins. See Section B for coaxial contacts purchased separately. | M Electroless Nickel <i>general purpose applications</i> MT Nickel-PTFE 1000 Hour Grey™ <i>maximum corrosion protection and durability (non-reflective grey)</i> ZNU Zinc-Nickel with Black Chromate <i>tactical applications (non-reflective black)</i> Additional shell finishes are listed on page C-9. | N No Hardware G Guide Pin P Female Jackpost S Female Guide Socket |

SPECIFICATIONS

| | |
|---------------------------------|---|
| Current Rating | #23 5 AMPS, #16 13 A., #12 23 A. |
| Dielectric Withstanding Voltage | #23 500 VAC RMS, #12 and #16 1800 VAC RMS |
| Insulation Resistance | 5000 megohms minimum |
| Operating Temperature | -65° C. to +150° C. |
| Shock | 300 g. |
| Vibration | 37 g. |

MATERIALS AND FINISHES

| | |
|---------------------------|--|
| Shell | Aluminum alloy |
| Contacts | Copper alloy, 50 microinches gold plated |
| Insulators | Liquid crystal polymer (LCP) |
| Retention Clips | Beryllium copper alloy |
| Interfacial Seal, Grommet | Fluorosilicone rubber |
| Hardware | 300 series stainless steel |
| Panel Gasket | Fluorosilicone, conductive |

Dimensions in inches (millimeters) and are subject to change without notice.

Table 1 Contact Arrangements

| Layout | Contact Quantity | | | Face View |
|--------|------------------|-----|-----|-----------|
| | #23 | #16 | #12 | |
| A-5 | 5 | | | |
| B-2P2 | 2 | | | |
| B-9 | 9 | | | |
| C-13 | 13 | | | |
| D-15 | 15 | | | |
| D-3P3 | 3 | | | |
| D-7P2 | 5 | 2 | | |
| E-11P2 | 9 | 2 | | |
| E-19 | 19 | | | |
| E-7P3 | 4 | 3 | | |
| F-15P2 | 13 | 2 | | |
| F-23 | 23 | | | |
| F-5P5 | 5 | | | |
| G-33 | 33 | | | |
| H-10P4 | 6 | 4 | | |
| H-29P7 | 22 | 7 | | |
| H-36P2 | 34 | 2 | | |
| H-54P2 | 52 | 2 | | |
| H-5P5 | | 5 | | |
| H-66 | 66 | | | |
| J-17P4 | 13 | 4 | | |
| J-25P2 | 23 | 2 | | |
| J-33 | 33 | | | |
| J-7P7 | 7 | | | |
| K-27P4 | 23 | 4 | | |
| K-35P2 | 33 | 2 | | |
| K-43 | 43 | | | |
| K-9P9 | 9 | | | |
| L-6P6 | | 6 | | |

CROSS-SECTIONAL VIEW OF 790-026P

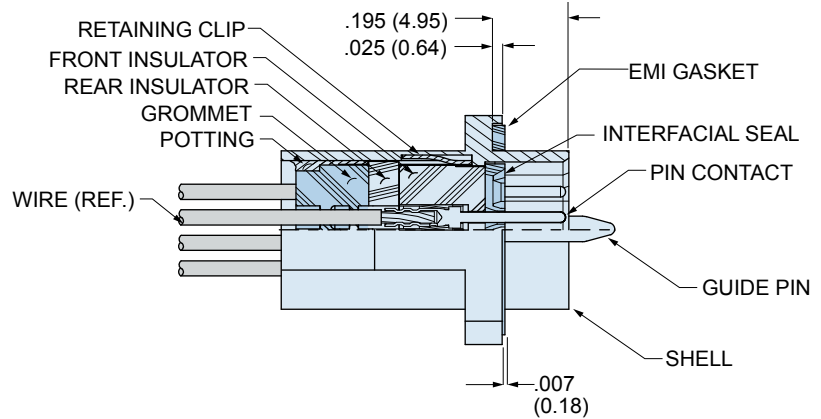
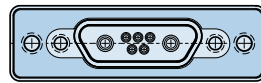
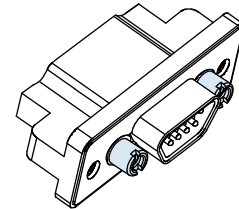


TABLE 2 HARDWARE OPTION



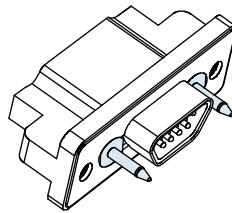
N
No Mating Hardware

Connector is supplied with threaded holes. Shell sizes H and L have #6-32 threads, other sizes have #4-40 threads. Thread depth is .150" (3.8).



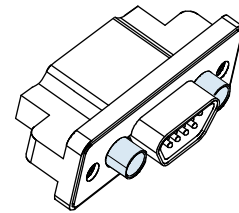
P
Jackposts

Connector is supplied with non-removable stainless steel jackposts. Shell sizes H and L have #4-40 UNC thread, other sizes have #2-56 thread. Stainless steel.



G
Guide Pins

Connector is supplied with stainless steel non-removable guide pins. Mates with type "S" guide sockets on corresponding plug connector.



S
Guide Sockets

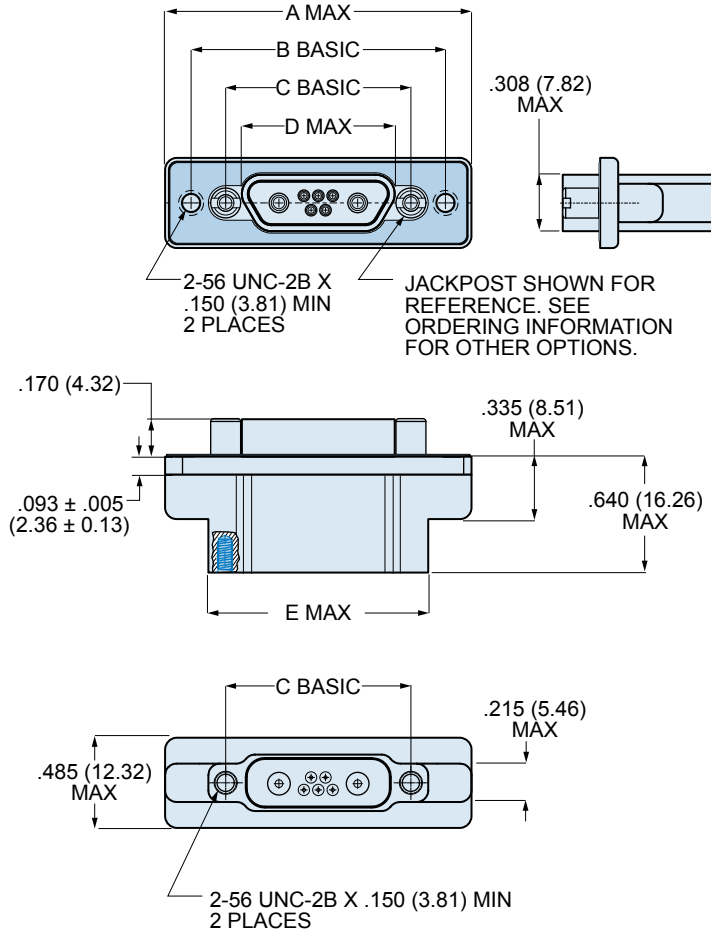
Connector is supplied with stainless steel non-removable bushings. Mates with type "G" guide pins on corresponding plug connector.

Dimensions in inches (millimeters) and are subject to change without notice.

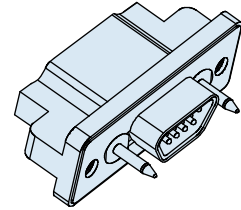
Series 79 Micro-Crimp Section E: Panel Mount Connectors, Crimp Termination



790-026P SHELL SIZE A,B,C,D,E,F,J,K DIMENSIONS



BLIND MATE



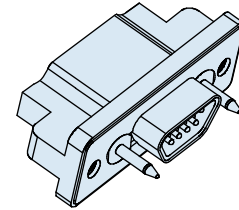
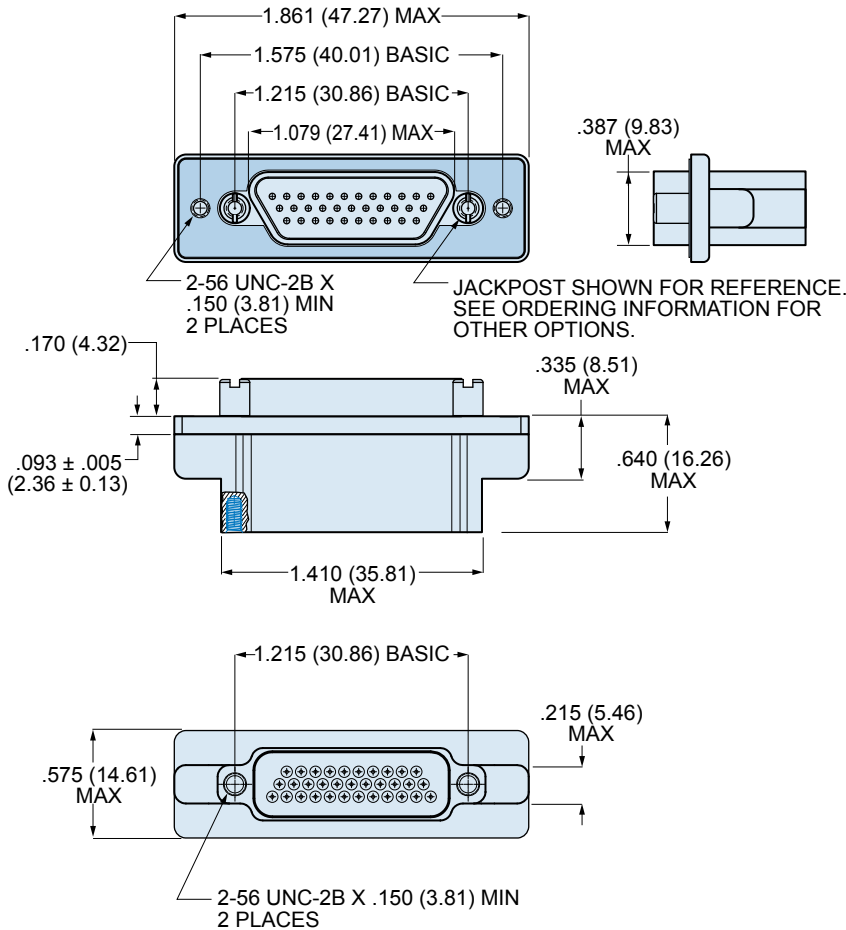
SHELL SIZES A, B, C, D, E, F, G, J, K
+/- .030 (0.76) ALLOWABLE
MISALIGNMENT FROM CENTERLINE

| 790-026P Dimensions for Size A-F, J and K | | | | | | | | | | |
|---|--------|-------|---------|-------|---------|-------|--------|-------|--------|-------|
| Shell Size | A Max. | | B Basic | | C Basic | | D Max. | | E Max. | |
| | In. | mm. | In. | mm. | In. | mm. | In. | mm. | In. | mm. |
| A | 1.211 | 30.76 | .925 | 23.50 | .565 | 14.35 | .401 | 10.19 | .760 | 19.30 |
| B | 1.361 | 34.57 | 1.075 | 27.31 | .715 | 18.16 | .551 | 14.00 | .910 | 21.11 |
| C | 1.511 | 38.38 | 1.225 | 31.12 | .865 | 21.97 | .701 | 17.81 | 1.060 | 26.92 |
| D | 1.611 | 40.92 | 1.325 | 33.66 | .965 | 24.51 | .801 | 20.35 | 1.160 | 29.46 |
| E | 1.761 | 44.73 | 1.475 | 37.47 | 1.115 | 28.32 | .951 | 24.16 | 1.310 | 33.27 |
| F | 1.911 | 48.54 | 1.625 | 41.28 | 1.265 | 32.13 | 1.101 | 27.96 | 1.460 | 37.08 |
| J | 2.261 | 57.43 | 1.975 | 50.17 | 1.615 | 41.02 | 1.460 | 37.08 | 1.810 | 45.97 |
| K | 2.661 | 67.59 | 2.375 | 60.33 | 2.015 | 51.18 | 1.860 | 47.24 | 2.210 | 56.13 |

Dimensions in inches (millimeters) and are subject to change without notice.

790-026P SHELL SIZE G DIMENSIONS

BLIND MATE



SHELL SIZES A, B, C, D, E, F, G, J, K
+/- .030 (0.76) ALLOWABLE
MISALIGNMENT FROM CENTERLINE

Dimensions in inches (millimeters) and are subject to change without notice.

© 2009 Glenair, Inc.

CAGE Code 06324

Printed in U.S.A.

GLENAIR, INC. • 1211 AIR WAY • GLENDALE, CA 91201-2497 • 818-247-6000 • FAX 818-500-9912

www.glenair.com

E-4

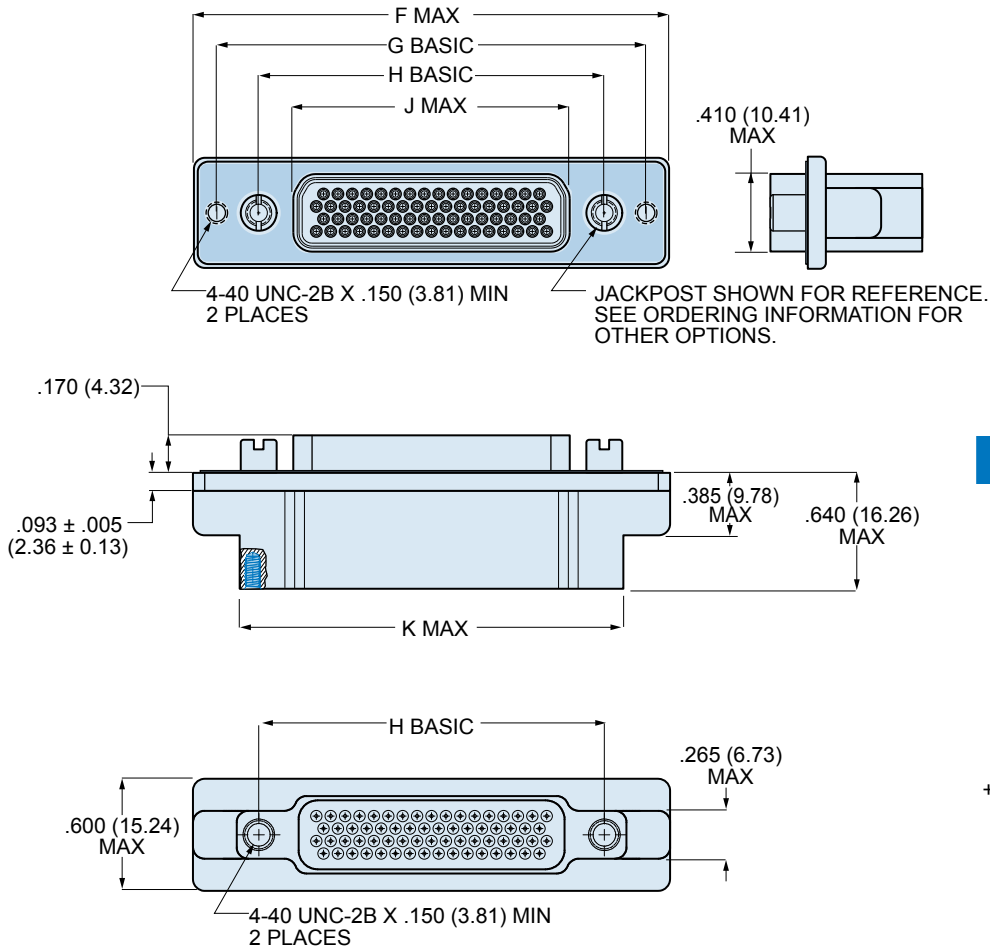
E-Mail: sales@glenair.com

Rev. 04-July-2009

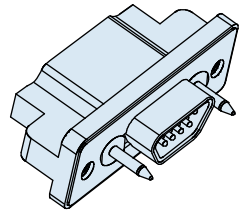
Series 79 Micro-Crimp Section E: Panel Mount Connectors, Crimp Termination



790-026P SHELL SIZE H AND L DIMENSIONS



BLIND MATE



SHELL SIZES H, L
+/- .040 (1.02) ALLOWABLE MISALIGNMENT
FROM CENTERLINE

790-026P SIZE H & L DIMENSIONS

| Shell Size | F Max. | | G Basic | | H Basic | | J Max. | | K Max. | |
|------------|--------|-------|---------|-------|---------|-------|--------|-------|--------|-------|
| | In. | mm. | In. | mm. | In. | mm. | In. | mm. | In. | mm. |
| H | 2.500 | 63.50 | 2.236 | 56.79 | 1.800 | 45.72 | 1.450 | 36.83 | 2.045 | 51.94 |
| L | 2.736 | 69.49 | 2.472 | 62.79 | 2.036 | 51.71 | 1.686 | 42.82 | 2.281 | 57.94 |

Dimensions in inches (millimeters) and are subject to change without notice.

X-ON Electronics

Largest Supplier of Electrical and Electronic Components

Click to view similar products for [D-Sub Micro-D Connectors](#) category:

Click to view products by [Glenair](#) manufacturer:

Other Similar products are found below :

[M243082311F](#) [M2430834F](#) [M24308/4-6F](#) [65-1920-15](#) [M83513/01-HN](#) [M83513/03-A10N](#) [M83513/03-B14C](#) [M83513/03-D09C](#) [M83513/03-D11N](#) [M83513/03-G02N](#) [M83513/03-G05N](#) [M83513/03-G08C](#) [M83513/03-G09N](#) [M83513/03-G12N](#) [M83513/03-H13N](#) [M83513/04-E15N](#) [M83513/04-G04C](#) [M83513/10-E01NP](#) [M83513/13-B01NP](#) [M83513/13-C01NN](#) [M83513/16-A01CP](#) [M83513/22-D01NP](#) [M83513/25-B01NP](#) [6R2004A30F015](#) [6R4006A28A120](#) [703006A13F060](#) [704002A03F200](#) [705001A13F120](#) [7-1532020-5](#) [748567-1-P](#) [MDB1-31SH003](#) [MDM-15PBS-L58](#) [MDM-15PCBRM7T](#) [MDM-15PH003B-A174](#) [75-068624-59S](#) [MDM-15PH034B](#) [MDM-15SH001L](#) [MDM-15SH004B](#) [MDM-21PH003K](#) [MDM-25PH003B-A174](#) [MDM-25PHW01F-A174](#) [MDM-37PH006L-A174](#) [MDM-37PH048M5-A174](#) [MDM-37SCBRP-A174](#) [MDM-51PBS-L56](#) [MDM-51PSF](#) [MDM-51SH003M7](#) [MDM-51SSM7-A174](#) [MDM-9PBSP-L58](#) [MDM-9PH003M7](#)