



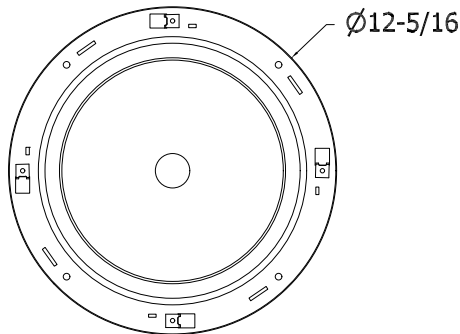
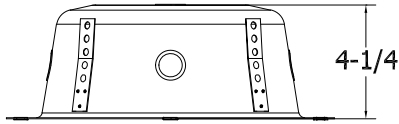
Quam



ERD-8 ERD8U

Back Box / Mounting Device UL Listed

0401.1—FLUSH MOUNTED, ROUND



ERD-8 SHOWN



ERD8U Shown

GENERAL DESCRIPTION

The Quam ERD-8 or ERD8U is a UL Listed (UUMW), round, steel loudspeaker back box. A circular, molded expanded polystyrene damping pad is fitted to the inside top of the enclosure.

Finish: White baked epoxy hybrid.

INTENDED USE

Use with recommended additional Quam components to complete a loudspeaker assembly used in an indoor environment.

SYSTEM COMPONENTS

N/A

RECOMMENDED ADDITIONAL QUAM COMPONENTS

- 0402 - Loudspeaker Mounting Devices, SSB-2
- 0401.2 - Speaker, Transformer, Baffle & Volume Control
- OR
- 0104.3 - Speaker, Transformer, Baffle & Universal Knob Control

MECHANICAL SPECIFICATIONS

Height	4-1/2"
Diameter (Flange Max)	12-5/16"
Bottom Diameter	9-3/4"
Top Diameter	8-1/2"
Internal Displacement	275 cu. in.

ATTACHMENT POINTS

	TOP	SIDE
ERD-8	--	4x welded
ERD8U	--	2x snap-in

ELECTRICAL ACCESS

	TOP	SIDE
ERD-8	1x	4x - 90° apart
ERD8U	1x	4x - 90° apart

All devices connect with twist-tabs to support bridge.

Recommended construction sequences, installation instructions and A&E Specifications are available in various formats on the Quam Architects' and Engineers' Resources CD or on the web at: www.quamspeakers.com

04 BACK BOXES / MOUNTING DEVICES

04

Quam-Nichols Company

234 East Marquette Road, Chicago, IL 60637
 Phone: (800) NEED NOW Fax: (888) NEED NOW
 (800) 633 - 3669 (888) 633 - 3669
 E-Mail: neednow@qnc.com www.quamspeakers.com



ERD8 Series Back Can (UL Listed UUMW) intended for use with QUAM SSB-x Tile Bridge

INTENDED USE:

All versions: Indoor environment, COMPLETE ASSEMBLY AS SHOWN mounted parallel to floor plane in a 24" wide, suspended ceiling tile grid; mount height 18' or less above floor plane.

Program material: Signal tones, voice and music.

UL Listed 1480

City of Chicago * Approved

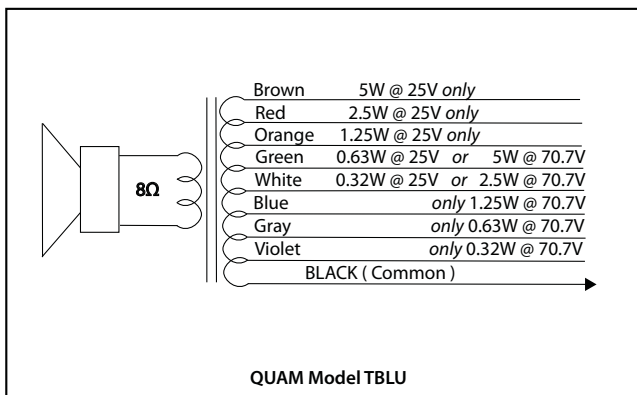
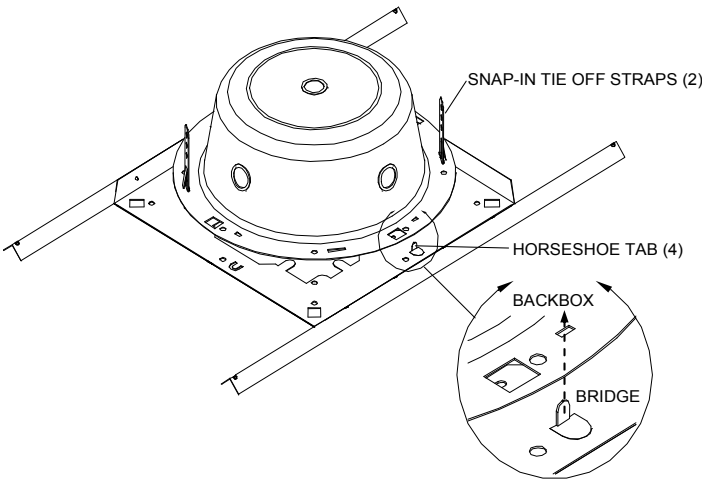
"Material and construction permits use where ceiling plenum is part of the air handling system"

SIGNALING



1. Preparation:

- Cut 8-1/2" square hole in the tile using tile bridge as a template.
- (Refer to specific tile bridge instructions for details)
- Bend up 4x horseshoe tabs on tile bridge
- Position tile bridge on TOP of tile, legs like: **Λ**
- Bend 8x locator tabs around tile in opening
- Install speaker/baffle on opposite of ceiling tile and fasten to tile bridge/tile assembly with 4x #8-32 screws provided with speaker/baffle assembly.



2. Termination:

- Chose entry point to back can and knock out either 1/2" or 3/4" as required
- Install UL Listed metallic enclosure entry fitting into back can knockout to receive plenum cable or plenum Whip.
- Feed supply cable through whip to connector.
- If transformer on assembly is listed as TBLU, install per wiring diagram below. For other QUAM transformers, go to www.QuamSpeakers.com / Resources/ Wiring
- Insulate all unused taps from each other, the enclosure and electrical ground.

3. Installation in grid:

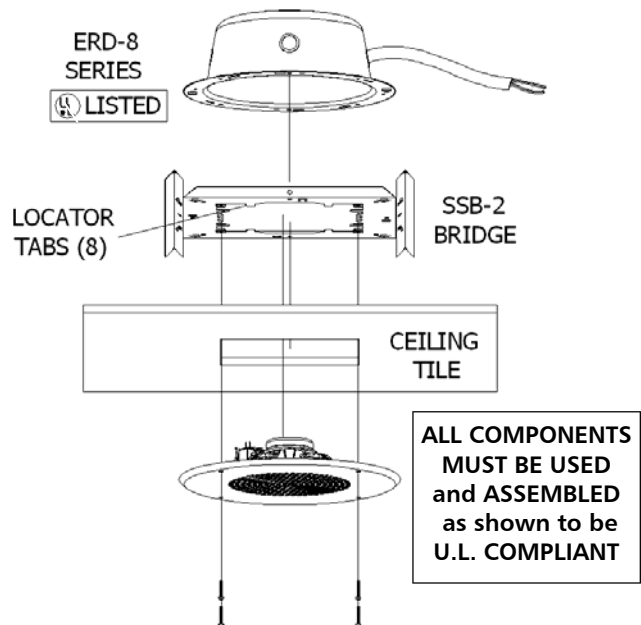
NOTE! AHJ/ local codes may require tie-off to structure.

ERD8U Back Can Only: Snap in 2x tie-off tabs as shown in illustration at left.

- Orient back can over tile bridge, lining up slots with the 4x horseshoe tabs.
- With pliers, twist tabs 1/2 turn, securing back can to bridge assembly.
- Tie-off using straps on back can as required

NOTE! AHJ/ local codes may require tie-down to grid.

Create a hole in the T-bar next to the end of the tile bridge rails; securing with wire through the hole in the end of the rail.



Quam

234 East Marquette Road
Chicago, IL 60637
Phone: (800) NEED NOW (800) 633 - 3669

Fax: (888) NEED NOW (888) 633 - 3669



X-ON Electronics

Largest Supplier of Electrical and Electronic Components

Click to view similar products for [quam nichols](#) manufacturer:

Other Similar products are found below :

[30C25Z450T](#) [8C5Z45](#) [8C10FECOB](#) [ERD-8](#) [4C3PA](#)