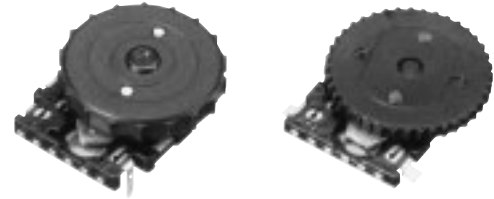


## Edge Drive Jog Encoders

Type: **EVQWK**



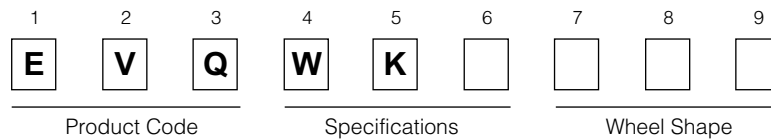
### ■ Features

- Tactile rotary operation and push operation
- Reflow soldering type available
- Anti-electrostatic measures available

### ■ Recommended Applications

- Memory paging and transmitting
- Menu selection and input for Portable Electronic Equipment

### ■ Explanation of Part Numbers

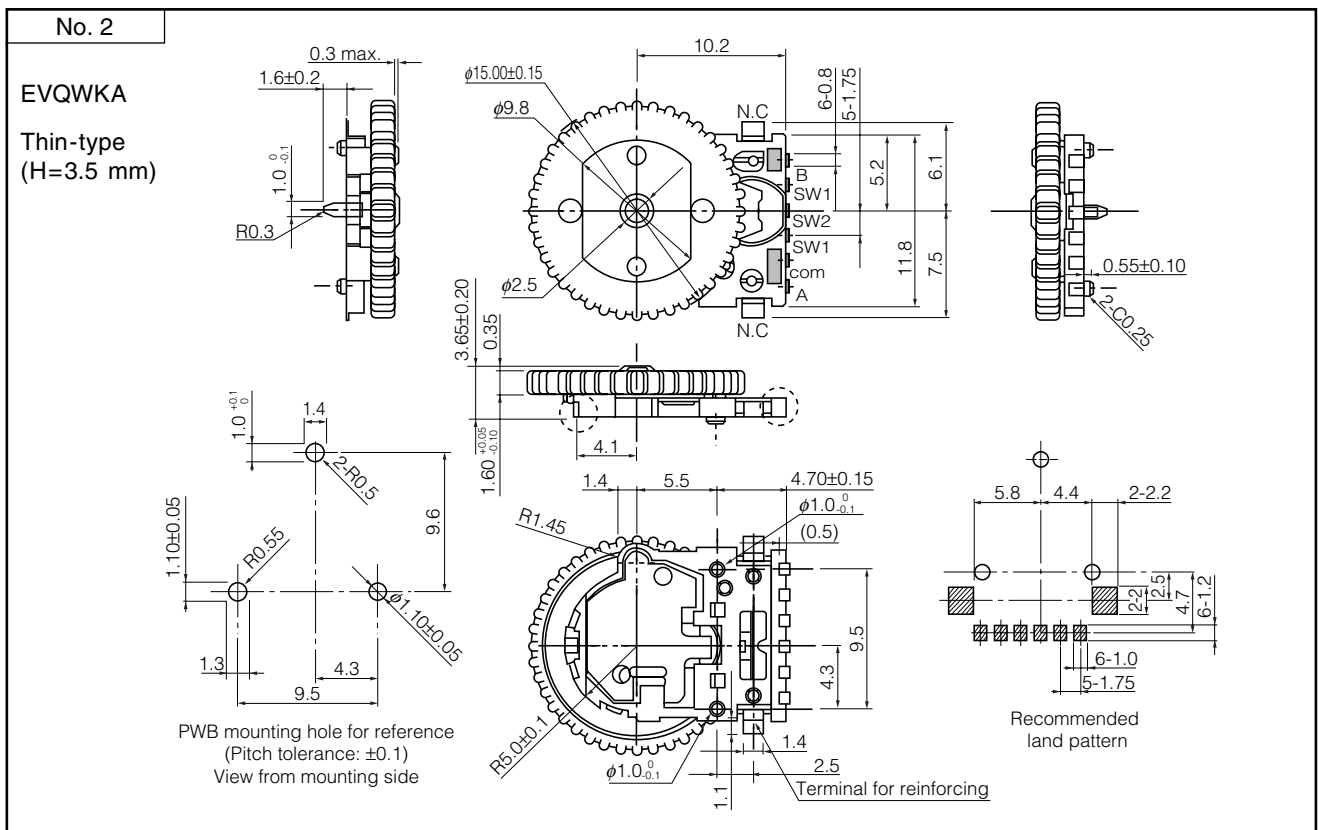
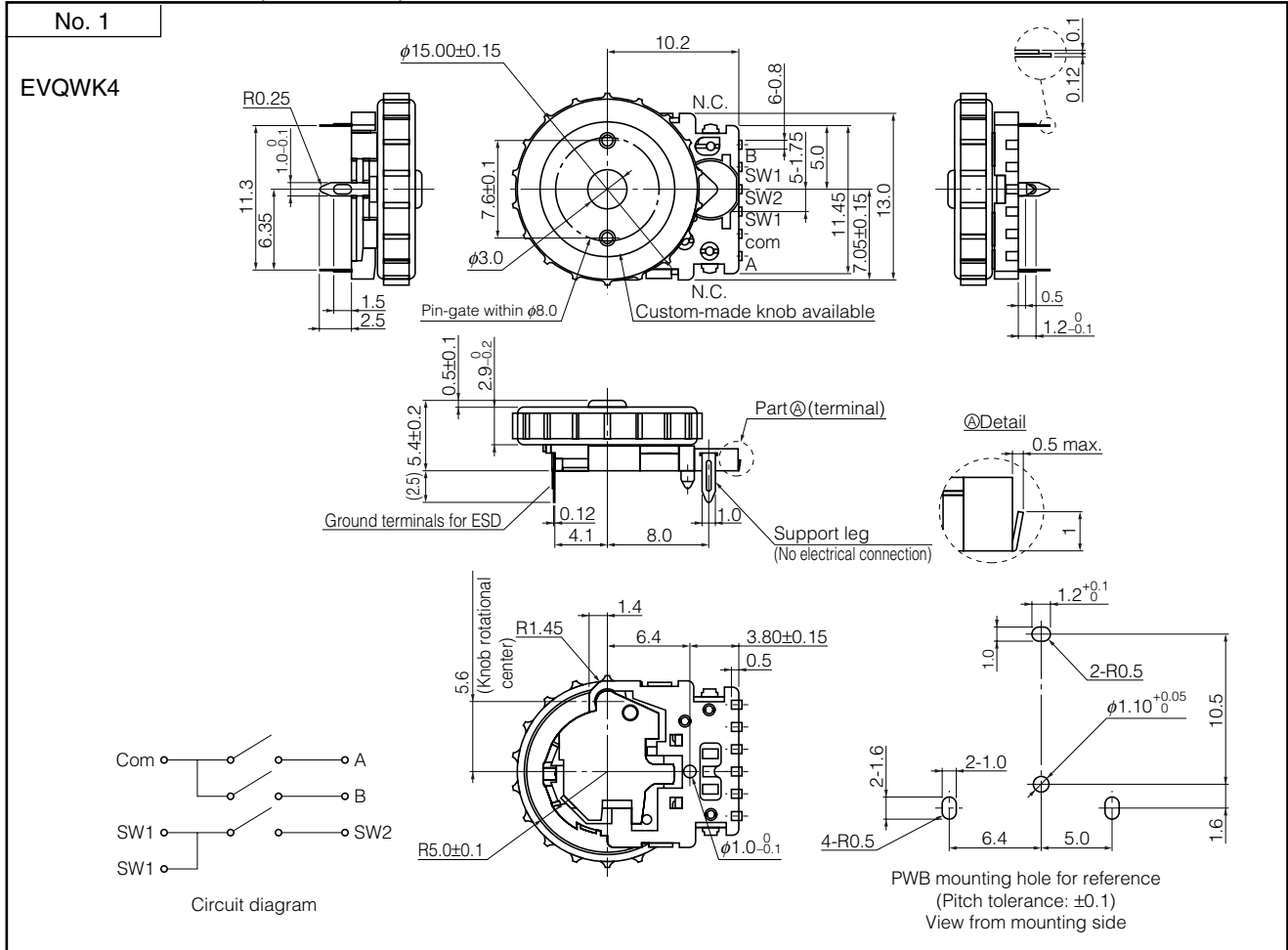


### ■ Specifications

Mechanical	Encoder	Detents	15 points
		Rotation Torque	1 mN·m to 10 mN·m
	Push-on Switch	Travel	0.3 mm (Thin-Type : 0.2 mm)
		Operating Force	4.5 N±1.5 N
Electrical	Encoder	Resolution	15 pulses/360 °
		Output Signals	2-Phases (A and B)
		Contact Resistance	1 Ω max.
	Push-on Switch	Contact Resistance	100 mΩ
Endurance	Encoder	Rotation Life	100000 cycles min.
	Push-on Switch	Operating Life	
Minimum Quantity/Packing Unit			100 pcs. (Tray Pack)
			400 pcs. Embossed Taping (Reel Pack)
Quantity/Carton			1000 pcs.
			1600 pcs.

Design and specifications are each subject to change without notice. Ask factory for the current technical specifications before purchase and/or use. Should a safety concern arise regarding this product, please be sure to contact us immediately.

## ■ Dimensions in mm (not to scale)



Design and specifications are each subject to change without notice. Ask factory for the current technical specifications before purchase and/or use. Should a safety concern arise regarding this product, please be sure to contact us immediately.

## X-ON Electronics

Largest Supplier of Electrical and Electronic Components

*Click to view similar products for [Encoders](#) category:*

*Click to view products by [Panasonic](#) manufacturer:*

Other Similar products are found below :

[6-1393048-5](#) [62AG22-H5-P](#) [62B22-LP-030C](#) [62D22-02-P](#) [62R22-01-040S](#) [63K25](#) [63K32](#) [63KS100](#) [63KS64](#) [63R100](#) [63R50-020](#) [63RS256-060](#) [700-09-36](#) [E6C2-CWZ6C-10 500P/R 5M](#) [E6C3-CWZ5GH 1000P/R 2M](#) [25LB22-G-Z](#) [T101-5C2-111-M1](#) [T101-5C3-111-M1](#) [T101-5C4-111-M1](#) [25LB45-Q-Z](#) [HEDS-8905](#) [385001M0439](#) [385001M0216](#) [DPL12SV2424A25K3](#) [E69-1](#) [E69-DF15](#) [E69-FBA-02](#) [E69-FCA](#) [E6B2-CWZ1X 2000P/R 0.5M](#) [E6B2-CWZ3E 600P/R 0.5M](#) [E6C3-CWZ3EH 800P/R 2M](#) [ENA1D-472-L00050L](#) [61S64-2](#) [62B11-LP-100S](#) [62B11-LPP-P](#) [62C1111-02-020C](#) [62N11-P](#) [62S22-H9-120S](#) [62S30-L0-200C](#) [62V15-02-080S](#) [62V22-02-030C](#) [632911-128](#) [63K64](#) [63KS100-040](#) [63R64-050](#) [63RS256](#) [63RS64](#) [700-16-16](#) [3-1393048-1](#) [63KS128](#)