

PC BOARD CONNECTORS

740 SERIES

■ FEATURES

- Various types of headers are available: one side shrouded, both sides shrouded, with simplified latch, and box type.
- The connector having a simplified latch prevents the connector from working loose because of vibration.
- The mini header has a clip to prevent incorrect insertion.
- A 740 series connector with a power terminal (2 in 1) for SCSI/IDE interface unit connections is also available.

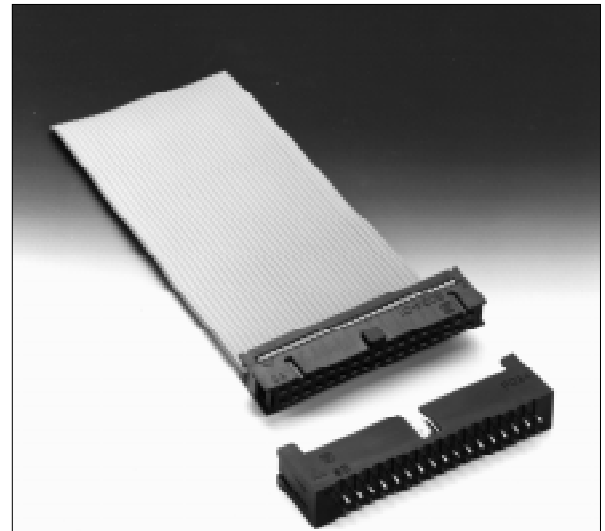
■ SPECIFICATIONS

1. Standard type

Item	Specification
Operating temperature range	-55°C to +105°C
Current rating	DC 1 A
Voltage rating	AC 250 V
Contact resistance	15 mΩ max. (DC 6 V, 0.1 A)
Insulation resistance	1000 MΩ min. (DC 500 V)
Dielectric strength	AC 500 V for 1 minute
Insertion force	3.5 kg max. (10 pins), 10.5 kg max. (30 pins)
Withdrawal force	0.25 kg min. (10 pins), 1.0 kg min. (30 pins)
Applicable wire	Flat cable: 1.27 mm (0.050 in.) pitch AWG #28 (stranded) or AWG #30 (solid)
Applicable PC board (standard)	1.6 mm

2. Power connector integrated type

Item	Specification
Operating temperature range	-55°C to +105°C
Current rating	DC 1 A (signal pin) DC 5 A (power pin)
Voltage rating	AC 250 V
Contact resistance	15 mΩ max. (signal pin, DC 6 V, 0.1 A) 10 mΩ max. (power pin, DC 6 V, 0.3 A)
Insulation resistance	1000 MΩ min. (DC 500 V)
Dielectric strength	AC 500 V for 1 minute (signal pin) AC 1000 V for 1 minute (power pin)
Insertion force	50-contact signal pin: 17.5 kg max. 40-contact signal pin: 14.0 kg max. Power pin (reference value): 8.8 kg max.
Withdrawal force	50-contact signal pin: 2.0 kg max. 40-contact signal pin: 1.5 kg max. Power pin (reference value): 0.8 kg max.
Applicable PC board (standard)	1.6 mm (0.062 in.) (through hole type)



■ MATERIALS

1. Standard type

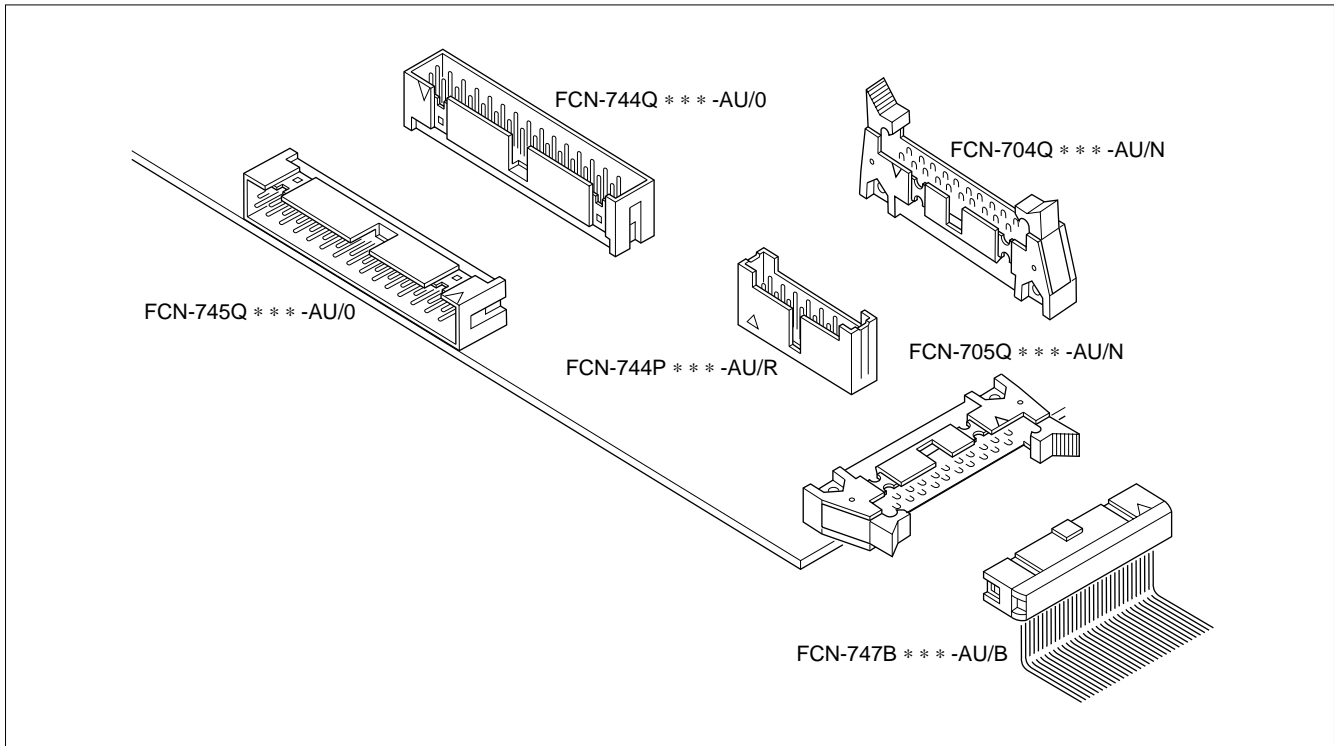
Item	Materials	
Insulating material	Polyester (UL94V-0)	
Conductor	Copper alloy	
Plating	Contact	Gold
	Terminal	Palladium

2. Power connector integrated type

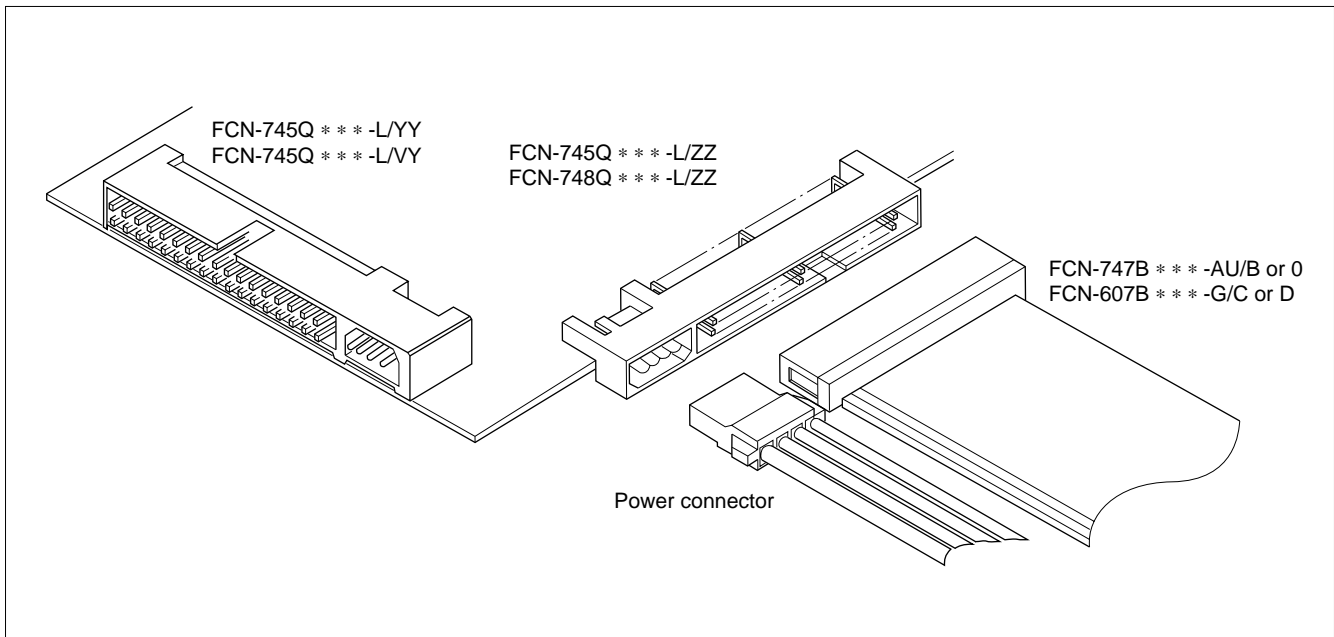
Item	Materials	
Insulating material	Through hole type: Polyester (UL94V-0) SMT type: PPS (UL94V-0)	
Conductor	Copper alloy	
Plating	Signal pin contact	Gold
	Signal pin tail	Palladium
	Power pin	Solder

■ APPLICATION EXAMPLE

1. Standard type

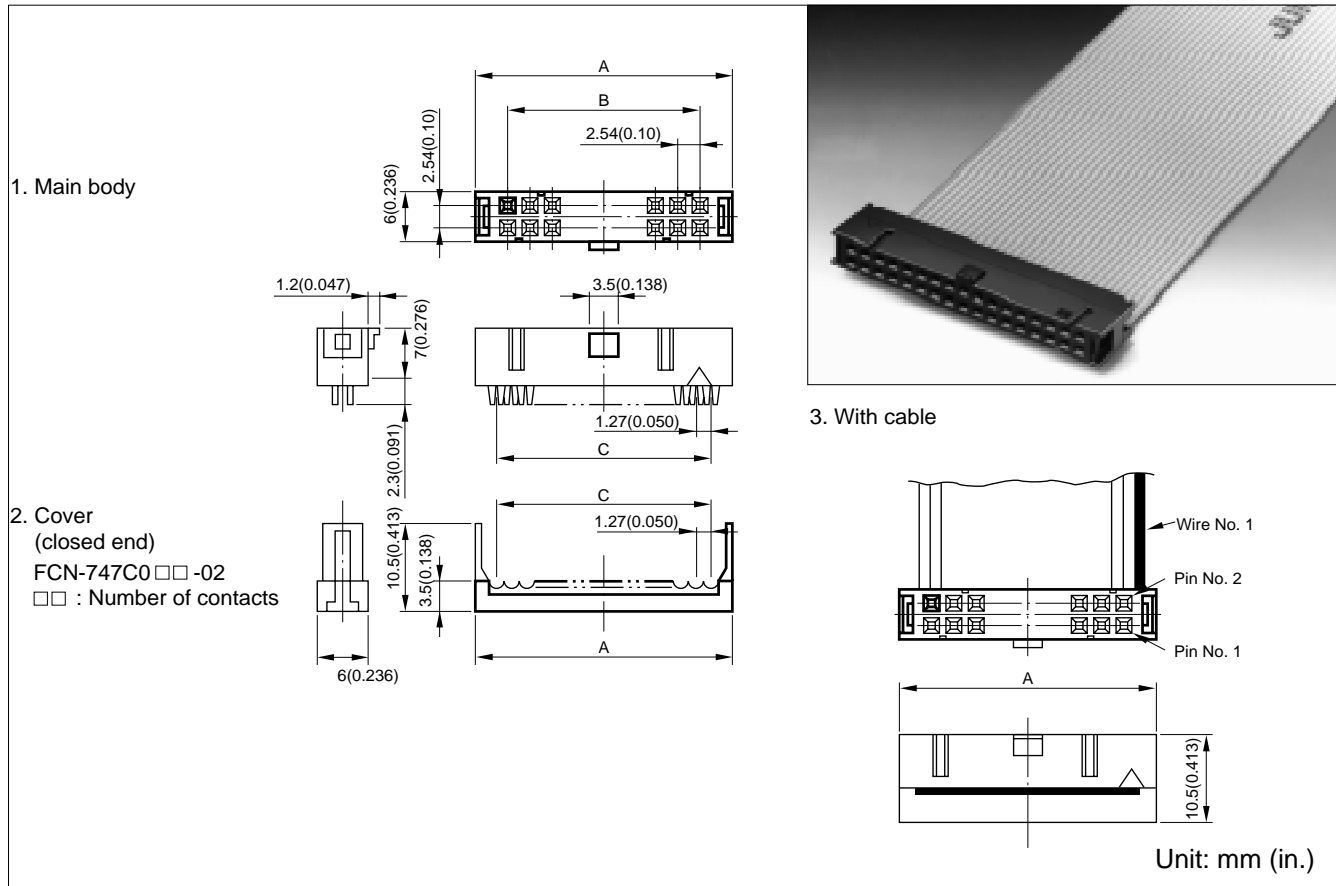


2. Power connector integrated type



IDC SOCKET (BUMP TYPE, CLOSED END COVER)

■ DIMENSIONS

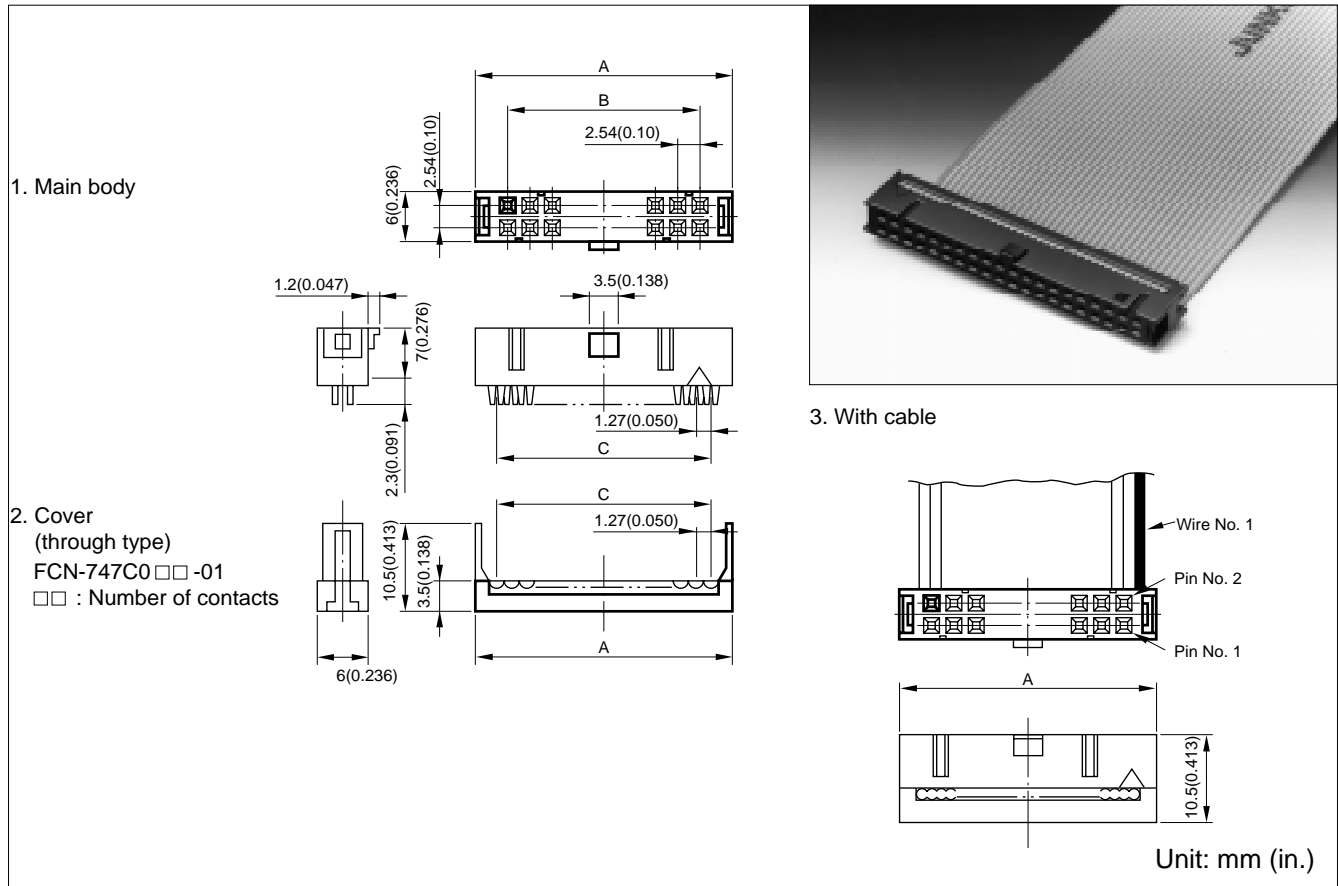


■ PART NUMBERS AND DIMENSIONS

Number of contacts	Part number	Dimensions: mm (in.)			Min. purchase lot quality
		A	B	C	
10	FCN-747B010-AU/B	17.27 (0.680)	10.16 (0.400)	11.43 (0.450)	30
14	FCN-747B014-AU/B	22.35 (0.880)	15.24 (0.600)	16.51 (0.650)	23
16	FCN-747B016-AU/B	24.89 (0.980)	17.78 (0.700)	19.05 (0.750)	21
20	FCN-747B020-AU/B	29.97 (1.180)	22.86 (0.900)	24.13 (0.950)	17
24	FCN-747B024-AU/B	35.05 (1.380)	27.94 (1.100)	29.21 (1.150)	15
26	FCN-747B026-AU/B	37.59 (1.480)	30.48 (1.200)	31.75 (1.250)	14
30	FCN-747B030-AU/B	42.67 (1.680)	35.56 (1.400)	36.83 (1.450)	12
34	FCN-747B034-AU/B	47.75 (1.880)	40.64 (1.600)	41.91 (1.650)	11
40	FCN-747B040-AU/B	55.37 (2.180)	48.26 (1.800)	49.54 (1.950)	9
50	FCN-747B050-AU/B	68.07 (2.680)	60.96 (2.400)	62.23 (2.450)	7
60	FCN-747B060-AU/B	80.77 (3.180)	73.66 (2.900)	74.93 (2.950)	6

IDC SOCKET (BUMP TYPE, THROUGH END COVER)

■ DIMENSIONS



■ PART NUMBERS AND DIMENSIONS

Number of contacts	Part number	Dimensions: mm (in.)			Min. purchase lot quality
		A	B	C	
10	FCN-747B010-AU/0	17.27 (0.680)	10.16 (0.400)	11.43 (0.450)	30
14	FCN-747B014-AU/0	22.35 (0.880)	15.24 (0.600)	16.51 (0.650)	23
16	FCN-747B016-AU/0	24.89 (0.980)	17.78 (0.700)	19.05 (0.750)	21
20	FCN-747B020-AU/0	29.97 (1.180)	22.86 (0.900)	24.13 (0.950)	17
24	FCN-747B024-AU/0	35.05 (1.380)	27.94 (1.100)	29.21 (1.150)	15
26	FCN-747B026-AU/0	37.59 (1.480)	30.48 (1.200)	31.75 (1.250)	14
30	FCN-747B030-AU/0	42.67 (1.680)	35.56 (1.400)	36.83 (1.450)	12
34	FCN-747B034-AU/0	47.75 (1.880)	40.64 (1.600)	41.91 (1.650)	11
40	FCN-747B040-AU/0	55.37 (2.180)	48.26 (1.800)	49.54 (1.950)	9
50	FCN-747B050-AU/0	68.07 (2.680)	60.96 (2.400)	62.23 (2.450)	7
60	FCN-747B060-AU/0	80.77 (3.180)	73.66 (2.900)	74.93 (2.950)	6

Fujitsu Components International Headquarter Offices

Japan

Fujitsu Component Limited
Gotanda-Chuo Building
3-5, Higashigotanda 2-chome, Shinagawa-ku
Tokyo 141, Japan
Tel: (81-3) 5449-7010
Fax: (81-3) 5449-2626
Email: promothq@ft.ed.fujitsu.com
Web: www.fcl.fujitsu.com

North and South America

Fujitsu Components America, Inc.
250 E. Caribbean Drive
Sunnyvale, CA 94089 U.S.A.
Tel: (1-408) 745-4900
Fax: (1-408) 745-4970
Email: marcom@fcai.fujitsu.com
Web: www.fcai.fujitsu.com

Europe

Fujitsu Components Europe B.V.
Diamantlaan 25
2132 WV Hoofddorp
Netherlands
Tel: (31-23) 5560910
Fax: (31-23) 5560950
Email: info@fceu.fujitsu.com
Web: www.fceu.fujitsu.com

Asia Pacific

Fujitsu Components Asia Ltd.
102E Pasir Panjang Road
#04-01 Citilink Warehouse Complex
Singapore 118529
Tel: (65) 6375-8560
Fax: (65) 6273-3021
Email: fcal@fcal.fujitsu.com
www.fcal.fujitsu.com

© 2002 Fujitsu Components America, Inc. All company and product names are trademarks or registered trademarks of their respective owners. Rev. 10/2002

X-ON Electronics

Largest Supplier of Electrical and Electronic Components

Click to view similar products for [FFC & FPC Connectors](#) category:

Click to view products by [Fujitsu](#) manufacturer:

Other Similar products are found below :

[HFW11R-1STE1H1LF](#) [FH29B-100S-0.2SHW\(99\)](#) [FA5S008HP1](#) [FH29B-120S-0.2SHW\(99\)](#) [FH29B-80S-0.2SHW\(99\)](#) [FHS-16](#) [FPH-2022G](#)
[52610-1075](#) [52610-1275](#) [52610-1934](#) [XF3M\(1\)-1415-1B-R100](#) [501864-3091-TR225](#) [0525594033](#) [086210010340800](#) [086222026001800](#)
[52271-2869-CUT-TAPE](#) [62674-201121DLF](#) [62684-36210E9ALF](#) [52610-1675](#) [52746-1671-TR250](#) [10051922-2810EHLF](#) [6-520415-9](#)
[BD021-09A-A1-0350-0200-0550-LD](#) [SFV6R-1STE9HLF](#) [XF3M-2915-1B-R100](#) [1658549-1](#) [62674-221121ALF](#) [46214008010800](#)
[046298003000883](#) [151660622](#) [842-816-2630-035](#) [AYF530665TA](#) [AYF351525](#) [046296011930846+](#) [AYF352325A](#) [046254020000800+](#)
[FH19C-13S-0.5SH\(99\)](#) [FH39J-51S-0.3SHW\(99\)](#) [AYF355125A](#) [AYF530365TA](#) [FH29B-44S-0.2SHW\(99\)](#) [SFW5R-2STAE9LF](#) [AYF351125A](#)
[AYF350725A](#) [62684-502100AHLF](#) [FH39-61S-0.3SHW\(99\)](#) [AYF414035A](#) [10064555-172520HLF](#) [AYF212335A](#) [504754-2500](#)