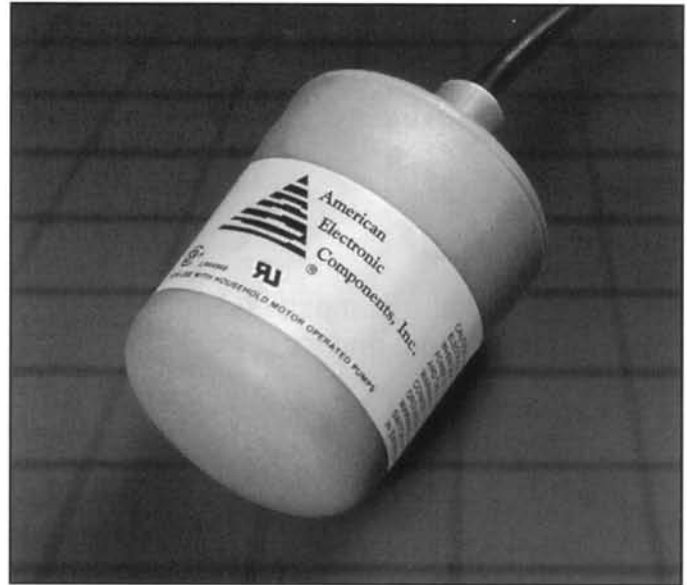




American
Electronic
Components, Inc.

Mechanical Float Switch

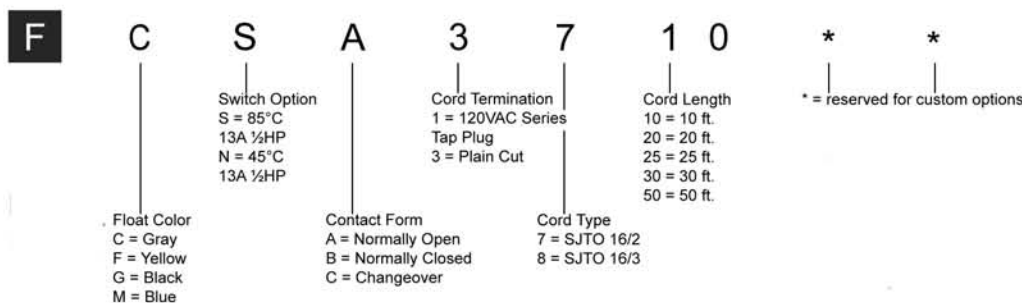
Custom-designed float switch for liquid level control. Designed for use with liquid level warning alarms, pilot duty control of simplex or duplex systems, sump pumps, or any type of high/low operation. Available with standard power cords or custom cords with quick-connect plugs, these floats can serve as original equipment components, retrofit, or as replacement parts.



Part #	Action	Length	Termination	Angle
FCSA3710/20	Open	10/20ft	Blunt Cut	85°
FCSB3710/20	Closed	10/20ft	Blunt Cut	85°
FCSA1710/20	Open	10/20ft	120VAC Plug	85°
FCSB1710/20	Closed	10/20ft	120VAC Plug	85°
FCNA3710/20	Open	10/20ft	Blunt Cut	45°
FCNB3710/20	Closed	10/20ft	Blunt Cut	45°
FCNA1710/20	Open	10/20ft	120VAC Plug	45°
FCNB1710/20	Closed	10/20ft	120VAC Plug	45°

Float Switch Part Number System

Example



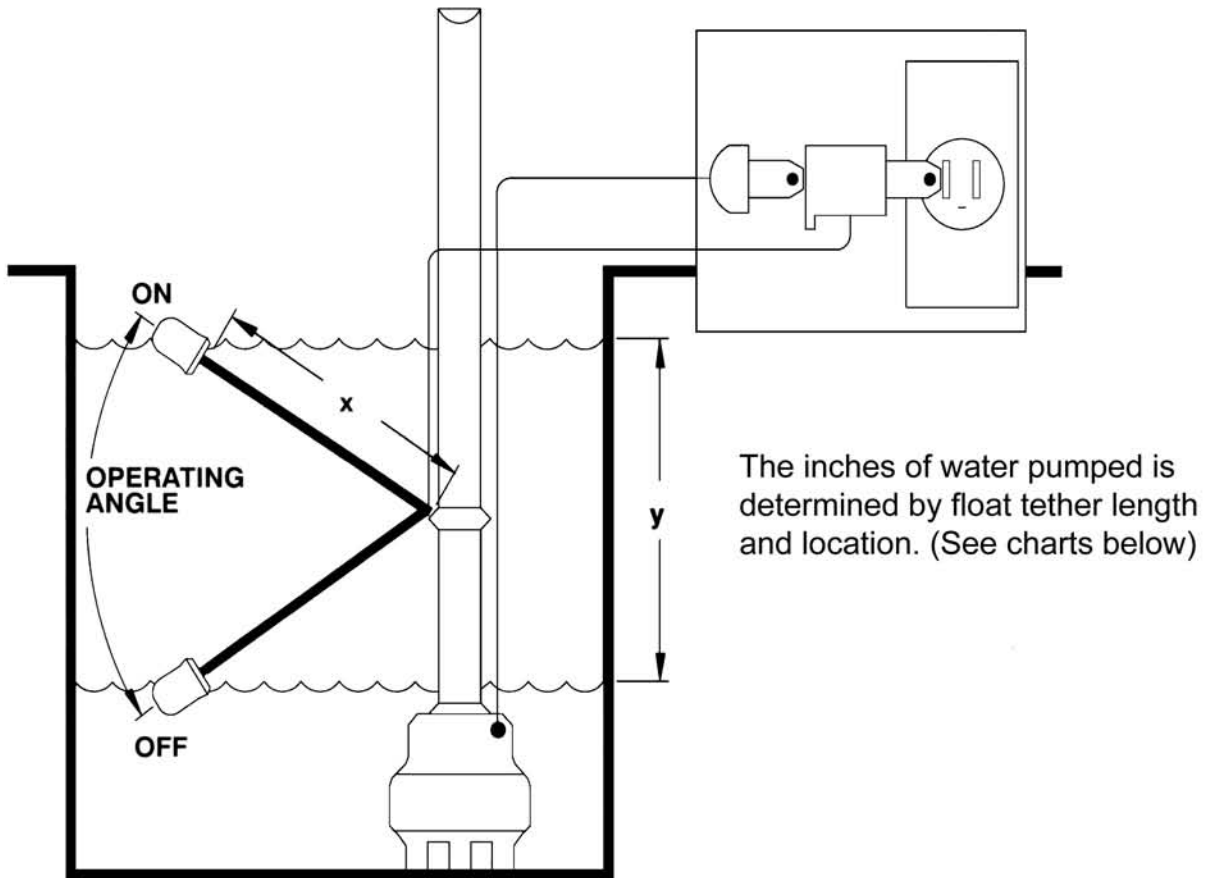
Contact factory for standard part numbers, custom floats or specific float application information.

U.L & C.S.A. listed for 13A, FLA 13A, LRA 43A, and 0.5Hp @ 120/240VAC.

Floats are for use with motor-operated water pumps only, not for swimming pool use.

Recommended operating temperature range is 32°F to 160°F (0°C to 71°C).

Mechanical Float Switch



Wide Angle 85°

Tether length, inches (x)	3	4	6	8	10	12
Water pumped, inches (y)	7	8	11	14	17	21

Narrow Angle 45°

Tether length, inches (x)	3	4	6	8
Water pumped, inches (y)	3.5	4.5	5.5	6

U.L. # E87187
C.S.A. # LR64966

X-ON Electronics

Largest Supplier of Electrical and Electronic Components

Click to view similar products for [durakool](#) manufacturer:

Other Similar products are found below :

[SDA3Z-30K-A](#) [DFC3-301](#) [DG85B-8011-75-1012](#) [DG85B-8011-76-1012-DR](#) [DM84-2012-35-1012](#) [SDA1Z-40K-D](#) [DHS02](#) [DM85-2011-35-1012](#) [SRA1Z-25K-D](#) [SRA2Z-40K-D](#) [SRA3Z-60K-D](#) [DM84-2012-35-5012](#) [SDA1Z-15K-D](#) [SDA3Z-30K-D](#) [SDA1Z-80K-A](#) [SDA1Z-80K-D](#) [SRA3Z-80K-D](#) [DG19-8011-15-1012-81](#) [DG85C-8021-75-1024](#) [A1/2-001](#) [DM84-2012-35-1024](#) [SIM212-12VDC](#) [SRA1Z-10K-D](#) [SRA3Z-60K-A](#) [SRA1Z-40K-D](#) [SRA1Z-60K-A](#) [2023](#) [SRA1Z-40K-A](#) [SRA1Z-10K-A](#) [SRA1Z-40L-A](#) [5002](#) [SRA1Z-25K-A](#) [SIM112](#) [16VDC](#) [SRA1Z-60K-D](#) [DG20-8011-35-1012](#) [DG85CM-5021-76-1012](#) [SRA1Z-100K-A](#) [DG85B-8011-96-1006-M1](#) [SRA1Z-15L-D](#) [SRA1Z-25L-A](#) [DTP1](#) [SRA1Z-80K-A](#) [SRA1Z-25L-D](#) [SRA1Z-100K-D](#) [SRA1Z-80L-D](#) [SRA1Z-15L-A](#) [SRA1Z-100L-D](#) [SRA1Z-40L-D](#) [SRA1Z-60L-A](#) [SRA1Z-80L-A](#)