

Series 31

Characteristics

The compact 16mm Series 31 is especially suited for:

- Raised design
- PCB (with adaptor)

This series is ideally suited for combined use with Series 51.

Functions

The Series 31 incorporates the following functions:

- Indicator
- Pushbutton
- Illuminated pushbutton
- Buzzer

Market segments

The EAO Series 31 is especially suited for applications in the segments:

- Machinery and Automation
- Panel building

Please refer to the EAO website to obtain detailed information regarding this series www.products.eao.com
Configure a product to your exact needs and request a quotation.



Overview**Raised design**

| | |
|------------------------|---|
| Indicator | 4 |
| Buzzer | 6 |
| Illuminated pushbutton | 7 |

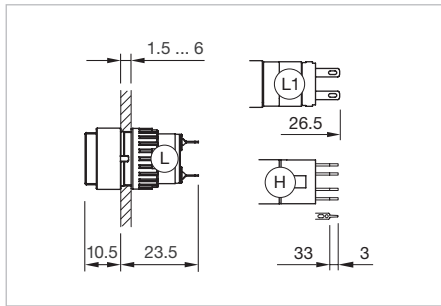
Accessoires 11**Drawings** 23**Technical data** 24**Marking** 27**Guidelines for use** 28**Index** 29

31 Raised design

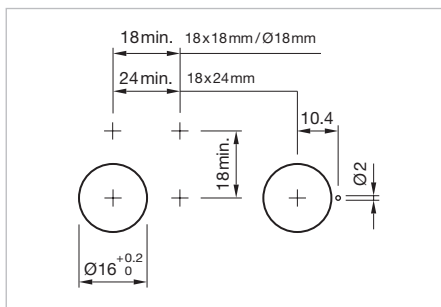
Indicator, IP 40



Product can differ from the current configuration.



Dimensions [mm]
 H = Universal terminal 2.0 x 0.5 mm,
 L = Solder terminal,
 L1 = Solder terminal 2.8 x 0.5 mm



Mounting cut-outs [mm]


Equipment consisting of (schematic overview)

| | | |
|--|-------------------|--|
| | Lens | page(SI=BR31_AGAE_Druckhaube_Kunststoff) |
| | Single-LED | page(SI=BR31_AGAE_Single-LED) |
| | Actuator | |
| | Fixing nut | |

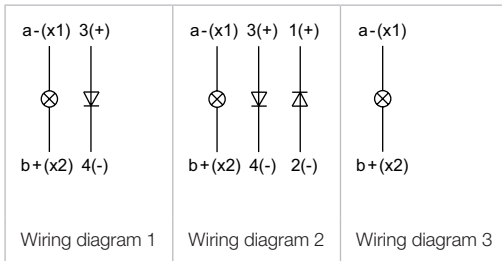
Each Part Number listed below includes all the black components shown in the 3D-drawing.

To obtain a complete unit, please select the red components from the pages shown.

| Diode 1N4007 | Terminal | Part No. | Component layout | Wiring diagram | Weight |
|--------------|---|-------------------|------------------|----------------|----------|
| | Indicator actuator, Front dimension 18 x 18 mm | | | | |
| 1 | Universal 2.0 x 0.5 mm | 31-703.006 | 4 | 1 | 0.006 kg |
| 2 | Universal 2.0 x 0.5 mm | 31-704.006 | 4 | 2 | 0.006 kg |
| | Solder 2.8 x 0.5 mm | 31-050.002 | | 3 | 0.004 kg |
| | Solder | 31-050.005 | | 3 | 0.004 kg |
| | Universal 2.0 x 0.5 mm | 31-051.006 | 4 | 3 | 0.005 kg |
| | Indicator actuator, Front dimension 18 x 24 mm | | | | |
| 1 | Universal 2.0 x 0.5 mm | 31-701.006 | 4 | 1 | 0.006 kg |
| 2 | Universal 2.0 x 0.5 mm | 31-702.006 | 4 | 2 | 0.006 kg |
| | Solder 2.8 x 0.5 mm | 31-040.002 | | 3 | 0.004 kg |
| | Solder | 31-040.005 | | 3 | 0.004 kg |
| | Universal 2.0 x 0.5 mm | 31-041.006 | 4 | 3 | 0.005 kg |

| Diode 1N4007 | Terminal | Part No. | Component layout | Wiring diagram | Weight |
|---|------------------------|-------------------|------------------|----------------|----------|
|  <p>Indicator actuator, Front dimension Ø 18 mm</p> | | | | | |
| | Solder 2.8 x 0.5 mm | 31-030.002 | | 3 | 0.004 kg |
| | Solder | 31-030.005 | | 3 | 0.004 kg |
| | Universal 2.0 x 0.5 mm | 31-031.006 | 4 | 3 | 0.005 kg |

The component layouts you will find from page {SI=BR31_KAZE_Zeichnung}

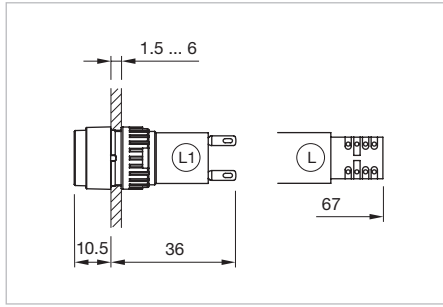


31 Raised design

Buzzer, IP 40

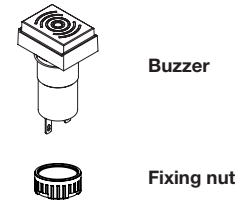


Product can differ from the current configuration.



Dimensions [mm]
 L = Solder terminal,
 L1 = Solder terminal 2.8 x 0.5 mm

Equipment consisting of (schematic overview)

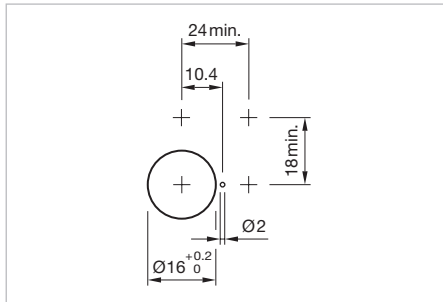


Each Part Number listed below includes all the black components shown in the 3D-drawing.



To obtain a complete unit, please select the red components from the pages shown.

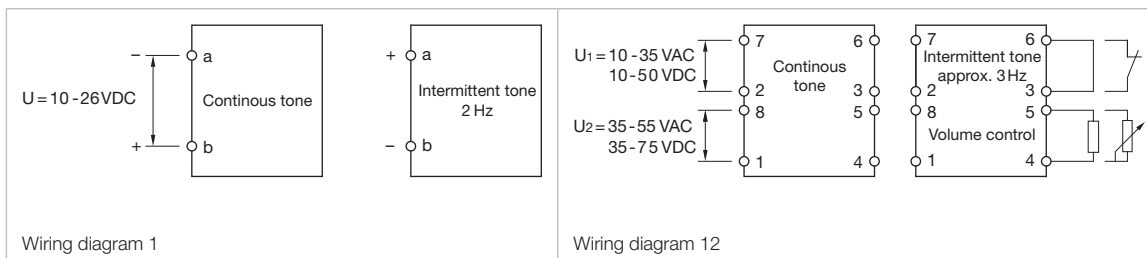
Additional Information

- Further information see «Technical data»



Mounting cut-outs [mm]

| Operating voltage | Front cap | Terminal | Part No. | Wiring diagram | Weight |
|---|---|---------------------|-------------------|----------------|----------|
|  | Buzzer, Front dimension 18 x 24 mm | | | | |
| 10 ... 26 VDC | Plastic black | Solder 2.8 x 0.5 mm | 31-801.002 | 1 | 0.015 kg |
|  | Buzzer, Front dimension 18 x 24 mm | | | | |
| 10 ... 55 VAC, 10 ... 75 VDC | Plastic black | Solder | 31-810.005 | 2 | 0.015 kg |



Illuminated pushbutton, IP 40

Equipment consisting of (schematic overview)



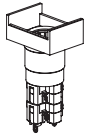
Lens

page(SI=BR31_AGAE_Druckhaube_Kunststoff)



Single-LED

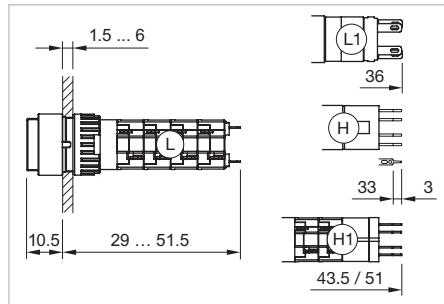
page(SI=BR31_AGAE_Single-LED)



Actuator



Fixing nut



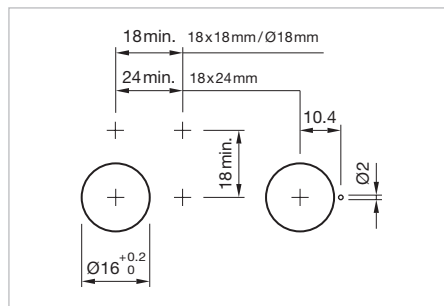
Dimensions [mm]
 H = Universal terminal 2.0 x 0.5 mm,
 H1 = Universal-Solder terminal,
 L = Solder terminal,
 L1 = Solder terminal 2.8 x 0.5 mm



Product can differ from the current configuration.

Each Part Number listed below includes all the black components shown in the 3D-drawing.


To obtain a complete unit, please select the red components from the pages shown.



Mounting cut-outs [mm]

Additional Information

- Material of contact Gold

| Switching system | Contacts | Diode 1N4007 | Switching action | Terminal | Part No. | Component layout | Wiring diagram | Weight | | |
|---|-------------------------------|--------------|------------------|------------------------|---------------------|--------------------|--------------------|----------|----------|----------|
|  Illuminated pushbutton actuator, Front dimension 18 x 18 mm | 2 NO | | B | Universal 2.0 x 0.5 mm | 31-451.036 | 4 | 9 | 0.007 kg | | |
| | | | C | Universal 2.0 x 0.5 mm | 31-481.036 | 4 | 10 | 0.007 kg | | |
| | 2 NC | | B | Universal 2.0 x 0.5 mm | 31-452.036 | 4 | 7 | 0.007 kg | | |
| | | | C | Universal 2.0 x 0.5 mm | 31-483.036 | 4 | 4 | 0.007 kg | | |
| | 1 NO | | B | Universal 2.0 x 0.5 mm | 31-455.036 | 4 | 5 | 0.007 kg | | |
| | | | C | Universal 2.0 x 0.5 mm | 31-485.036 | 4 | 6 | 0.007 kg | | |
| | 1 NC | | B | Universal 2.0 x 0.5 mm | 31-456.036 | 4 | 1 | 0.007 kg | | |
| | Snap-action switching element | | 1 NC + 1 NO | 1 | B | Universal-Solder | 31-709.0292 | 4 | 11 | 0.008 kg |
| | | | | | B | Universal-Solder | 31-710.0292 | 4 | 13 | 0.008 kg |
| | | | | | C | Universal-Solder | 31-718.0292 | 4 | 14 | 0.008 kg |
| | | | | B | Solder 2.8 x 0.5 mm | 31-151.022 | | 16 | 0.006 kg | |
| | | | | B | Solder | 31-151.0252 | | 15 | 0.006 kg | |
| | | | | C | Solder 2.8 x 0.5 mm | 31-281.022 | | 18 | 0.006 kg | |
| | | | | C | Solder | 31-281.0252 | | 17 | 0.006 kg | |
| 2 NC + 2 NO | | | | B | Solder | 31-152.0252 | | 23 | 0.008 kg | |
| | | | | C | Solder | 31-282.0252 | | 24 | 0.008 kg | |
| 3 NC + 3 NO | | | | B | Solder | 31-153.0252 | | 25 | 0.010 kg | |
| | C | | | Solder | 31-283.0252 | | 26 | 0.010 kg | | |

31 Raised design

| Switching system | Contacts | Diode 1N4007 | Switching action | Terminal | Part No. | Component layout | Wiring diagram | Weight |
|-------------------------------|-----------|--------------|------------------|----------|--------------------|------------------|----------------|----------|
| Snap-action switching element | 4 Ö + 4 S | | B | Löt | 31-154.0252 | | 27 | 0.012 kg |
| | | | C | Solder | 31-284.0252 | | 28 | 0.012 kg |



Illuminated pushbutton actuator, Front dimension 18 x 24 mm

| | | | | | | | | | |
|-------------------|-------------------------------|-------------|---|------------------------|--------------------|--------------------|----|----------|----------|
| Low-level element | 2 NO | | B | Universal 2.0 x 0.5 mm | 31-421.036 | 4 | 9 | 0.007 kg | |
| | | | C | Universal 2.0 x 0.5 mm | 31-461.036 | 4 | 10 | 0.007 kg | |
| | 2 NC | | B | Universal 2.0 x 0.5 mm | 31-422.036 | 4 | 7 | 0.007 kg | |
| | | | C | Universal 2.0 x 0.5 mm | 31-423.036 | 4 | 3 | 0.007 kg | |
| | 1 NC + 1 NO | | B | Universal 2.0 x 0.5 mm | 31-423.036 | 4 | 3 | 0.007 kg | |
| | | | C | Universal 2.0 x 0.5 mm | 31-463.036 | 4 | 4 | 0.007 kg | |
| | 1 NO | | B | Universal 2.0 x 0.5 mm | 31-425.036 | 4 | 5 | 0.007 kg | |
| | | | C | Universal 2.0 x 0.5 mm | 31-465.036 | 4 | 6 | 0.007 kg | |
| | 1 NC | | B | Universal 2.0 x 0.5 mm | 31-426.036 | 4 | 1 | 0.007 kg | |
| | | | C | Universal 2.0 x 0.5 mm | 31-466.036 | 4 | 2 | 0.007 kg | |
| | Snap-action switching element | 1 NC + 1 NO | 1 | B | Universal-Solder | 31-705.0292 | 4 | 11 | 0.008 kg |
| | | | | C | Universal-Solder | 31-713.0292 | 4 | 12 | 0.008 kg |
| B | | | | Universal-Solder | 31-706.0292 | 4 | 13 | 0.008 kg | |
| C | | | | Universal-Solder | 31-714.0292 | 4 | 14 | 0.008 kg | |
| B | | | | Solder 2.8 x 0.5 mm | 31-121.022 | | 16 | 0.006 kg | |
| C | | | | Solder | 31-121.0252 | | 15 | 0.006 kg | |
| 2 NC + 2 NO | | 1 | B | Solder 2.8 x 0.5 mm | 31-261.022 | | 18 | 0.006 kg | |
| | | | C | Solder | 31-261.0252 | | 17 | 0.006 kg | |
| | | | B | Universal-Solder | 31-707.0292 | 4 | 19 | 0.010 kg | |
| | | | C | Universal-Solder | 31-715.0292 | 4 | 20 | 0.010 kg | |
| | | | B | Universal-Solder | 31-708.0292 | 4 | 21 | 0.010 kg | |
| | | | C | Universal-Solder | 31-716.0292 | 4 | 22 | 0.010 kg | |
| 3 NC + 3 NO | | | B | Solder | 31-122.0252 | | 23 | 0.008 kg | |
| | | | C | Solder | 31-262.0252 | | 24 | 0.008 kg | |
| | | | B | Solder | 31-123.0252 | | 25 | 0.010 kg | |
| | | | C | Solder | 31-263.0252 | | 26 | 0.010 kg | |
| 4 NC + 4 NO | | | B | Solder | 31-124.0252 | | 27 | 0.012 kg | |
| | | | C | Solder | 31-264.0252 | | 28 | 0.012 kg | |



Illuminated pushbutton actuator, Front dimension Ø 18 mm

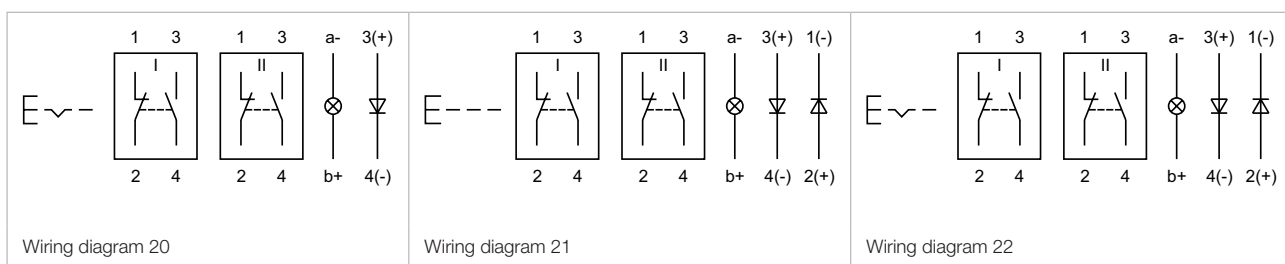
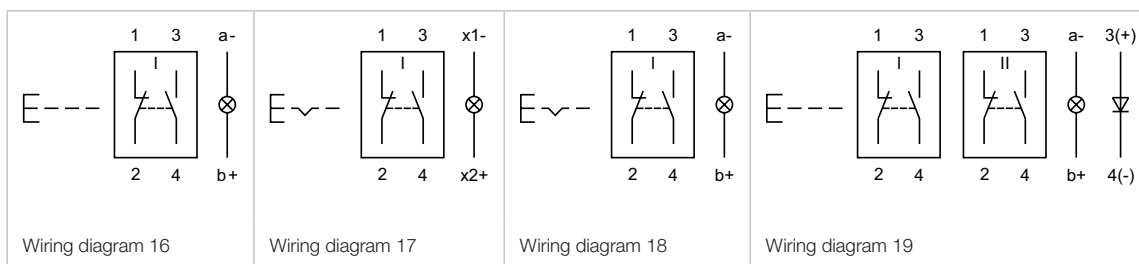
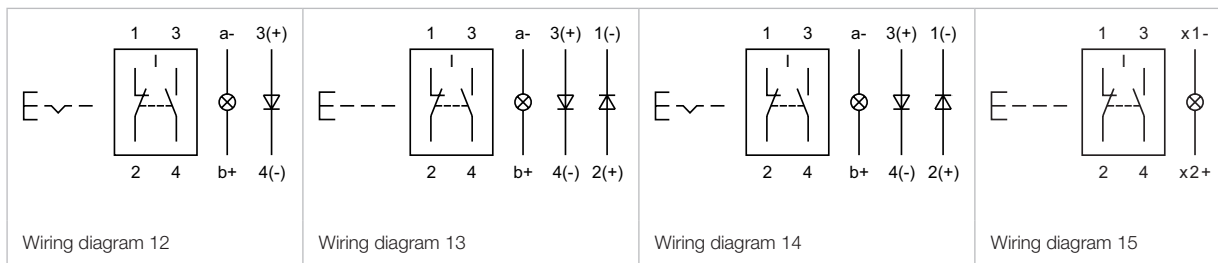
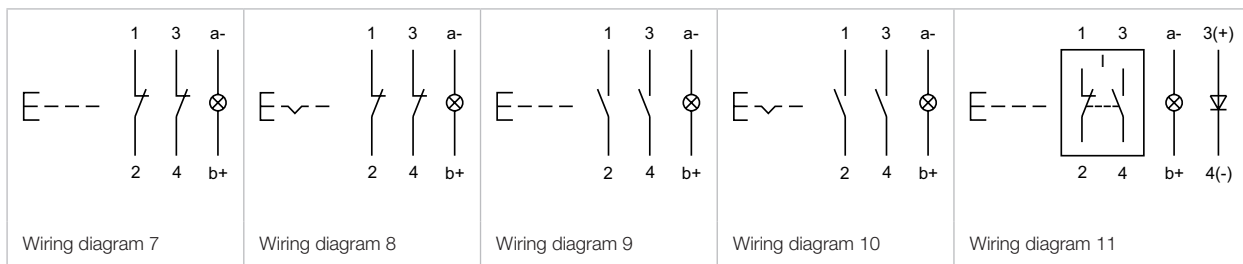
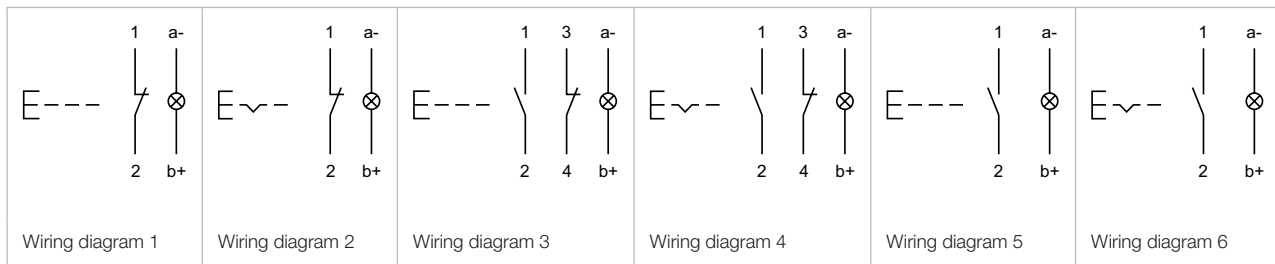
| | | | | | | | | | |
|-------------------|-------------------------------|-------------|---|------------------------|--------------------|--------------------|----|----------|----------|
| Low-level element | 2 NO | | B | Universal 2.0 x 0.5 mm | 31-431.036 | 4 | 9 | 0.007 kg | |
| | | | C | Universal 2.0 x 0.5 mm | 31-471.036 | 4 | 10 | 0.007 kg | |
| | 2 NC | | B | Universal 2.0 x 0.5 mm | 31-432.036 | 4 | 7 | 0.007 kg | |
| | | | C | Universal 2.0 x 0.5 mm | 31-433.036 | 4 | 3 | 0.007 kg | |
| | 1 NC + 1 NO | | B | Universal 2.0 x 0.5 mm | 31-433.036 | 4 | 3 | 0.007 kg | |
| | | | C | Universal 2.0 x 0.5 mm | 31-473.036 | 4 | 4 | 0.007 kg | |
| | 1 NO | | B | Universal 2.0 x 0.5 mm | 31-435.036 | 4 | 5 | 0.007 kg | |
| | | | C | Universal 2.0 x 0.5 mm | 31-475.036 | 4 | 6 | 0.007 kg | |
| | 1 NC | | B | Universal 2.0 x 0.5 mm | 31-436.036 | 4 | 1 | 0.007 kg | |
| | | | C | Universal 2.0 x 0.5 mm | 31-436.036 | 4 | 1 | 0.007 kg | |
| | Snap-action switching element | 1 NC + 1 NO | 2 | B | Universal-Solder | 31-744.0292 | 4 | 13 | 0.008 kg |
| | | | | C | Universal-Solder | 31-748.0292 | 4 | 14 | 0.008 kg |
| B | | | | Solder 2.8 x 0.5 mm | 31-131.022 | | 16 | 0.006 kg | |
| B | | | | Solder | 31-131.0252 | | 15 | 0.006 kg | |
| C | | | | Solder 2.8 x 0.5 mm | 31-271.022 | | 18 | 0.006 kg | |
| C | | | | Solder | 31-271.0252 | | 17 | 0.006 kg | |

| Switching system | Contacts | Diode 1N4007 | Switching action | Terminal | Part No. | Component layout | Wiring diagram | Weight |
|-------------------------------|-------------|--------------|------------------|----------|--------------------|------------------|----------------|----------|
| Snap-action switching element | 2 NC + 2 NO | | B | Solder | 31-132.0252 | | 23 | 0.008 kg |
| | | | C | Solder | 31-272.0252 | | 24 | 0.008 kg |
| | 3 NC + 3 NO | | B | Solder | 31-133.0252 | | 25 | 0.010 kg |
| | | | C | Solder | 31-273.0252 | | 26 | 0.010 kg |
| | 4 NC + 4 NO | | B | Solder | 31-134.0252 | | 27 | 0.012 kg |
| | | | C | Solder | 31-274.0252 | | 28 | 0.012 kg |

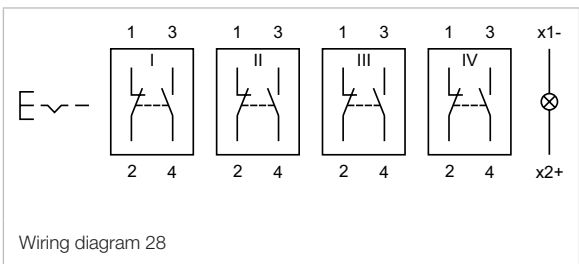
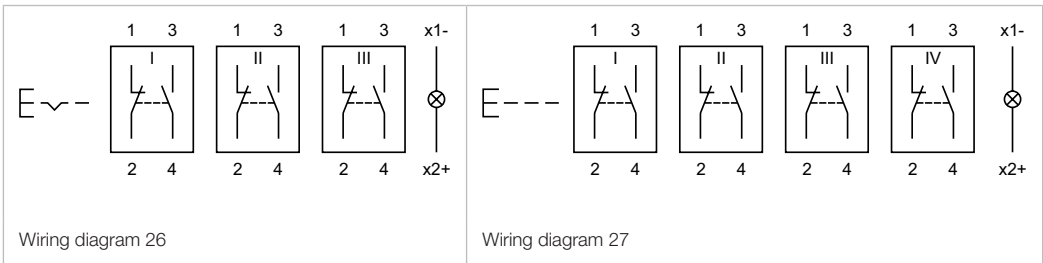
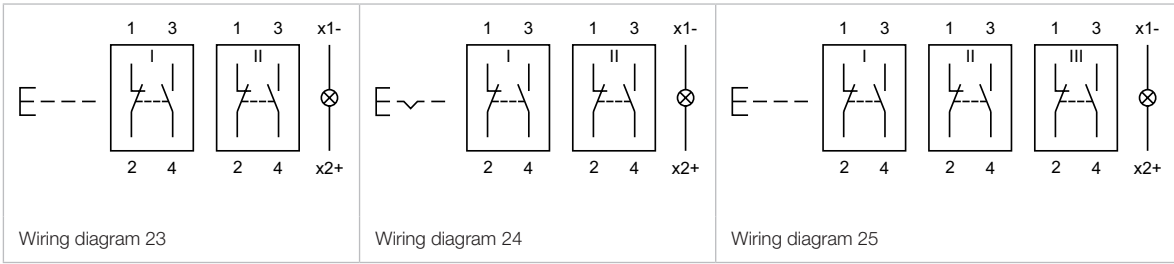
Contacts: NC = Normally closed, NO = Normally open

Switching action: B = Momentary, C = Maintain

The component layouts you will find from page [BR31_KAZE_Zeichnung](#)






31 Raised design





Front

Lens plastic

| Product attribute | Dimension | Lens | Part No. | Weight |
|---|----------------|------------------------|-----------------|----------|
|  Lens plastic | | | | |
| flat, illuminative | 15.3 x 15.3 mm | smoked transparent | 31-953.1 | 0.001 kg |
| | | red transparent | 31-953.2 | 0.001 kg |
| | | orange transparent | 31-953.3 | 0.001 kg |
| | | yellow transparent | 31-953.4 | 0.001 kg |
| | | green transparent | 31-953.5 | 0.001 kg |
| | | blue transparent | 31-953.6 | 0.001 kg |
| | | colourless transparent | 31-953.7 | 0.001 kg |
| flat, illuminative, not suitable for film insert | 15.3 x 15.3 mm | red translucent | 31-951.2 | 0.001 kg |
| | | orange translucent | 31-951.3 | 0.001 kg |
| | | yellow translucent | 31-951.4 | 0.001 kg |
| | | green translucent | 31-951.5 | 0.001 kg |
| | | blue translucent | 31-951.6 | 0.001 kg |
| | | white translucent | 31-951.9 | 0.001 kg |
| flat, illuminative, less suitable for film insert | 15.3 x 15.3 mm | red transparent | 31-955.2 | 0.001 kg |
| | | yellow transparent | 31-955.4 | 0.001 kg |
| | | green transparent | 31-955.5 | 0.001 kg |
| | | colourless transparent | 31-955.7 | 0.001 kg |
| flat, non-illuminative | 15.3 x 15.3 mm | black opaque | 31-951.0 | 0.001 kg |
| | | grey opaque | 31-951.8 | 0.001 kg |
|  Lens plastic | | | | |
| concave, illuminative | 15.3 x 15.3 mm | red transparent | 31-954.2 | 0.001 kg |
| | | orange transparent | 31-954.3 | 0.001 kg |
| | | yellow transparent | 31-954.4 | 0.001 kg |
| | | green transparent | 31-954.5 | 0.001 kg |
| | | blue transparent | 31-954.6 | 0.001 kg |
| | | colourless transparent | 31-954.7 | 0.001 kg |
| concave, non-illuminative | 15.3 x 15.3 mm | black opaque | 31-952.0 | 0.001 kg |
|  Lens plastic | | | | |
| flat, illuminative | 15.3 x 21.5 mm | smoked transparent | 31-903.1 | 0.001 kg |
| | | red transparent | 31-903.2 | 0.001 kg |
| | | orange transparent | 31-903.3 | 0.001 kg |
| | | yellow transparent | 31-903.4 | 0.001 kg |
| | | green transparent | 31-903.5 | 0.001 kg |
| | | blue transparent | 31-903.6 | 0.001 kg |
| | | colourless transparent | 31-903.7 | 0.001 kg |
| flat, illuminative, not suitable for film insert | 15.3 x 21.5 mm | red translucent | 31-901.2 | 0.001 kg |
| | | orange translucent | 31-901.3 | 0.001 kg |

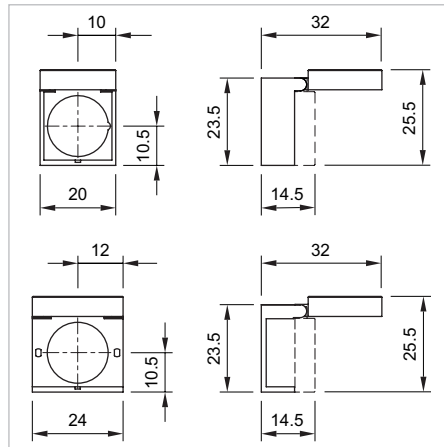
31 Accessories

| Product attribute | Dimension | Lens | Part No. | Weight |
|---|----------------|------------------------|-----------------|----------|
| flat, illuminative, not suitable for film insert | 15.3 x 21.5 mm | yellow translucent | 31-901.4 | 0.001 kg |
| | | green translucent | 31-901.5 | 0.001 kg |
| | | blue translucent | 31-901.6 | 0.001 kg |
| | | white translucent | 31-901.9 | 0.001 kg |
| flat, illuminative, less suitable for film insert | 15.3 x 21.5 mm | red transparent | 31-905.2 | 0.001 kg |
| | | yellow transparent | 31-905.4 | 0.001 kg |
| | | green transparent | 31-905.5 | 0.001 kg |
| | | colourless transparent | 31-905.7 | 0.001 kg |
| flat, non-illuminative | 15.3 x 21.5 mm | black opaque | 31-901.0 | 0.001 kg |
| | | grey opaque | 31-901.8 | 0.001 kg |
|  Lens plastic | | | | |
| concave, illuminative | 15.3 x 21.5 mm | red transparent | 31-904.2 | 0.001 kg |
| | | orange transparent | 31-904.3 | 0.001 kg |
| | | yellow transparent | 31-904.4 | 0.001 kg |
| | | green transparent | 31-904.5 | 0.001 kg |
| | | blue transparent | 31-904.6 | 0.001 kg |
| | | colourless transparent | 31-904.7 | 0.001 kg |
| concave, illuminative, not suitable for film insert | 15.3 x 21.5 mm | red translucent | 31-902.2 | 0.001 kg |
| | | orange translucent | 31-902.3 | 0.001 kg |
| | | yellow translucent | 31-902.4 | 0.001 kg |
| | | green translucent | 31-902.5 | 0.001 kg |
| | | blue translucent | 31-902.6 | 0.001 kg |
| | | white translucent | 31-902.9 | 0.001 kg |
| concave, non-illuminative | 15.3 x 21.5 mm | black opaque | 31-902.0 | 0.001 kg |
| | | grey opaque | 31-902.8 | 0.001 kg |
|  Lens plastic | | | | |
| flat, illuminative | Ø 15.8 mm | smoked transparent | 31-933.1 | 0.001 kg |
| | | red transparent | 31-933.2 | 0.001 kg |
| | | orange transparent | 31-933.3 | 0.001 kg |
| | | yellow transparent | 31-933.4 | 0.001 kg |
| | | green transparent | 31-933.5 | 0.001 kg |
| | | blue transparent | 31-933.6 | 0.001 kg |
| | | colourless transparent | 31-933.7 | 0.001 kg |
| flat, illuminative, not suitable for film insert | Ø 15.8 mm | red translucent | 31-931.2 | 0.001 kg |
| | | orange translucent | 31-931.3 | 0.001 kg |
| | | yellow translucent | 31-931.4 | 0.001 kg |
| | | green translucent | 31-931.5 | 0.001 kg |
| | | blue translucent | 31-931.6 | 0.001 kg |
| | | white translucent | 31-931.9 | 0.001 kg |
| flat, illuminative, less suitable for film insert | Ø 15.8 mm | red transparent | 31-935.2 | 0.001 kg |
| | | green transparent | 31-935.5 | 0.001 kg |
| | | colourless transparent | 31-935.7 | 0.001 kg |
| flat, non-illuminative | Ø 15.8 mm | black opaque | 31-931.0 | 0.001 kg |



Protective cover, IP 40

Zusätzliche Informationen

- Hinged, with means for sealing
- Front panel thickness reduces by 2 mm
- Please note that bigger minimum distances are necessary



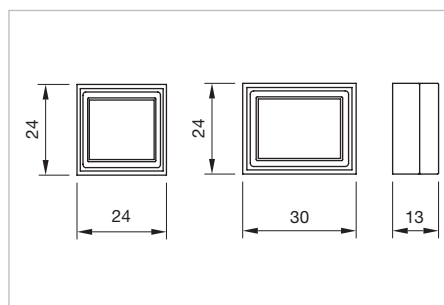
Dimensions [mm]

| Mounting cut-out | Material | Optics | Dimension | Part No. | Weight |
|---|----------|-------------|--------------|---------------|----------|
|  Protective cover | | | | | |
| Ø 16 mm | Plastic | transparent | 20 x 23.5 mm | 31-920 | 0.002 kg |
|  Protective cover | | | | | |
| Ø 16 mm | Plastic | transparent | 18 x 24 mm | 01-925 | 0.002 kg |


Front protective cap, IP 67

Additional Information

- Two-part
- Please note that bigger minimum distances are necessary



Dimensions [mm]

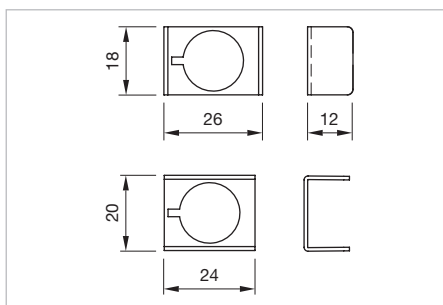
| Product attribute | Dimension | Material | Colour | Optics | Part No. | Weight |
|---|------------|-------------|------------|-------------|-----------------|----------|
|  Front protective cap | | | | | | |
| for button 18 x 18 mm with mounting cut-out Ø16 mm | 24 x 24 mm | PVC/PE | colourless | transparent | 31-923 | 0.003 kg |
| for button 18 x 24 mm with mounting cut-out Ø16 mm | 24 x 30 mm | PE/Silicone | colourless | transparent | 31-924.2 | 0.003 kg |

31 Accessories



Protective guard

Additional Information

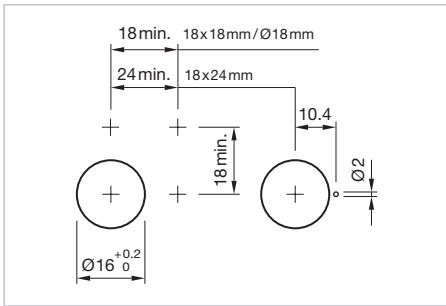
- Please note that bigger minimum distances are necessary





Dimensions [mm]

| Product attribute | Dimension | Material | Colour | Part No. | Weight |
|---|------------|----------|-------------|---------------|----------|
|  <p>Protective guard</p> | | | | | |
| narrow ends bent upwards, for button 18 x 24 mm with mounting cut-out Ø16 mm | 18 x 26 mm | Brass | matt chrome | 01-926 | 0.011 kg |
|  <p>Protective guard</p> | | | | | |
| broad sides bent upwards, for button 18 x 24 mm with mounting cut-out Ø16 mm | 20 x 24 mm | Brass | matt chrome | 01-927 | 0.011 kg |

Blind plug



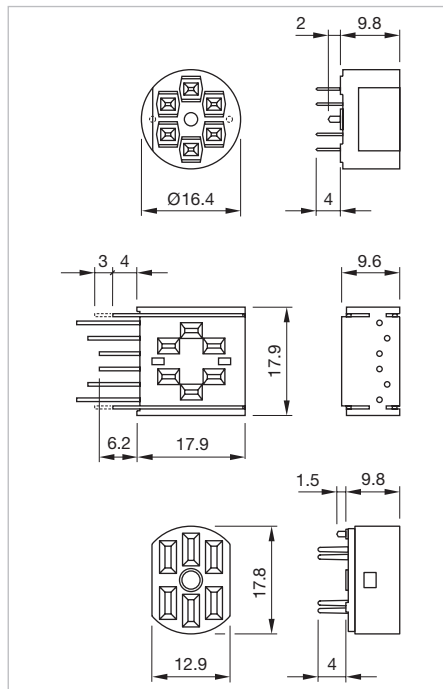
Mounting cut-outs [mm]

| Dimension | Material | Colour | Part No. | Weight |
|--|----------|--------|-----------------|----------|
|  <p>Blind plug</p> | | | | |
| 18 x 18 mm | Plastic | black | 01-948.0 | 0.001 kg |
|  <p>Blind plug</p> | | | | |
| 18 x 24 mm | Plastic | black | 01-947.0 | 0.001 kg |
|  <p>Blind plug</p> | | | | |
| Ø 18 mm | Plastic | black | 01-949.0 | 0.001 kg |




PCB plug-in base

Additional Information

- PCB plug-in base pins right-angle: With the extendable mounting the distance between plug-in base and PCB can be varied up to 3 mm





Dimensions [mm]




| Product attribute | Pins | Terminal | Part No. | Component layout | Weight |
|--|--------------|----------|---------------|------------------|----------|
|  <p>PCB plug-in base</p> | | | | | |
| for low level switching element | axial | PCB | 31-940 | 3 | 0.002 kg |
|  <p>PCB plug-in base</p> | | | | | |
| for low level switching element | right-angled | PCB | 31-941 | 1 | 0.004 kg |
|  <p>PCB plug-in base</p> | | | | | |
| for snap-action switching element 2.8 mm | axial | PCB | 31-942 | 2 | 0.002 kg |

The component layouts you will find from page [{\\$|=BR31_KAZE_Zeichnung}](#)


Flat receptacle

| Product attribute | Part No. | Weight |
|---|---------------|----------|
|  <p>Flat receptacle</p> | | |
| 2.0 x 0.5 mm plug-in terminal | 31-945 | 0.001 kg |
|  <p>Flat receptacle</p> | | |
| 2.8 x 0.5 mm plug-in terminal | 31-946 | 0.001 kg |

Insulation sleeve

| Product attribute | Part No. | Weight |
|---|---------------|----------|
|  <p>Insulation sleeve</p> | | |
| cover plug-in terminals for snap-action switching element 2.8 mm | 01-928 | 0.001 kg |
|  <p>Insulation sleeve</p> | | |
| for flat receptacle 2.0 mm | 31-928 | 0.001 kg |
|  <p>Insulation sleeve</p> | | |
| for flat receptacle 2.8 mm | 31-929 | 0.001 kg |

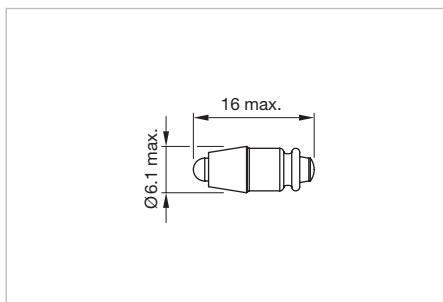
Terminal cover

| Part No. | Weight |
|---|----------|
|  <p>Terminal cover for snap-action switching element 16</p> | |
| 01-929_579 | 0.010 kg |


LED, T1 3/4 MG


Additional Information

- Due to high surface temperatures, the series resistor must not be soldered directly to the terminals of the equipment (use a terminal plate)
- When using AC/DC types with AC operation, slight flickering can occur
- Luminous intensity data of the LEDs on direct voltage
- Electrical and optical data are measured at 25 °C
- The specified versions are built with a protection diode (half wave rectifier) in series and the LED
- Luminosity and wave length variations caused by LED manufacturing processes may cause slight differences regarding the illumination




Dimensions [mm]

| LED colour | Operating voltage | Operation current | Lumi. intensity | Dom. wavelength | Part No. | Weight |
|--|-------------------|-------------------|-----------------|-----------------|---------------------|----------|
|  <p>Single-LED</p> | | | | | | |
| Single-LED red | 6 VDC +10 % | 15 mA ±15 % | 350 mcd | 630 nm | 10-2J06.3142 | 0.002 kg |
| | 12 VAC/DC +10 % | 7/14 mA ±15 % | 330 mcd | 630 nm | 10-2J09.1062 | 0.002 kg |
| | 24 VAC/DC +10 % | 7/14 mA ±15 % | 330 mcd | 630 nm | 10-2J12.1062 | 0.002 kg |
| | 28 VAC/DC +10 % | 7/14 mA ±15 % | 330 mcd | 630 nm | 10-2J13.1062 | 0.002 kg |
| | 48 VAC/DC +10 % | 4/8 mA ±15 % | 200 mcd | 630 nm | 10-2J19.1042 | 0.002 kg |
| Single-LED yellow | 6 VDC +10 % | 15 mA ±15 % | 300 mcd | 587 nm | 10-2J06.3144 | 0.002 kg |
| | 12 VAC/DC +10 % | 7/14 mA ±15 % | 280 mcd | 587 nm | 10-2J09.1064 | 0.002 kg |
| | 24 VAC/DC +10 % | 7/14 mA ±15 % | 280 mcd | 587 nm | 10-2J12.1064 | 0.002 kg |
| | 28 VAC/DC +10 % | 7/14 mA ±15 % | 280 mcd | 587 nm | 10-2J13.1064 | 0.002 kg |
| | 48 VAC/DC +10 % | 4/8 mA ±15 % | 180 mcd | 587 nm | 10-2J19.1044 | 0.002 kg |
| Single-LED green | 6 VDC +10 % | 7 mA ±15 % | 1050 mcd | 525 nm | 10-2J06.3145 | 0.002 kg |
| | 12 VAC/DC +10 % | 4/7 mA ±15 % | 1050 mcd | 525 nm | 10-2J09.1065 | 0.002 kg |
| | 24 VAC/DC +10 % | 4/7 mA ±15 % | 1050 mcd | 525 nm | 10-2J12.1065 | 0.002 kg |
| | 28 VAC/DC +10 % | 4/7 mA ±15 % | 1050 mcd | 525 nm | 10-2J13.1065 | 0.002 kg |
| | 48 VAC/DC +10 % | 2/4 mA ±15 % | 600 mcd | 525 nm | 10-2J19.1045 | 0.002 kg |
| Single-LED blue | 6 VDC +10 % | 15 mA ±15 % | 680 mcd | 470 nm | 10-2J06.3146 | 0.002 kg |
| | 12 VAC/DC +10 % | 7/14 mA ±15 % | 650 mcd | 470 nm | 10-2J09.1066 | 0.002 kg |
| | 24 VAC/DC +10 % | 7/14 mA ±15 % | 650 mcd | 470 nm | 10-2J12.1066 | 0.002 kg |
| | 28 VAC/DC +10 % | 7/14 mA ±15 % | 650 mcd | 470 nm | 10-2J13.1066 | 0.002 kg |
| | 48 VAC/DC +10 % | 4/8 mA ±15 % | 400 mcd | 470 nm | 10-2J19.1046 | 0.002 kg |
| Single-LED white | 6 VDC +10 % | 15 mA ±15 % | 750 mcd | x0.31/y0.32 nm | 10-2J06.3149 | 0.002 kg |
| | 12 VAC/DC +10 % | 7/14 mA ±15 % | 700 mcd | x0.31/y0.32 nm | 10-2J09.1069 | 0.002 kg |
| | 24 VAC/DC +10 % | 7/14 mA ±15 % | 700 mcd | x0.31/y0.32 nm | 10-2J12.1069 | 0.002 kg |
| | 28 VAC/DC +10 % | 7/14 mA ±15 % | 700 mcd | x0.31/y0.32 nm | 10-2J13.1069 | 0.002 kg |
| | 48 VAC/DC +10 % | 4/8 mA ±15 % | 400 mcd | x0.31/y0.32 nm | 10-2J19.1049 | 0.002 kg |

| LED colour | Operating voltage | Operation current | Lumi. intensity | Dom. wavelength | Part No. | Weight |
|---|-------------------|-------------------|-----------------|-----------------|---------------------|----------|
|  <p>Bi-colour LED</p> | | | | | | |
| red/green | 24 VDC +10 % | 15/14 mA ±15 % | 600/630 mcd | 625/525 nm | 10-A312.314A | 0.002 kg |


Filament lamp, T1 3/4 MG

| Operating voltage | Operation current | Part No. | Weight |
|---|-------------------|---------------------|----------|
|  <p>Filament lamp</p> | | | |
| 6 VAC/DC | 120 mA ±10 % | 10-1306.1349 | 0.001 kg |
| 6.3 VAC/DC | 200 mA ±10 % | 10-1307.1369 | 0.001 kg |
| 12 VAC/DC | 75 mA ±10 % | 10-1309.1309 | 0.001 kg |
| 14 VAC/DC | 80 mA ±10 % | 10-1310.1319 | 0.001 kg |
| 18 VAC/DC | 40 mA ±10 % | 10-1311.1249 | 0.001 kg |
| 24 VAC/DC | 35 mA ±10 % | 10-1312.1229 | 0.001 kg |
| 28 VAC/DC | 30 mA ±10 % | 10-1313.1209 | 0.001 kg |
| 28 VAC/DC | 40 mA ±10 % | 10-1313.1249 | 0.001 kg |
| 36 VAC/DC | 20 mA ±10 % | 10-1316.1179 | 0.001 kg |
| 36 VAC/DC | 30 mA ±10 % | 10-1316.1209 | 0.001 kg |
| 48 VAC/DC | 20 mA ±10 % | 10-1319.1179 | 0.001 kg |
| 48 VAC/DC | 25 mA ±10 % | 10-1319.1199 | 0.001 kg |

Series resistor

Additional Information

- Only for filament lamp 48 VAC, 25 mA
- For lamp voltage reduction
- Keep to the country specific safety instructions
- Due to high surface temperatures, the series resistor must not be soldered directly to the terminals of the equipment (use a terminal plate)


| Operating voltage | Resistance | Part No. | Weight |
|---|------------|-----------------|----------|
|  <p>Series resistor</p> | | | |
| 110 VAC | 2.7 kOhm | 02-904.0 | 0.003 kg |
| 125 VAC | 3.3 kOhm | 02-904.1 | 0.003 kg |
| 145 VAC | 4.7 kOhm | 02-904.3 | 0.003 kg |
| 240 VAC | 10 kOhm | 02-904.7 | 0.003 kg |

31 Accessories

Terminal plate empty


Additional Information

- For fitting with series resistors

| Product attribute | Dimension | Part No. | Weight |
|---|--------------------|-----------------|----------|
|  Terminal plate empty | | | |
| 5 spaces | 62.5 x 60 x 15 mm | 02-912.1 | 0.025 kg |
| 10 spaces | 125 x 60 x 15 mm | 02-912.2 | 0.045 kg |
| 15 spaces | 187.6 x 60 x 15 mm | 02-912.3 | 0.090 kg |
| 20 spaces | 250 x 60 x 15 mm | 02-912.4 | 0.095 kg |

Mounting


Lens remover

| Part No. | Weight |
|--|----------|
|  <p>Lens remover</p> | |
| 02-905 | 0.011 kg |

Lamp remover

Additional Information


▲ **Caution:** A switching process might be released when replacing the lamp

| Part No. | Weight |
|--|----------|
|  <p>Lamp remover</p> | |
| 61-9740.0 | 0.003 kg |

Mounting tool

Additional Information

- for tightening or loosening of the fixing nut


| Part No. | Weight |
|---|----------|
|  <p>Mounting tool</p> | |
| 01-907 | 0.020 kg |

31 Accessories

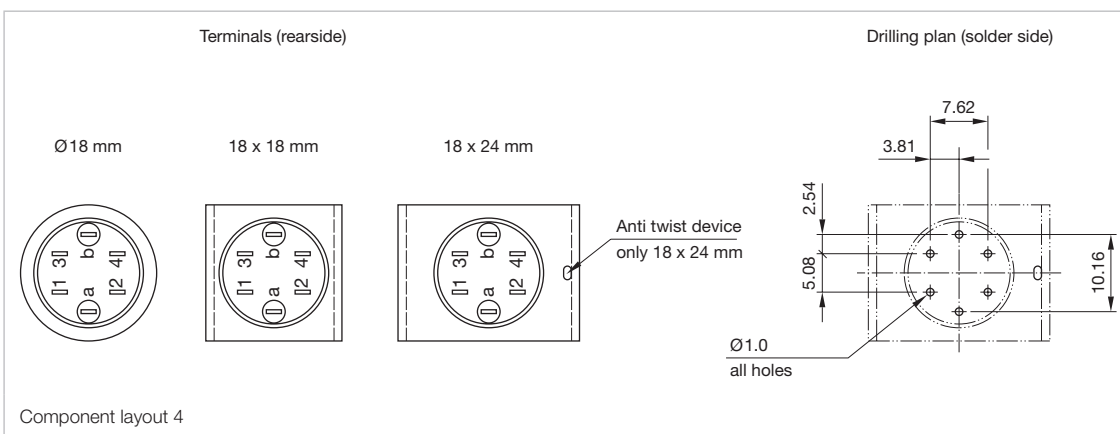
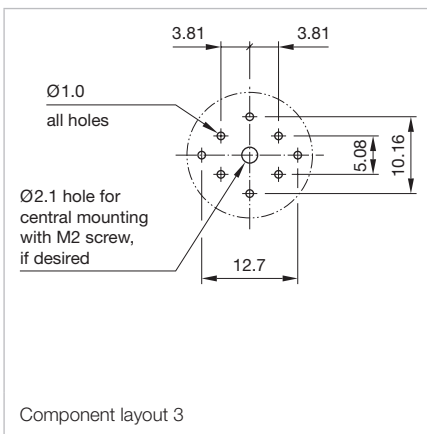
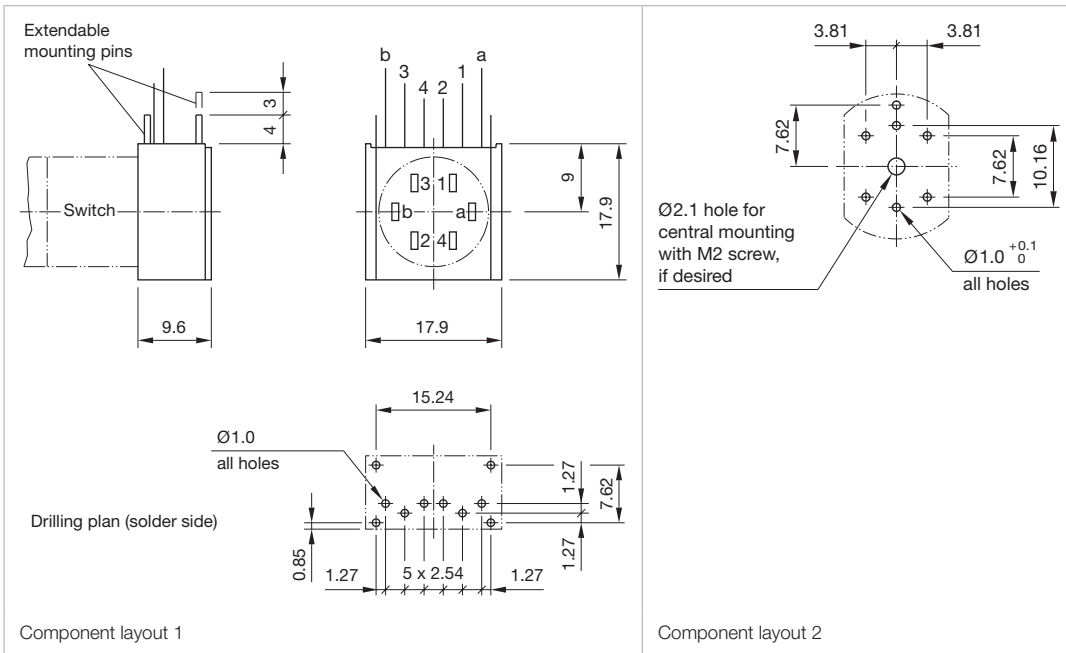
Dressing tool

Additional Information

- For aligning buttons

| Part No. | Weight |
|---|---------|
|  Dressing tool | |
| 01-906 | 0.03 kg |

Drawings



31 Technical data

Actuator with snap-action switching element

Switching system

Self-cleaning, double-break, snap action switching system (with contact gap 2 x 0.5 mm).
1 Normally closed or 1 Normally open contact per element.
Snap-action switching elements with soldering terminals at the sides: Up to 4 switching element can be on a pushbutton (max. 4 Normally closed and 4 Normally open contacts).
Snap-action switching element with axial plug-in terminals 2.8 mm stachable, only 1 switching element can be on a pushbutton.

Material

Material of contact

Gold plated silver

Switch housing

Axial plug-in-/soldering terminal 2.8 mm:
Diallyphthalate (DAP), Polyamide (PA66), Polysulfone, heatresistant and self-extinguishing
Soldering terminal: PA 6.6 Ultramide

Actuator housing

Polyetherimide, self-extinguishing

Mechanical characteristics

Terminals

Snap-action switching element with tinned soldering terminals at the sides:
Max. wire diameter 2 wires à 1.2 mm
Max. wire cross-section of stranded cable 1 x 1 mm²
Snap-action switching element with axial plug-in terminals, which can also be used as soldering terminals: Plug-in terminal 2.8 x 0.5 mm

Soldering terminal:

Max. wire diameter 1 wire of 1.5 mm²
Max. wire cross-section of stranded cable 2 x 0.75 mm² or 1 x 1.0 mm²

Tightening torque

for fixing nut max. 50 Ncm

Actuating force

2 N...5.5 N, depending on the number of switching elements

Actuating travel

3 mm

Rebound time

≤ 5 ms

Mechanical lifetime

Momentary action 2 million cycles of operation
Maintained action 1 million cycles of operation

Electrical characteristics

Standards

IEC 61058, EN 61058

Rated voltage

250 VAC/VDC

Rated current

5 A

Contact resistance

Starting value (initial) ≤ 50 mΩ

Conventional free air thermal current

5 A

The maximum current in continuous operation and at ambient temperature not exceeding the quoted maximum values.

Switch rating

250 VAC, 5 A (cosφ 1)
250 VAC, 3 A (cosφ 0.3)

Switch rating AC (cosφ 0.7)

Voltage 125 VAC 250 VAC
Current 3 A 2 A

Switch rating DC (inductive) L: R = 30 ms

Voltage 24 VDC 60 VDC 110 VDC 220 VDC
Current 2 A 0.7 A 0.2 A 0.1 A

Electric strength

2500 VAC, 50 Hz, 1 min. between all terminals and earth, as per IEC 60512-2-11

Protection class

II

Environmental conditions

Storage temperature

-40 °C ... +85 °C

Service temperature

-25 °C ... +55 °C

For indicators and illuminated pushbuttons mounted as a block, make sure the heat can escape freely.

Protection degree

Front as per:

IP 40

IP 67 with spray cover

Shock resistance

(Single impacts, semi-sinusoidal)

15 g for 11 ms, as per IEC 60512-4-3, IEC 60068-2-27

Vibration resistance

(sinusoidal)

10 g at 0–2000 Hz, amplitude 1.5 mm, as per IEC 60512-4-4, IEC 60068-2-6

Climate resistance

Standard condition, as per IEC 60068-2-3 and 2-30

Changing condition, as per IEC 60068-2-14 and 2-33

Approvals

Approbations

CB (IEC 61058)
 CSA
 ENEC (EN 61058)
 Germanischer Lloyd
 UL

Declaration of conformity

CE

Actuator with low level switching element

Switching system

This low level switching element was designed for switching low powers in electronic circuits. The mechanism assures reliable switching of loads ranging from a few $\mu\text{A}/\mu\text{V}$ up to 100 mA/42 VAC/DC.

Single-break momentary contact, as normally open or normally closed with 4 independent points of contact. 2 momentary contacts per switching element; combination of normally open and normally closed is possible.

Special features are the long life, extremely short rebound time and stable contact resistance.

Material

Material of contact

Gold plated

Switch housing

Polysulfone, heat-resistant and self-extinguishing

Actuator housing

Polyetherimide, self-extinguishing

Mechanical characteristics

Terminals

The universal terminals permit these units to be mounted on printed circuit boards (PCB). These terminals can also be used as soldering or plug-in terminals.

For these terminals we can also supply a plug-in base which, when soldered on to the board, enables the switch to be plugged in.

Soldering terminal:

Max. wire diameter 2 wires $\leq 0.8\text{ mm}$

Max. wire cross-section of stranded cable $1 \times 0.75\text{ mm}^2$

Plug-in terminal: $2.0 \times 0.5\text{ mm}$

Tightening torque

for fixing nut max. 50 Ncm

Actuating force

3 N ... 3.5 N

Actuating travel

3 mm

Rebound time

Typ. $< 100\ \mu\text{s}$

Mechanical lifetime

Momentary action 5 million cycles of operation

Maintained action 1 million cycles of operation

Electrical characteristics

Standards

EN 61058

Contact resistance

Starting value (initial) $\leq 50\text{ m}\Omega$

Switch rating

$10\ \mu\text{A}$, $100\ \mu\text{V}$ to 100 mA at 42 VAC/VDC

Electric strength

2500 VAC, 50 Hz, 1 min. between all terminals and earth, as per IEC 60512-2-11

Protection class

II

Environmental conditions

Storage temperature

$-40\text{ }^\circ\text{C}$... $+85\text{ }^\circ\text{C}$

Service temperature

$-25\text{ }^\circ\text{C}$... $+55\text{ }^\circ\text{C}$

For indicators and illuminated pushbuttons mounted as a block, make sure the heat can escape freely.

Protection degree

Front as per:

IP 40

IP 67 with spray cover

Shock resistance

(Single impacts, semi-sinusoidal)

15 g for 11 ms, as per IEC 60512-4-3, IEC 60068-2-27

Vibration resistance

(sinusoidal)

10 g at 0–2000 Hz, amplitude 1.5 mm, as per IEC 60512-4-4, IEC 60068-2-6

Climate resistance

Standard condition, as per IEC 60068-2-3 and 2-30

Changing condition, as per IEC 60068-2-14 and 2-33

31 Technical data

Buzzer 31-810.005

Buzzer system

Electronic non-contacting buzzer with IC oscillator

88 dB (A) ± 8 dB at a distance of 0.1 m
Volume variable with a 1 M Ω potentiometer or corresponding fixed resistor

Operation Voltage/Current

Typ. 10 VAC ... 55 VAC, 25 mA
Typ. 10 VDC ... 75 VDC, 15 mA

Material

Alarm buzzer case

Polyetherimide

Front bezel

Polyamide

Environmental conditions

Storage temperature

-40 °C ... +85 °C

Service temperature

-25 °C ... +55 °C

Protection degree

IP 40

Mechanical characteristics

Terminals

Soldering terminal

Approvals

Approbations

Germanischer Lloyd

Declaration of conformity

CE

Tightening torque

for fixing nut max. 50 Ncm

Electrical characteristics

Frequency (tone)

Approx. 2.8 kHz

Interval frequency

approx. 3 Hz

Sound pressure

Buzzer 31-801.002

Buzzer system

Electronic non-contacting buzzer with IC oscillator

Interval frequency

2 Hz

Sound pressure

88 dB (A) ± 8 dB at a distance of 0.1 m

Operation Voltage/Current

10 VDC ... 26 VDC, ≤ 20 mA

Material

Alarm buzzer case

Polyetherimide

Front bezel

Polyamide

Environmental conditions

Storage temperature

-40 °C ... +85 °C

Service temperature

-25 °C ... +55 °C

Protection degree

IP 40

Mechanical characteristics

Terminals

Plug-in terminal 2.8 x 0.5 mm

Approvals

Approbations

Germanischer Lloyd

Declaration of conformity

CE

Tightening torque

for fixing nut max. 50 Ncm

Electrical characteristics

Frequency (tone)

ca. 2.0 kHz

General notes

1. Engraving

In addition to the most commonly used world languages, in DIN1451-3 close spacing, other typefaces are available as Scandinavian, Slavic, Greek, Russian and Polish. Red, blue and black lenses are filled with white colour. Other colour lenses are refilled in black. Standard height of letters is 2 mm. If the height is not specified, we will supply 2mm engraved letters.

2. Hot stamping

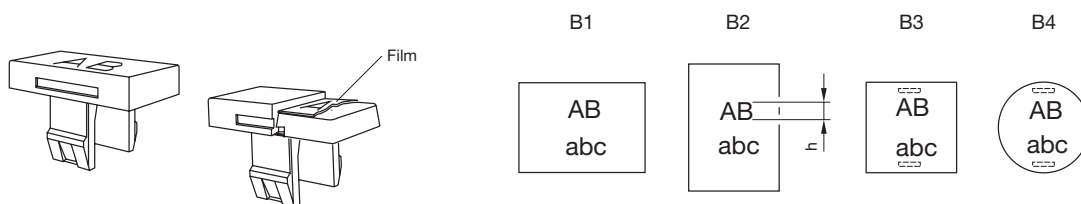
For larger series it is worth considering markings by means of hot stamping. We will be pleased to advise you. For letters and figures, typefaces with 2.5mm, 3mm and 4mm are available.

3. Film inserts

Instead of using engraving the lenses can be fitted with transparent film inserts, as an alternative. For this purpose, though, it is advisable to use transparent lenses. In the case of use of a smoke-black lens the fitted film becomes readable only if the lamp is on. To insert the film, the feet of the lens holder have to be pushed together far enough to enable the lens to be lifted off easily. The film thickness is 0.2mm. Important : Consider pushbutton mounting orientation before specifying engraving characters !

Alle Dimensionen in mm

| Front size (Lens) | Film insert max. size | Height of letters h | Number of lines | Number of capital letters per line (target value) | Number of small letters per line (target value) | Image |
|-----------------------|-----------------------|---------------------|-----------------|---|---|-------|
| 18 x 18 (15.2 x 15.2) | 12.7 x 12.7 | 2.5 | 4 | 7-8 | 8 | B3 |
| | | 3.0 | 3 | 6-7 | 7 | B3 |
| | | 4.0 | 2 | 4-5 | 5 | B3 |
| | | 5.0 | 2 | 3-4 | 4 | B3 |
| | | 6.0 | 1 | 3 | 3-4 | B3 |
| | | 8.0 | 1 | 2-3 | 2-3 | B3 |
| 18 x 24 (15.2 x 21.2) | 12.7 x 18.7 | 2.5 | 4 | 11 | 12 | B1 |
| | | | 5 | 7-8 | 8 | B2 |
| | | 3.0 | 3 | 9-10 | 10-11 | B1 |
| | | | 4 | 6-7 | 7 | B2 |
| | | 4.0 | 2 | 7 | 7-8 | B1 |
| | | | 3 | 4-5 | 5 | B2 |
| | | 5.0 | 2 | 5-6 | 6 | B1 |
| | | | | 3-4 | 4 | B2 |
| | | 6.0 | 1 | 4-5 | 5 | B1 |
| | | | | 3 | 3-4 | B2 |
| | | 8.0 | 1 | 3-4 | 3-4 | B1 |
| | | | | 2-3 | 2-3 | B2 |
| Ø 18 (Ø 15.8) | Ø 12.8 | 2.5 | 3 | 6 | 6 | B4 |
| | | 3.0 | 2 | 5 | 6 | B4 |
| | | 4.0 | 2 | 3 | 4 | B4 |
| | | 5.0 | 1 | 2 | 3 | B4 |
| | | 6.0 | 1 | 2 | 2 | B4 |
| | | 8.0 | 1 | 2 | 2 | B4 |



31 Application guidelines

Suppressor circuits

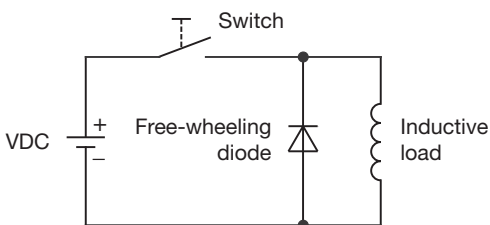
When switching inductive loads such as relays, DC motors, and DC solenoids, it is always important to absorb surges (e.g. with a diode) to protect the contacts. When these inductive loads are switched off, a counter emf can severely damage switch contacts and greatly shorten lifetime.

Fig. 1 shows an inductive load with a free-wheeling diode connected in parallel. This free-wheeling diode provides a path for the inductor current to flow when the current is interrupted by the switch. Without this free-wheeling diode, the voltage across the coil will be limited only by dielectric breakdown voltages of the circuit or parasitic elements of the coil. This voltage can be kilovolts in amplitude even when nominal circuit voltages are low (e.g. 12VDC) see Fig. 2.

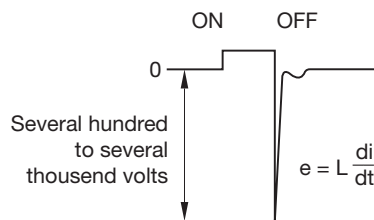
The free-wheeling diode should be chosen so that the reverse breakdown voltage is greater than the voltage driving the inductive load. The DC blocking voltage (VR) of the free-wheeling diode can be found in the datasheet of a diode. The forward current should be equal or greater than the maximum current flowing through the load.

To get an efficient protection, the free-wheeling diode must be connected as close as possible to the inductive load!

Switching with inductive load
Fig. 1



Counter EMF
over load without free-wheeling diode
Fig. 2



Index from Part No.

| Part No. | Page | Part No. | Page | Part No. | Page |
|--------------|------|-------------|------|-----------|------|
| 01-906 | 22 | 31-151.0252 | 7 | 31-902.8 | 12 |
| 01-907 | 21 | 31-152.0252 | 7 | 31-902.9 | 12 |
| 01-925 | 13 | 31-153.0252 | 7 | 31-903.1 | 11 |
| 01-926 | 14 | 31-154.0252 | 8 | 31-903.2 | 11 |
| 01-927 | 14 | 31-261.022 | 8 | 31-903.3 | 11 |
| 01-928 | 17 | 31-261.0252 | 8 | 31-903.4 | 11 |
| 01-929 | 17 | 31-262.0252 | 8 | 31-903.5 | 11 |
| 01-947.0 | 15 | 31-263.0252 | 8 | 31-903.6 | 11 |
| 01-948.0 | 15 | 31-264.0252 | 8 | 31-903.7 | 11 |
| 01-949.0 | 15 | 31-271.022 | 8 | 31-904.2 | 12 |
| 02-904.0 | 19 | 31-271.0252 | 8 | 31-904.3 | 12 |
| 02-904.1 | 19 | 31-272.0252 | 9 | 31-904.4 | 12 |
| 02-904.3 | 19 | 31-273.0252 | 9 | 31-904.5 | 12 |
| 02-904.7 | 19 | 31-274.0252 | 9 | 31-904.6 | 12 |
| 02-905 | 21 | 31-281.022 | 7 | 31-904.7 | 12 |
| 02-912.1 | 20 | 31-281.0252 | 7 | 31-905.2 | 12 |
| 02-912.2 | 20 | 31-282.0252 | 7 | 31-905.4 | 12 |
| 02-912.3 | 20 | 31-283.0252 | 7 | 31-905.5 | 12 |
| 02-912.4 | 20 | 31-284.0252 | 8 | 31-905.7 | 12 |
| 10-1306.1349 | 19 | 31-421.036 | 8 | 31-920 | 13 |
| 10-1307.1369 | 19 | 31-422.036 | 8 | 31-923 | 13 |
| 10-1309.1309 | 19 | 31-423.036 | 8 | 31-924.2 | 13 |
| 10-1310.1319 | 19 | 31-425.036 | 8 | 31-928 | 17 |
| 10-1311.1249 | 19 | 31-426.036 | 8 | 31-929 | 17 |
| 10-1312.1229 | 19 | 31-431.036 | 8 | 31-931.0 | 12 |
| 10-1313.1209 | 19 | 31-432.036 | 8 | 31-931.2 | 12 |
| 10-1313.1249 | 19 | 31-433.036 | 8 | 31-931.3 | 12 |
| 10-1316.1179 | 19 | 31-435.036 | 8 | 31-931.4 | 12 |
| 10-1316.1209 | 19 | 31-436.036 | 8 | 31-931.5 | 12 |
| 10-1319.1179 | 19 | 31-451.036 | 7 | 31-931.6 | 12 |
| 10-1319.1199 | 19 | 31-452.036 | 7 | 31-931.9 | 12 |
| 10-2J06.3142 | 18 | 31-453.036 | 7 | 31-933.1 | 12 |
| 10-2J06.3144 | 18 | 31-455.036 | 7 | 31-933.2 | 12 |
| 10-2J06.3145 | 18 | 31-456.036 | 7 | 31-933.3 | 12 |
| 10-2J06.3146 | 18 | 31-461.036 | 8 | 31-933.4 | 12 |
| 10-2J06.3149 | 18 | 31-463.036 | 8 | 31-933.5 | 12 |
| 10-2J09.1062 | 18 | 31-465.036 | 8 | 31-933.6 | 12 |
| 10-2J09.1064 | 18 | 31-466.036 | 8 | 31-933.7 | 12 |
| 10-2J09.1065 | 18 | 31-471.036 | 8 | 31-935.2 | 12 |
| 10-2J09.1066 | 18 | 31-473.036 | 8 | 31-935.5 | 12 |
| 10-2J09.1069 | 18 | 31-475.036 | 8 | 31-935.7 | 12 |
| 10-2J12.1062 | 18 | 31-481.036 | 7 | 31-940 | 16 |
| 10-2J12.1064 | 18 | 31-483.036 | 7 | 31-941 | 16 |
| 10-2J12.1065 | 18 | 31-485.036 | 7 | 31-942 | 16 |
| 10-2J12.1066 | 18 | 31-701.006 | 4 | 31-945 | 17 |
| 10-2J12.1069 | 18 | 31-702.006 | 4 | 31-946 | 17 |
| 10-2J13.1062 | 18 | 31-703.006 | 4 | 31-951.0 | 11 |
| 10-2J13.1064 | 18 | 31-704.006 | 4 | 31-951.2 | 11 |
| 10-2J13.1065 | 18 | 31-705.0292 | 8 | 31-951.3 | 11 |
| 10-2J13.1066 | 18 | 31-706.0292 | 8 | 31-951.4 | 11 |
| 10-2J13.1069 | 18 | 31-707.0292 | 8 | 31-951.5 | 11 |
| 10-2J19.1042 | 18 | 31-708.0292 | 8 | 31-951.6 | 11 |
| 10-2J19.1044 | 18 | 31-709.0292 | 7 | 31-951.8 | 11 |
| 10-2J19.1045 | 18 | 31-710.0292 | 7 | 31-951.9 | 11 |
| 10-2J19.1046 | 18 | 31-713.0292 | 8 | 31-952.0 | 11 |
| 10-2J19.1049 | 18 | 31-714.0292 | 8 | 31-953.1 | 11 |
| 10-A312.314A | 19 | 31-715.0292 | 8 | 31-953.2 | 11 |
| 31-030.002 | 5 | 31-716.0292 | 8 | 31-953.3 | 11 |
| 31-030.005 | 5 | 31-718.0292 | 7 | 31-953.4 | 11 |
| 31-031.006 | 5 | 31-744.0292 | 8 | 31-953.5 | 11 |
| 31-040.002 | 4 | 31-748.0292 | 8 | 31-953.6 | 11 |
| 31-040.005 | 4 | 31-801.002 | 6 | 31-953.7 | 11 |
| 31-041.006 | 4 | 31-810.005 | 6 | 31-954.2 | 11 |
| 31-050.002 | 4 | 31-901.0 | 12 | 31-954.3 | 11 |
| 31-050.005 | 4 | 31-901.2 | 11 | 31-954.4 | 11 |
| 31-051.006 | 4 | 31-901.3 | 11 | 31-954.5 | 11 |
| 31-121.022 | 8 | 31-901.4 | 12 | 31-954.6 | 11 |
| 31-121.0252 | 8 | 31-901.5 | 12 | 31-954.7 | 11 |
| 31-122.0252 | 8 | 31-901.6 | 12 | 31-955.2 | 11 |
| 31-123.0252 | 8 | 31-901.8 | 12 | 31-955.4 | 11 |
| 31-124.0252 | 8 | 31-901.9 | 12 | 31-955.5 | 11 |
| 31-131.022 | 8 | 31-902.0 | 12 | 31-955.7 | 11 |
| 31-131.0252 | 8 | 31-902.2 | 12 | 61-9740.0 | 21 |
| 31-132.0252 | 9 | 31-902.3 | 12 | | |
| 31-133.0252 | 9 | 31-902.4 | 12 | | |
| 31-134.0252 | 9 | 31-902.5 | 12 | | |
| 31-151.022 | 7 | 31-902.6 | 12 | | |

X-ON Electronics

Largest Supplier of Electrical and Electronic Components

Click to view similar products for [Illuminated Pushbutton Switches](#) category:

Click to view products by [EAO](#) manufacturer:

Other Similar products are found below :

[95-313.000](#) [95-414.000](#) [95-900.005](#) [PV3H2B0NN-341](#) [A165L-AGA-T1-2](#) [A30NZ-MNM-TGA](#) [A3AA-91K1-00EG](#) [A3PA-5702-24E](#) [A3U-TMW-A2C-5M](#) [14-030.005](#) [14-271.025](#) [14-132.025](#) [MS3470L12-3SY L/C](#) [MS3470L22-55SZ L/C](#) [18-257.035](#) [18-287.035](#) [19-050.005](#) [19-139.035](#) [19-159.015](#) [19-471.035](#) [IPR3SAD1L0Y](#) [22-212.011](#) [22-223.011](#) [95-900.009](#) [A017101](#) [A165L-JRM-T1-2](#) [A30NZ-MNM-TYA](#) [A3AT-90K1-00EG](#) [A3AT-90K1-00ER](#) [A3PA-5701-12E](#) [A3SA-90D1-28W](#) [18-187.035](#) [19-031.005](#) [19-451.035](#) [22-225.011](#) [PV3H2B0NN-305](#) [31-426.036](#) [31-455.036](#) [31-463.036](#) [3FTH98020](#) [51-131.022](#) [31-051.006](#) [IPR3SAD2LSG](#) [41-461.036](#) [51-265.0](#) [51-455.036](#) [51-463.036](#) [02-617.011](#) [02-618.011](#) [02-616.011](#)