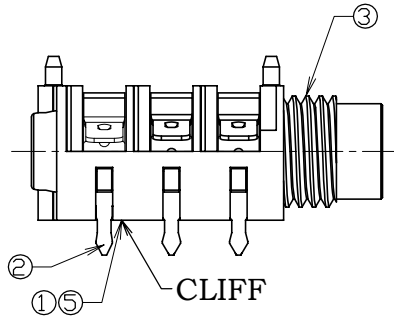
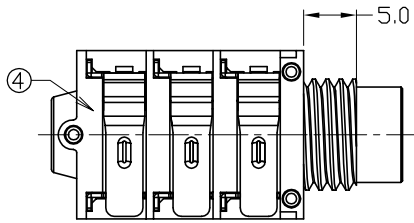
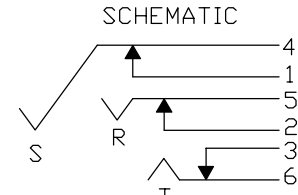
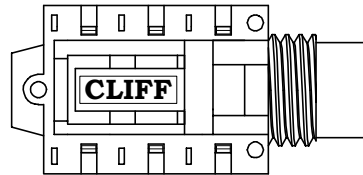
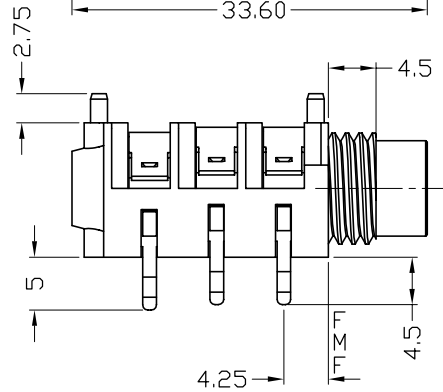
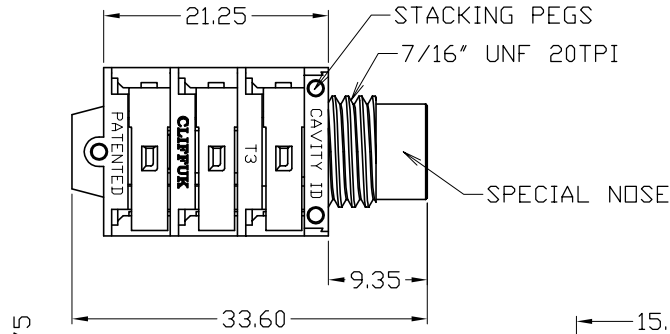


ISS.	AMEND	DATE
1	1st DRAWN	17/01/04
2	4th TOOL INFO ADD	21/02/13

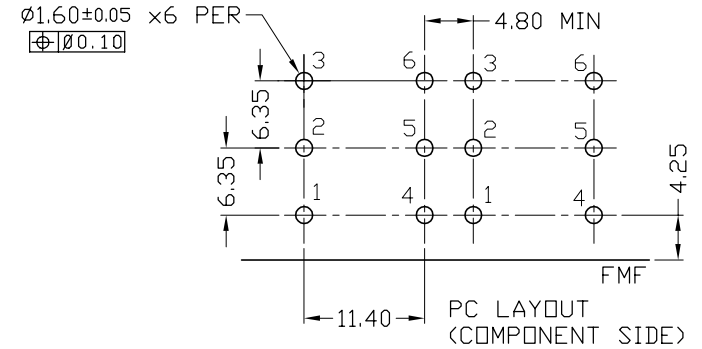
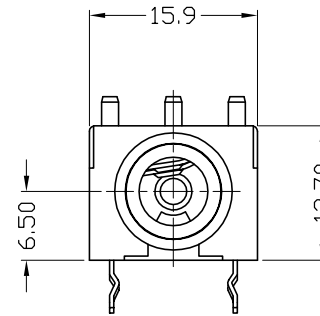


**NEW TOOL 4**

- 1) ADDITIONAL JACK PLUG SUPPORT
- 2) TYPE 2 CONTACTS
- 3) SPECIAL NOSE THREAD LENGTH 5.0mm
- 4) PATENT NUMBER WILL BE ON PACKAGING
- 5) CAVITY ID NEXT TO CLIFF LOGO

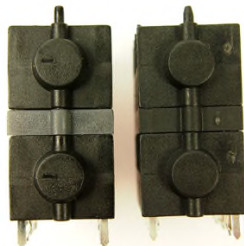


INSERTED PLUG MAKES WITH 4, 5, 6 AND BREAKS 1, 2, 3. SWITCHES MAKE ON PLUG REMOVAL.



NOTE:  
 DUPLICATE TOOLING MAY BE USED FOR THIS JACK SOCKET.  
 TOOL 3 AS SHOWN, T3 ID ON MOULDINGS  
 TOOL 4 (NEW) - SEE IMAGES AND NOTES.  
 NO NUTS OR WASHERS NOT SUPPLIED WITH THIS MODEL.

IMAGES ARE OF FCR1126L - TOP JACK + SPACER NOT USED ON FCR11155.



**RoHS**  
 COMPLIANT

**TOLERANCE**  
 NO DEC. PLACE ± 1.00  
 1 DEC. PLACE ± 0.50  
 2 DEC. PLACE ± 0.10  
 HOLE Ø ± 0.10  
 ANGLES ± 1/2°  
 UNLESS OTHERWISE STATED

**Cliff Electronic Components Ltd.**

76 Holmetherpe Avenue, Holmetherpe Industrial Estate,  
 Redhill, Surrey, RH1 2PF, England, UK  
 Tel: 01737-771375 Fax: 01737-766012 Website: www.cliffuk.co.uk

THE CONTENTS OF THIS DOCUMENT MUST NOT BE COPIED OR DISCLOSED TO A 3rd PARTY WITHOUT WRITTEN PERMISSION OF CLIFF UK. © 2004

DIMENSIONS IN MILLIMETERS UNLESS OTHERWISE STATED. WORK TO DIMENSIONS. REMOVE ALL BURRS. IF IN DOUBT ASK.

3rd ANGLE PROJECTION:

DO NOT SCALE

MATERIAL: COMPOSITE

FINISH: CLEAN

DRAWN: D.P.J.

APPROVED: R.W.T.

TITLE: 1/4" JACK SOCKET S1C/BBB/SPN/NN

DRWG. No. **FCR11155**

FORM: A4DRWGH

## **X-ON Electronics**

Largest Supplier of Electrical and Electronic Components

*Click to view similar products for [cliff](#) manufacturer:*

Other Similar products are found below :

[CL-SFE/1 FILTERS](#) [CIH206011](#) [FM686813](#) [CP30152](#) [CP30211](#) [CP303011X](#) [CP30173](#) [CP30176](#) [CP30178](#) [CP30179](#) [CP30180](#) [CP30500C](#)  
[FC6141](#) [CP30202M3](#) [CP30201](#) [FCR1295](#) [FCR2065](#) [CP30208NX](#) [FCR7360B](#) [FM686816](#) [CIH29950](#) [CP30225SM](#) [CL681561](#) [CP30170](#)  
[CP30174](#) [CIH684216](#) [FCR2062](#) [FW6190](#) [CP30182](#) [CP30184](#) [CP30202M](#) [CIH3021](#) [CL19192RB](#) [CP30208NMB](#) [CP30230X](#) [FM686806](#)  
[CL1396](#) [CL1110](#) [CP30181](#) [CP30183](#) [CP30202M3B](#) [CIH3007](#) [CL2075S](#) [BS300LLL](#) [FCR79910RB](#) [CIH30240B](#) [CL2076S](#) [CL2160B](#) [TP/6](#)  
[CS](#) [DC8](#) [CP303090X](#)