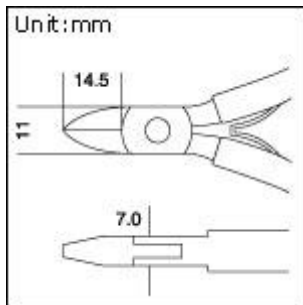


1PK-20 Semi-Flush Side Cutter (110mm)



- Made of stainless steel with mirror polished finish
- Leaf springs are spot welded to the tool handles to fix the jaws in a comfortable position
- Forged box joint construction gives strength and precision

Specification



| Material | HRC | Application | OAL. | Individual packing |
|----------|---------|---|-------|--------------------|
| AISI 420 | 45° ±3° | Hard steel: 0.8mm Soft steel: 1.3mm Copper: 2.0mm | 110mm | Blister card |

X-ON Electronics

Largest Supplier of Electrical and Electronic Components

Click to view similar products for [unbranded manufacturer](#):

Other Similar products are found below :

[BL200H](#) [396.357](#) [AC-9](#) [MODEL 1000](#) [MPT-251](#) [20844](#) [BP00001/36 ROLLS](#) [62845](#) [A1319](#) [MA0510BIM-3PIN](#) [HT-328](#) [OL1000](#) [JR9235-1M BLUE](#) [195.303](#) [SB344](#) [JR9021-2M](#) [029-1039](#) [F2](#) [WATERPROOF CASE 24"](#) [CS-47](#) [MA0410B1M](#) [10HA084](#) [26.514.5026.50](#) [JR9235-1.5M RED](#) [029-0058](#) [KLEIN TOOLS SCREWDRIVER 4-IN-1](#) [JR9235-1M YELLOW](#) [S2G](#) [029-1044](#) [JR9235-0.5M YELLOW](#) [199.370](#) [JR9235-0.5M BLUE](#) [WATERPROOF CASE 10.5"](#) [JR9235-0.5M GREEN](#) [WATERPROOF CASE 18"](#) [JR9235-1M RED](#) [029-0054](#) [JR9235-1M BLACK](#) [JR8001/0.5M BLACK](#) [JR9235-0.5M RED](#) [029-1022](#) [15X24X24" SQUARE BIN LINERS, 200 PER BOX](#)