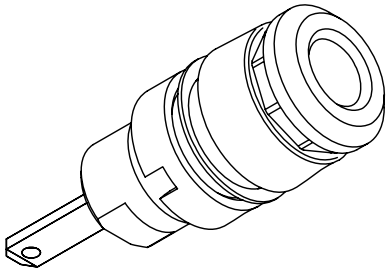
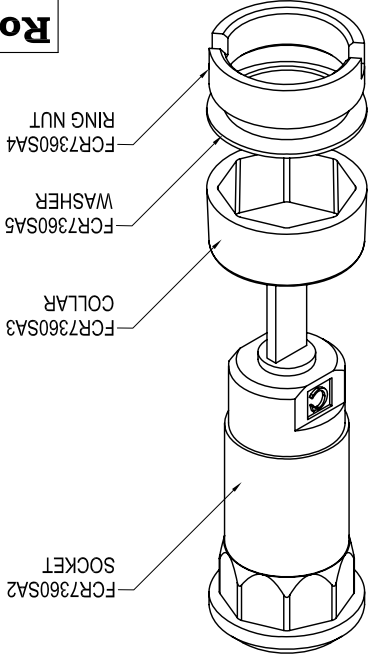


COLOUR	PART NUMBER
BLACK	FCR7360B
RED	FCR7360R
GREEN	FCR7360G
BLUE	FCR7360L
YELLOW	FCR7360Y



- NOTES:-**
1. SUPPLIED WITH COLLAR (FCR7360SA3), SLOTTED RING NUT (FCR7360SA4) AND WASHER (FCR7360SA5) BULK PACKED.
 2. SOCKET CAN BE TIGHTENED FROM THE FRONT USING SPECIAL TOOL FCR7360T.

DIMENSIONS IN MILLIMETERS UNLESS OTHERWISE STATED. WORK TO DIMENSIONS. DO NOT SCALE DRAWING. 3rd ANGLE PROJECTION. REMOVE ALL BURRS. IF IN DOUBT ASK.

Cliff Electronic Components Ltd.

76 Holmehorpe Ave., Holmehorpe Ind. Estate,
Redhill, Surrey, RH1 2PF, England
Tel: 01737-771375 Fax: 01737-766012

MATERIAL NYLON 6 / BRASS

FINISH SPARK 32 VDI / GOLD PLATED

DRAWN NJB

APPD. DPJ

DRWG. No. **FCR7360**

FORM: ADDRWHG

TITLE S18 2mm PANEL SOCKET WITH 2.8mm TAB

SCALE N.T.S.

WHERE USED F.R.

OTHERWISE STATED

UNLESS

ANGLES ±

HOLE DIA. ±

2 DEC. PLACE ±

1 DEC. PLACE ±

NO DEC. PLACE ±

TOLERANCE



ISS.

1

AMEND

ISSUED

DATE

27/03/2008

PANEL MOUNTING
OPTIONS

X-ON Electronics

Largest Supplier of Electrical and Electronic Components

Click to view similar products for [Test Sockets](#) category:

Click to view products by [Cliff](#) manufacturer:

Other Similar products are found below :

[AXS-5032-04-02](#) [AXS-3225-04-06](#) [AXS-7050-04-12](#) [5662](#) [BP30-10-B](#) [BP30GNN-1 PKG](#) [BP30-10Y-1 PKG](#) [AXS-7050-04-01](#) [AXS-5032-04-06](#) [AXS-2520-04-01](#) [AXS-5032-04-04](#) [930308101](#) [931714101](#) [15.0084-21](#) [563-0500](#) [20.1020-21](#) [20-313137](#) [20-313139](#) [20-313144](#) [20-313140](#) [20-313143](#) [22.1042](#) [+ 22.2370-22](#) [23.1010-23, 24, 25, 26, 27](#) [23.3060-23](#) [24.0160-1+25.0035](#) [24.0160-4+25.0035](#) [24.116-22](#) [5281](#) [5279](#) [450-3704-01-06-00](#) [AXS-3225-04-04](#) [AXS-3225-04-10](#) [AXS-7550-06-03](#) [AXS-7550-06-05](#) [269RB](#) [2713BB](#) [BP30BN-1 PKG](#) [BP30RN-1 PKG](#) [571-0200](#) [450-3422-01-06-00](#) [450-3888-01-04-00](#) [BP30GP10](#) [571-0400](#) [571-0600](#) [66.9131-23](#) [66.9427-22](#) [BP21-2BRN-B](#) [PKG](#) [930058104](#) [930103102](#) [930103188](#)