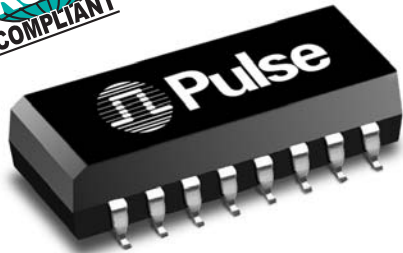


EXTENDED TEMPERATURE SURFACE MOUNT 10BASE-T INTERFACE MODULES



Fully Integrated for Adapter, Hub and Motherboard Applications



- For RoHS part add suffix **NL³**
- Peak solder temperature rating per Table 5-2 in IPC/JEDEC J-STD-020C
- Extended temperature operates from -40°C to +85°C
- Meets IEEE 802.3 specification
- EX2001 part is designed for AMD extended temperature transceiver

Electrical Specifications @ 25°C — Operating Temperature -40°C to +85°C

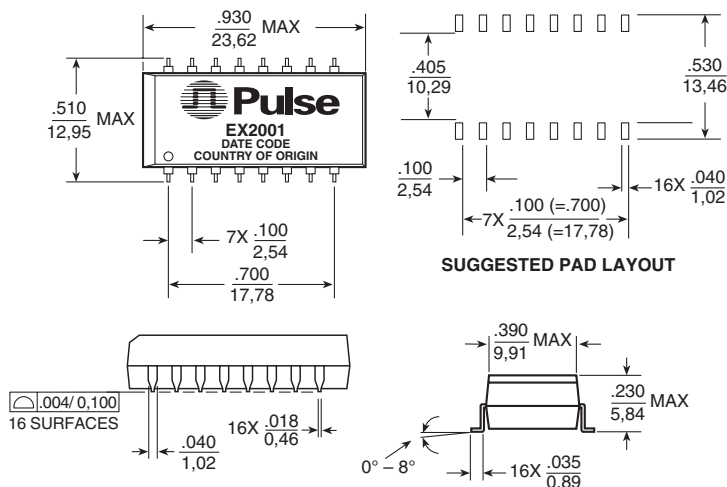
Part Number	RoHS	Insertion Loss	Attenuation (Transmit-dB MIN)				Return Loss 5-10MHz (dBMIN)		Crosstalk (dBMIN) 5-10 MHz	Common Mode Rejection (Transmit-dB MIN)					Hipot (Vrms MIN)
			1-10MHz	30MHz	50MHz	100MHz	100Ω	98Ω ±13		5MHz	10MHz	50MHz	100MHz	200MHz	
EX2001	NL2C	-1.0	-30	-35	-35	-18	-15	-35	-60	-60	-55	-50	-45	1800	

- For Tape & Reel packaging, add suffix "T" to the end of the part number e. g. EX2001T
- MSL=Moisture Sensitivity Level a=1 b=2 c=3 d=4
- Add suffix **NL** for RoHS compliant parts, e.g. EX2001 changes to EX2001NL or EX2001NLT (for Tape & Reel)

NOTE: Turns ratios are 1:1 for the EX2001. The receive and transmit sides meet IEEE 802.3i specifications. Specifications reflect filter sections.

Mechanical

EX2001



Weight 2.5 grams
 Tape & Reel250/reel
 Tube20/tube

Dimensions: $\frac{\text{Inches}}{\text{mm}}$

Unless otherwise specified, all tolerances are $\pm \frac{.010}{0.25}$

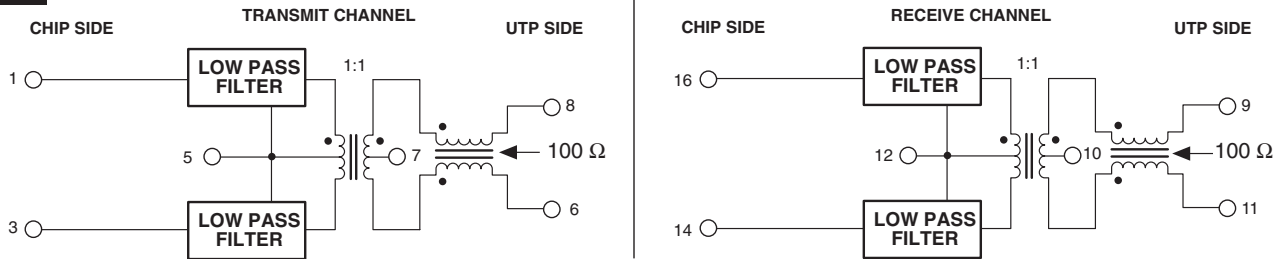
EXTENDED TEMPERATURE SURFACE MOUNT 10BASE-T INTERFACE MODULES



Fully Integrated for Adapter, Hub and
Motherboard Applications

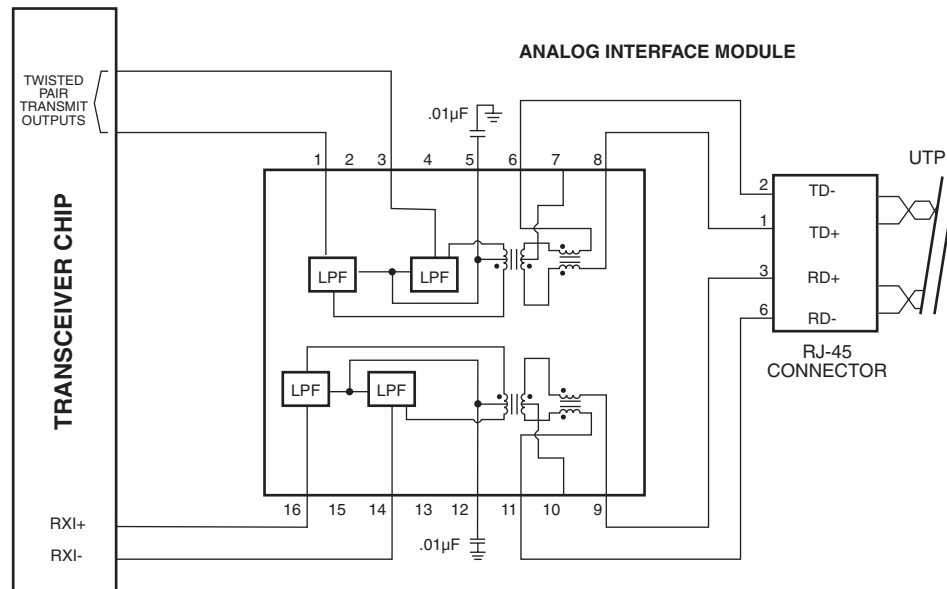
Schematics

EX2001



Typical Application Circuit

EX2001



For More Information:

Pulse Worldwide Headquarters

12220 World Trade Drive
San Diego, CA 92128
U.S.A.
www.pulseeng.com
TEL: 858 674 8100
FAX: 858 674 8262

Pulse Northern Europe

3 Huxley Road
Surrey Research Park
Guildford, Surrey GU2 5RE
United Kingdom
TEL: 44 1483 401700
FAX: 44 1483 401701

Pulse Southern Europe

Zone Industrielle
F-39270
Orgelet
France
TEL: 33 3 84 35 04 04
FAX: 33 3 84 25 46 41

Pulse China Headquarters

No. 1
Industrial District
Changan, Dongguan
China
TEL: 86 769 5538070
FAX: 86 769 5538870

Pulse North China

Room 1002
No. 819
Nanjing West Rd
Shanghai
China
TEL: 86 21 32181071
FAX: 86 21 32181396

Pulse South Asia

150 Kampong Ampat
#07-01/02
KA Centre
Singapore 368324
TEL: 65 6287 8998
FAX: 65 6280 0080

Pulse North Asia

3F-4, No. 81, Sec. 1
Hsin Tai Wu Road
Hsi-Chih
Taipei Hsien
Taiwan
TEL: 886 2 26980228
FAX: 886 2 26980948

Performance warranty of products offered on this data sheet is limited to the parameters specified. Data is subject to change without notice. Other brand and product names mentioned herein may be trademarks or registered trademarks of their respective owners.

© Copyright, 2005. Pulse Engineering, Inc. All right reserved.

www.pulseeng.com

X-ON Electronics

Largest Supplier of Electrical and Electronic Components

Click to view similar products for [Transformers Audio & Signal](#) category:

Click to view products by [Pulse](#) manufacturer:

Other Similar products are found below :

[CX2041NLT](#) [MGPWT-00449-P](#) [PL2615NL](#) [H1302FNLT](#) [H5012FNL](#) [H5077NLT](#) [H5084FNLT](#) [E4001NLT](#) [BX1194WNL](#) [HX2260FNL](#)
[HX5014FNL](#) [PA1136NL](#) [PA2437NL](#) [EX2024FNL](#) [T1049NL](#) [PE-65848FNLT](#) [PE-68023NL](#) [PH0905NL](#) [H1174FNL](#) [H1302FNL](#)
[H5015FNL](#) [H5062FNLT](#) [CX2047LNL](#) [MGPWT-00266-P](#) [MGPWT-00278-P](#) [MGPWT-00431-P](#) [BX1194WNLT](#) [HX5019FNL](#) [HX5084NL](#)
[TX1263NLT](#) [4-1879391-0](#) [PA0173NLT](#) [PA1284NLT](#) [T1142NL](#) [T60403-Y4021-X115](#) [HX6101FNL](#) [HX1148NL](#) [HX5020FNLT](#)
[HX5014FNLT](#) [T1124NL](#) [1879732-1](#) [B8846NL](#) [TX1267NLT](#) [TX1341NL](#) [H0013FNL](#) [H1270FNLT](#) [H2009FNL](#) [H5008FNLT](#) [H7008FNLT](#)
[H5004NLT](#)