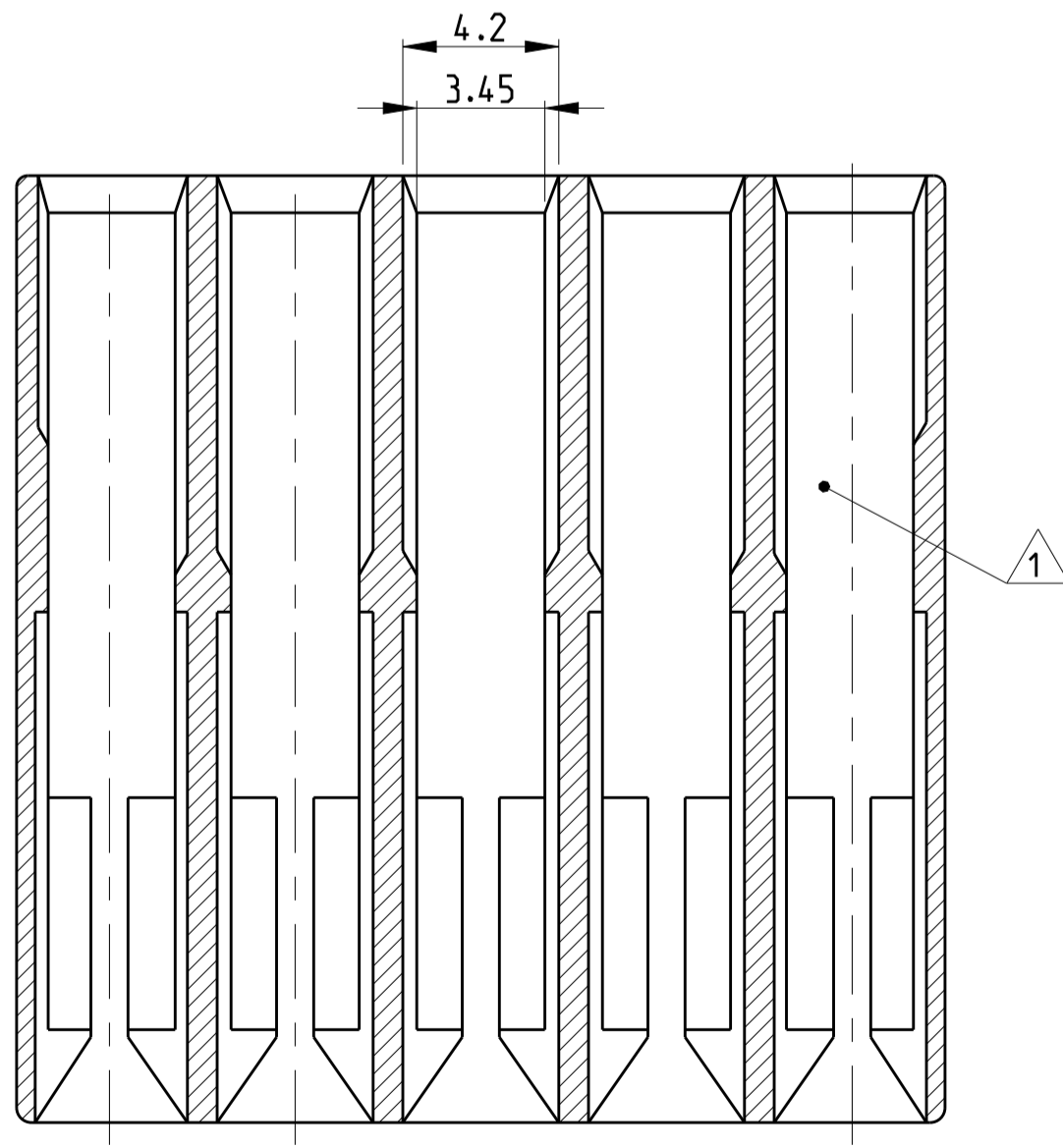
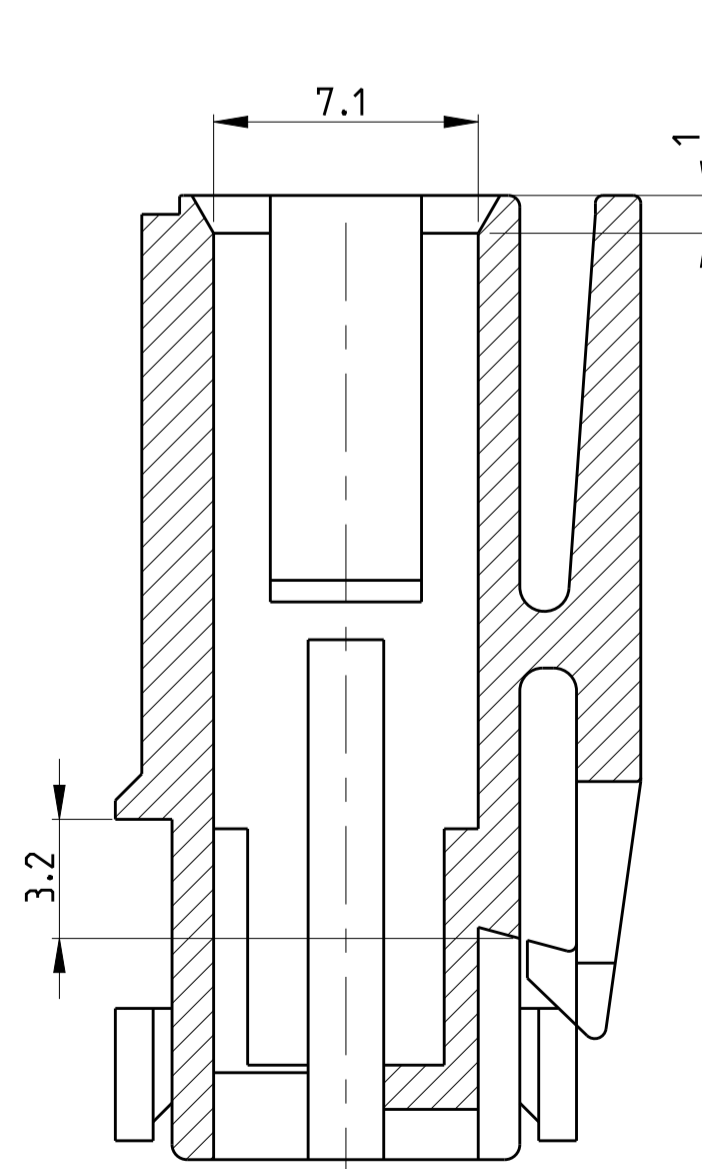
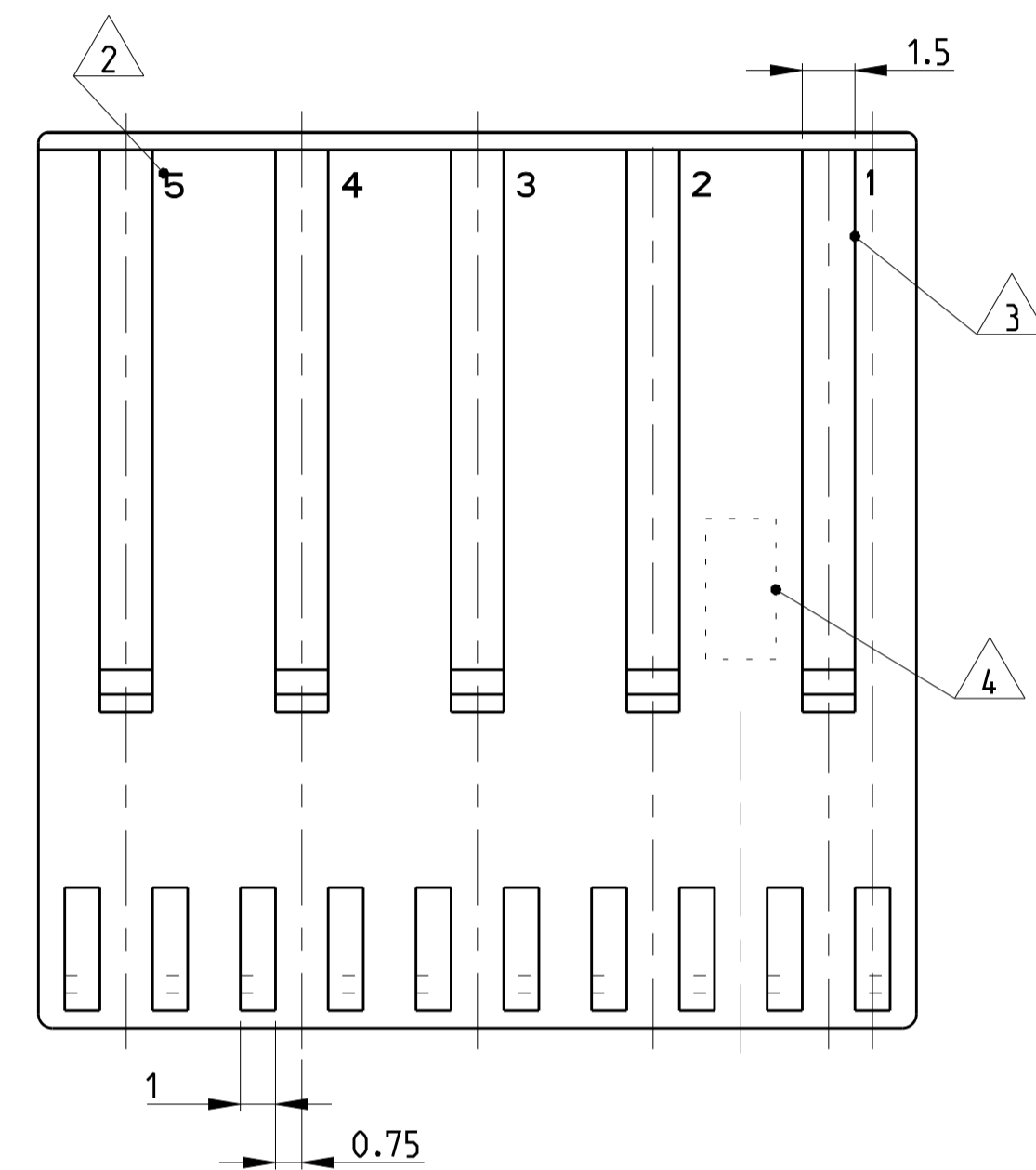
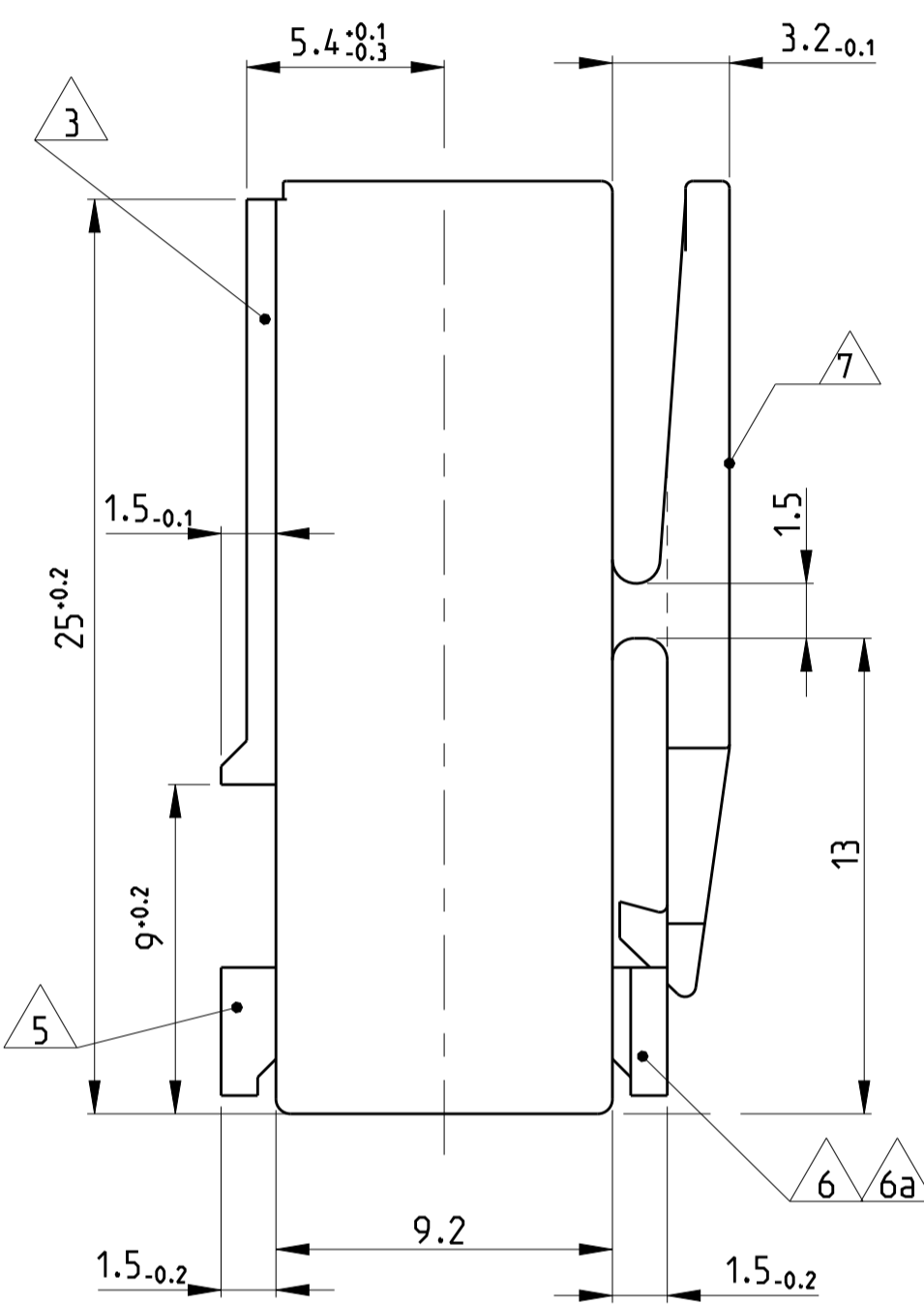
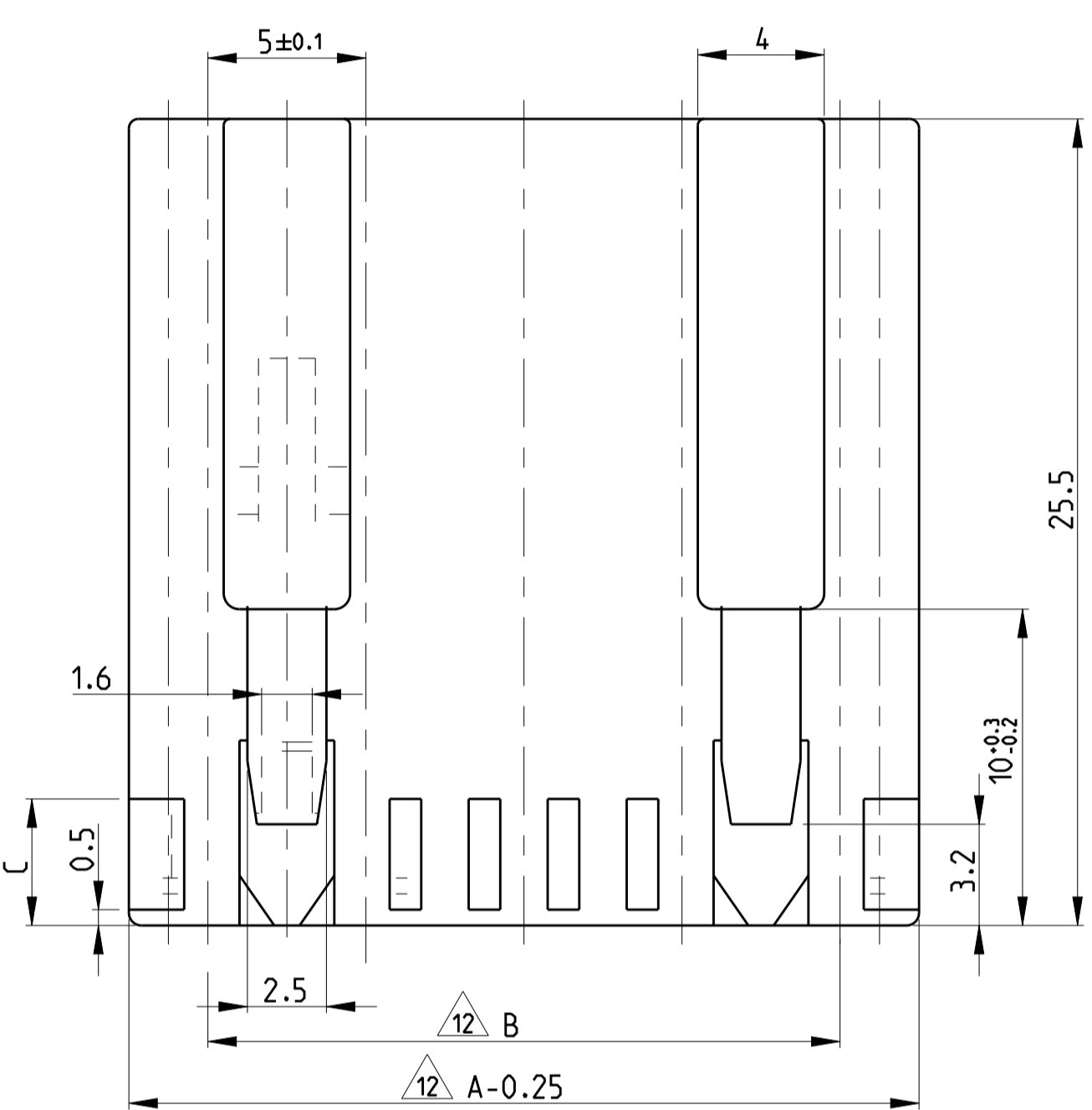
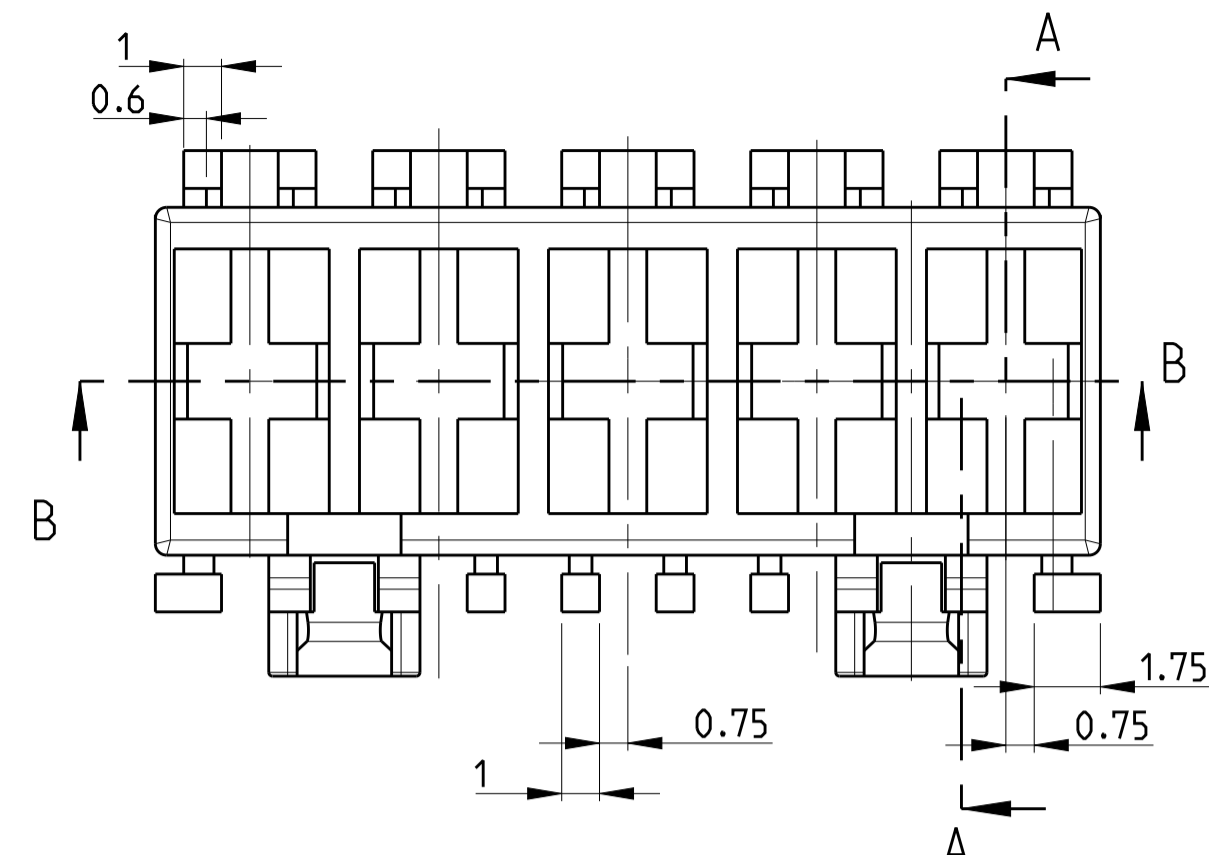


| LOC | | DIST | | REVISIONS | | | |
|-----|---|------|-----|----------------|------------|-----|------|
| A1 | - | P | LTR | DESCRIPTION | DATE | DWN | APVD |
| | | C26 | | ECR-15-011321 | 30JUL2015 | KD | RR |
| | | C27 | | ECR-15-0131489 | 14SEP2015 | KD | RR |
| | | C28 | | ECR-15-015988 | 30DEC12015 | FL | RR |
| | | C29 | | ECR-16-002241 | 17FEB2016 | KD | RR |



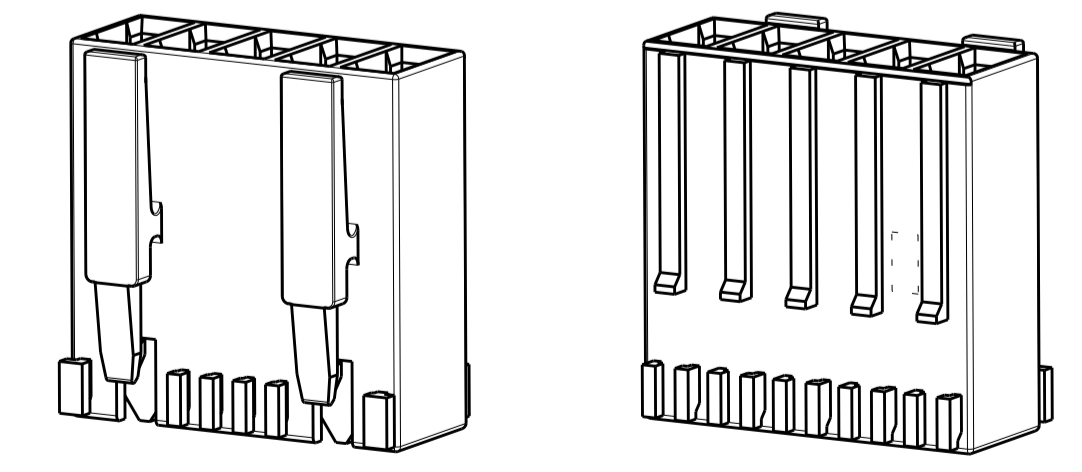
SECTION A-A / Schnitt A-A

SECTION B-B / Schnitt B-B

REMARKS/Bemerkungen

- 1 CAVITY SUITABLE FOR STANDARD TIMER CONTACTS LISTED IN PROD.SPEC. 108-18049. ITEM 3.3.2
Kammer geeignet für Standard Timer Kontakte gelistet in Prod. Spec. 108-18049. Punkt 3.3.2
- 2 CONTACT CAVITY NO.
Kontaktkammernummerierung
- 3 MATING STOP
Tiefenanschlag
- 4 AREA FOR TE LOGO ACC: TO SPEC 202-36
Bereich für TE Logo nach Spec. 202-36
- 5 POLARIZATION RIB POSITION "a" AND/OR "b"
Polarisierungsrippe Position "a" und/oder "b"
- 6 KEYING RIB POSITION "c" AND/OR "d"
Kodierrippe Position "c" und/oder "d"
- 6a KEYING RIB POSITION "c" AND/OR "d" AT THE END WALLS OF THE HOUSING
Kodierrippe Position "c" und/oder "d" an den Gehäusestirnseiten
- 7 LOCKING LATCH
Rasthaken
- 8 TE PART NO (PN)
TE Bestell Nr. (PN)
- 9 DESIGN OF THE HOUSINGS ACC: TO RAST 5 STANDARD
Gehäuseausführung gemäss RAST 5 Vorgabe
- 10 GENERAL SUITABLE TAB HEADER SEE RAST 5 PERFORMANCE
Generell passende Flachsteckerwannen siehe RAST 5 Vorgabe
- 11 PACKAGING: BULK PACKAGING IN CORRUGATED BOX PN 740580-2
2 POS. 2500 PIECES PER BOX / 3 POS. 2000 PIECES PER BOX
Verpackung: Schüttgut in Versandkarton Pn 740580-2
2pol. 2500 Stück per Karton / 3pol. 2000 Stück per Karton
- 12 DIMENSION A, B AND C SEE SHEET 2 OF 3
- 13 MATERIAL CORRESPONDS TO THE REQUIREMENT EN 60335
(INCL. GLOW WIRE TEST 750° WITHOUT FLAME)
Material entspricht den Anforderungen der EN 60335
(inkl. Glühdrahttest 750° ohne Flamme)
- 14 RATIO NUMBER OF THE KEYING VERSION, INKJET PRINTED. SEE SHEET 2
Kodierungskennnummer, mit Tintenstrahldrucker aufgebracht. siehe Blatt 2
- 15 PRELIMINARY- NOT RELEASED FOR PRODUCTION

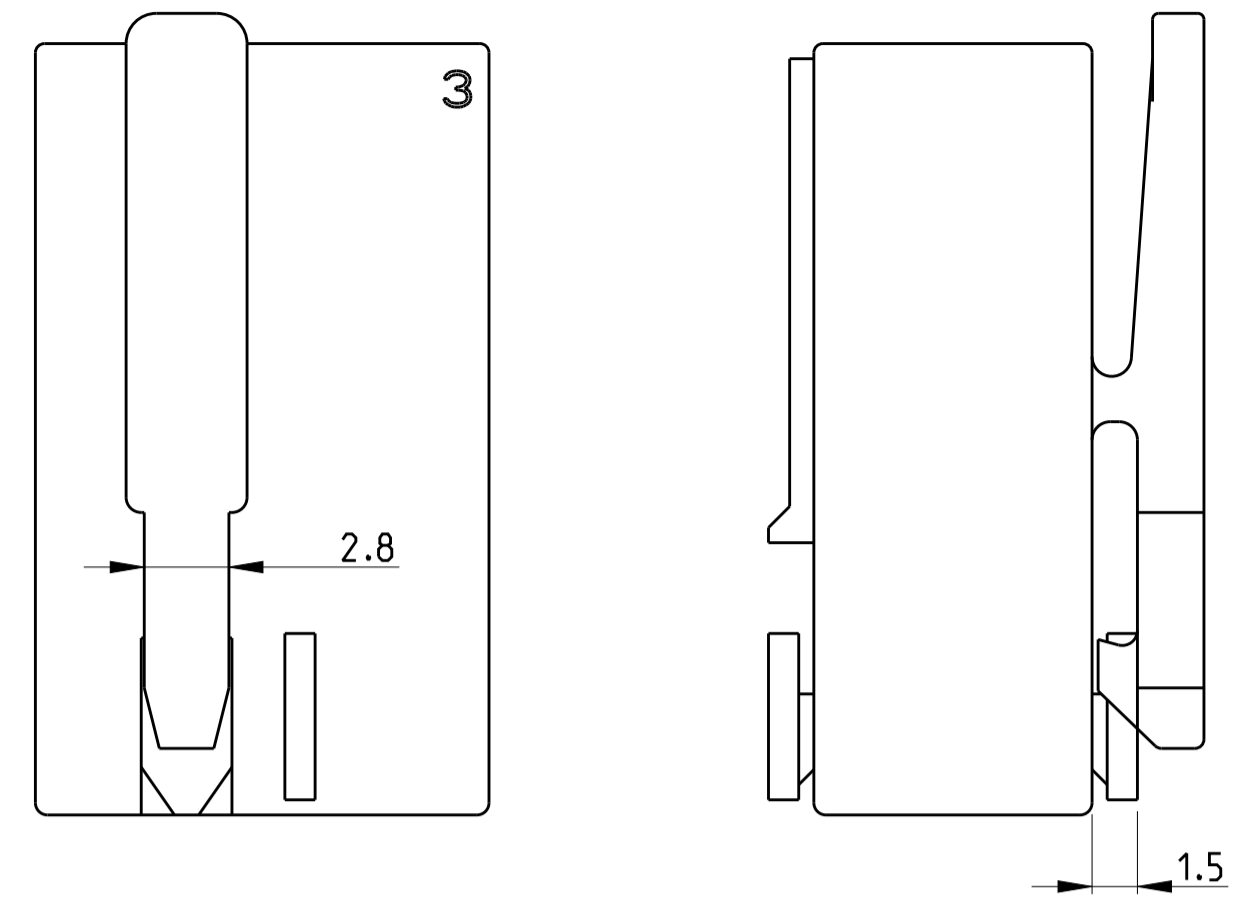
5 POSITION STD. TIMER MARK-II HOUSING



SCALE 2:1

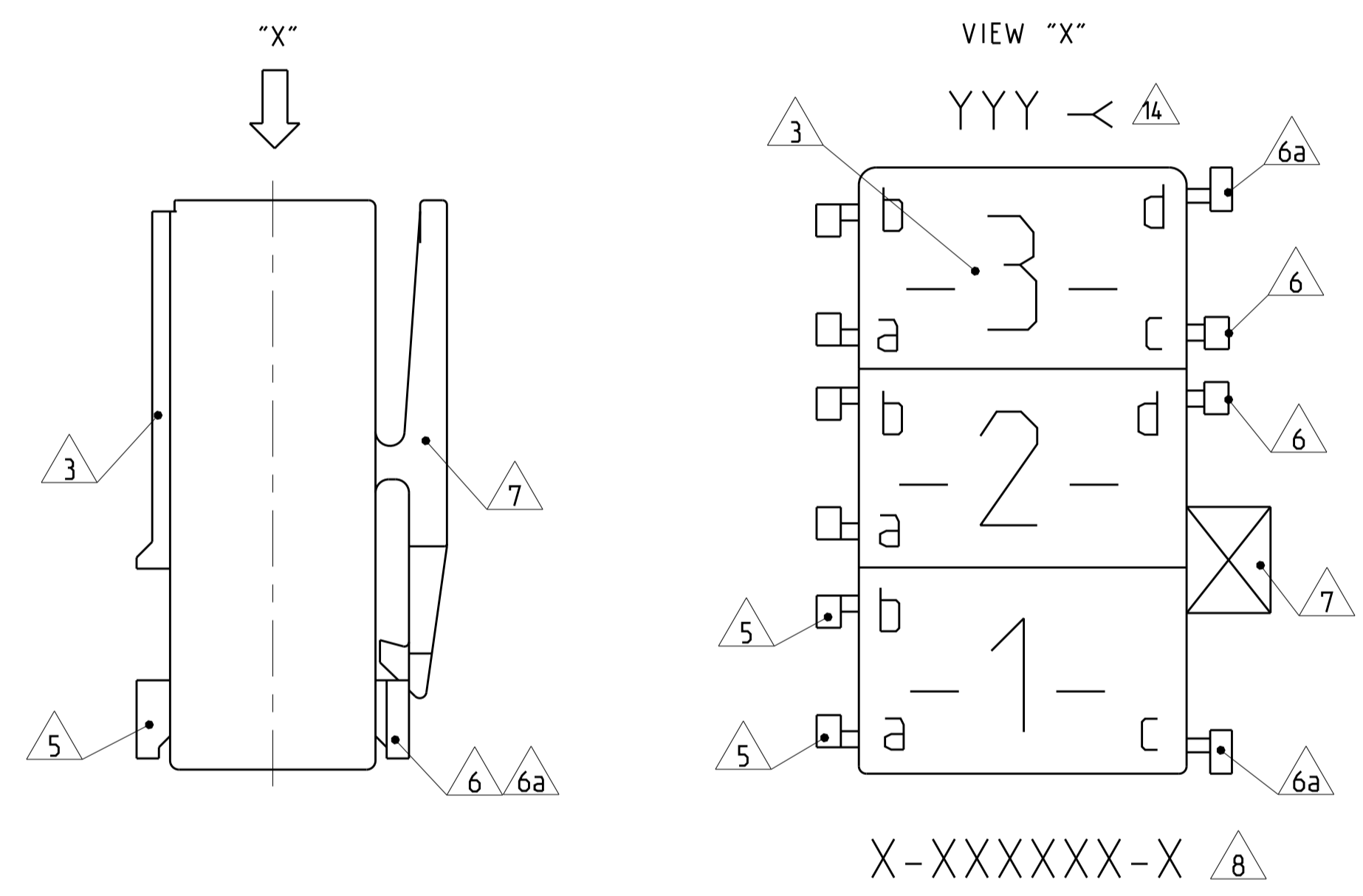
| | | | |
|--|--|----------------------------|---|
| THIS DRAWING IS A CONTROLLED DOCUMENT. | | DWN: Kishor M. 18-10-07 | |
| DIMENSIONS: mm | | CHK: K. Munz 18-10-07 | |
| TOLERANCES UNLESS OTHERWISE SPECIFIED: | | APVD: Th. Klenner 18-10-07 | NAME: STANDARD TIMER HSG. RAST 5 MARK II Standard Timer Gehäuse RAST 5 Mark II |
| 0 PLC ±0.2 | | PRODUCT SPEC: 108-18049 | |
| 1 PLC ±0.2 | | APPLICATION SPEC: | SIZE: CAGE CODE: DRAWING NO: A1 00779 C=1241961 |
| 2 PLC ±0.2 | | RESTRICTED TO: | SCALE: 5:1 SHEET 1 OF 3 REV: C29 |
| 3 PLC ± | | Customer Drawing | |
| 4 PLC ± | | | |
| ANGLES FINISH: * | | | |
| MATERIAL: SEE TABLE SHEET 2 OF 3 | | WEIGHT: - | |

ONLY 5-1241961-7, 1-1241961-9, 7-1241961-7



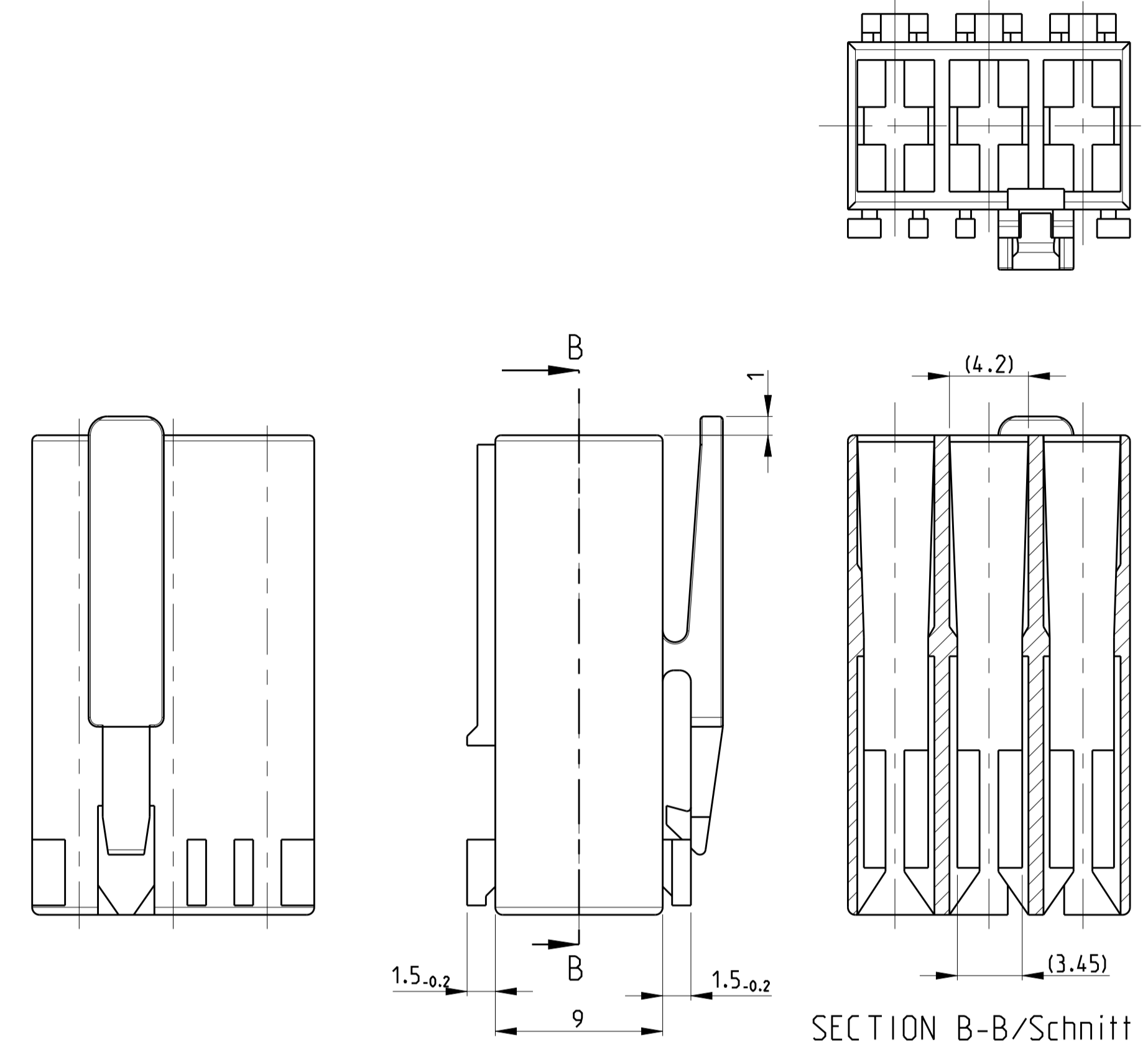
ALL OTHER DIMENSIONS SEE SHEET 1 OF 3

KEY LAYOUT DESCRIPTION



PAY ATTENTION !
DIFFERENT CAVITY GEOMETRY AND LOCKING LATCH OVERHANG
Bitte beachten !
Unterschiedliche Kammergeometrie und Rasthakenuberstand.

FOR 2 POS. AND 3 POS.



ALL OTHER DIMENSIONS SEE SHEET 1 OF 3
Alle anderen Masse siehe Seite 1 von 3

| SPECIAL VERSION: UL94 V0 & GWT 750 NF & CTI 350 | | | | | | |
|---|---|---|----|----|------|-----------|
| 5-1241961-7 | 3 | 6 | 15 | 10 | PA66 | NATURAL A |
| 1-1241961-9 | 3 | 6 | 15 | 10 | PA66 | NATURAL A |
| 7-1241961-7 | 3 | 6 | 15 | 10 | PA66 | NATURAL A |

| SPECIAL VERSION: UL94 V2 & GWT 750 NF | | | | | | |
|---------------------------------------|---|---|----|----|----------|-----------|
| 6-2178575-7 | 3 | 4 | 15 | 10 | PA6 GF15 | NATURAL A |

| SPECIAL VERSION: UL94 V0 & GWT 750 NF | | | | | | |
|---------------------------------------|---|---|----|----|----------------------|-----------|
| 3-2178412-7 | 3 | 6 | 15 | 10 | PA66 | NATURAL 1 |
| 4-2178412-7 | 3 | 6 | 15 | 10 | UL94 V0 & GWT 750 NF | NATURAL 1 |
| 8-2178412-2 | 2 | 6 | 10 | 5 | UL94 V0 & GWT 750 NF | NATURAL 1 |

| SPECIAL MATERIAL | | | | | | |
|------------------|---|---|----|----|----------|-----------|
| 1955507-4 | 4 | 6 | 20 | 15 | PA66 | NATURAL 1 |
| 9-1955506-2 | 2 | 6 | 10 | 5 | UL 94 V0 | NATURAL 1 |

| PART NO | POS | DIMENSION C | DIM A | DIMM B | MATERIAL | COLOUR /Farbe | REV./Rev. |
|-------------|-----|-------------|-------|--------|------------------------|---------------|-----------|
| 6-1241961-7 | 3 | 4 | 15 | 10 | PA 6 UL94V-2 | NATURAL | 1 |
| 4-1241961-7 | 3 | 4 | 15 | 10 | PA 6 UL94V-2 | NATURAL | A |
| 3-1241961-7 | 3 | 4 | 15 | 10 | PA 6 UL94V-2 | NATURAL | A |
| 1-1955422-7 | 3 | 4 | 15 | 10 | PA 66 UNFILLED UL94 V0 | NATURAL | A |
| 5-1955422-7 | 3 | 4 | 15 | 10 | PA 66 UNFILLED UL94 V0 | NATURAL | A |
| 4-1955422-3 | 2 | 6 | 10 | 5 | PA 66 UNFILLED UL94 V0 | NATURAL | A |
| 2-1241817-3 | 3 | 4 or 6 | 15 | 10 | PA 66 UL94 V-2 | Green | E |
| 0-1955422-6 | 3 | 4 | 15 | 10 | PA 66 UNFILLED UL94 V0 | NATURAL | A |
| 8-1241961-8 | 3 | 4 | 15 | 10 | PA 6 UL94V-2 | natural | C |
| 0-1241961-8 | 3 | 4 | 15 | 10 | PA 6 UL94V-2 | natural | A |
| 8-1241961-3 | 2 | 4 | 10 | 5 | PA 6 UL94V-2 | natural | C |
| 3-1241961-1 | 2 | 4 | 10 | 5 | PA 6 UL94V-2 | NATURAL | C |
| 0-1955422-1 | 2 | 4 | 10 | 5 | PA 66 UNFILLED UL94 V0 | NATURAL | A |

| PART NO | POS | DIMENSION C | DIM A | DIMM B | MATERIAL | COLOUR /Farbe | REV./Rev. |
|-------------|-----|-------------|-------|--------|----------------|-----------------|-----------|
| 0-1241959-5 | 5 | 4 | 25 | 20 | PA 6 UL94V-2 | Natural/natur | B |
| 4-1241959-4 | 4 | 4 | 20 | 15 | PA 6 UL94V-2 | Natural/natur | A |
| 2-1241959-4 | 4 | 4 | 20 | 15 | PA 6 UL94V-2 | Natural/natur | B |
| 0-1241959-4 | 4 | 4 | 20 | 15 | PA 6 UL94V-2 | Natural/natur | B |
| 2-1241817-5 | 5 | 6 | 25 | 20 | PA 6.6 UL94V-2 | Natural/natur | C |
| 0-1241817-5 | 5 | 4 | 25 | 20 | PA 6.6 UL94V-2 | Black/schwarz | C |
| 3-1241817-4 | 4 | 6 | 20 | 15 | PA 6.6 UL94V-2 | Violet/violett | C |
| 2-1241817-4 | 4 | 6 | 20 | 15 | PA 6.6 UL94V-2 | Grey/grau | C |
| 0-1241817-4 | 4 | 4 | 20 | 15 | PA 6.6 UL94V-2 | Natural/natur | C |
| 2-1241983-2 | 2 | 4 | 10 | 5 | PA 6 UL94V-2 | Green/grün | C |
| 1-1241983-2 | 2 | 4 | 10 | 5 | PA 6 UL94V-2 | Violet/violett | C |
| 0-1241983-2 | 2 | 4 | 10 | 5 | PA 6 UL94V-2 | TARGET RAL 4001 | C |
| 8-1241983-2 | 2 | 4 | 10 | 5 | PA 6 UL94V-2 | Yellow/gelb | C |
| 5-1241983-3 | 2 | 4 | 10 | 5 | PA 6 UL94V-2 | Black/schwarz | C |
| 6-1241983-2 | 2 | 4 | 10 | 5 | PA 6 UL94V-2 | Blue/blau | C |
| 9-1241961-8 | 3 | 4 | 15 | 10 | PA 6 UL94V-2 | Natural/natur | C |
| 6-1241961-8 | 3 | 4 or 6 | 15 | 10 | PA 6 UL94V-2 | Natural/natur | C |
| 5-1241961-8 | 3 | 4 or 6 | 15 | 10 | PA 6 UL94V-2 | Natural/natur | C |
| 4-1241961-8 | 3 | 4 or 6 | 15 | 10 | PA 6 UL94V-2 | Natural/natur | C |
| 7-1241961-8 | 3 | 4 or 6 | 15 | 10 | PA 6 UL94V-2 | Natural/natur | C |
| 1-1241961-8 | 3 | 4 or 6 | 15 | 10 | PA 6 UL94V-2 | Natural/natur | C |
| 3-1241961-8 | 3 | 6 | 15 | 10 | PA 6 UL94V-2 | Natural/natur | C |
| 2-1241961-8 | 3 | 6 | 15 | 10 | PA 6 UL94V-2 | Natural/natur | C |
| 2-1241961-7 | 3 | 4 | 15 | 10 | PA 6 UL94V-2 | Natural/natur | C |
| 1-1241961-7 | 3 | 4 | 15 | 10 | PA 6 UL94V-2 | Natural/natur | C |
| 9-1241961-9 | 3 | 6 | 15 | 10 | PA 6.6 UL94V-2 | Yellow/gelb | C |
| 0-1241961-6 | 3 | 6 | 15 | 10 | PA 6.6 UL94V-2 | Yellow/gelb | C |
| 2-1241961-2 | 2 | 4 | 10 | 5 | PA 6 UL94V-2 | Natural/natur | C |
| 5-1241961-2 | 2 | 4 | 10 | 5 | PA 6 UL94V-2 | Natural/natur | C |
| 4-1241961-3 | 2 | 4 | 10 | 5 | PA 6 UL94V-2 | Natural/natur | C |
| 7-1241961-2 | 2 | 4 | 10 | 5 | PA 6 UL94V-2 | Natural/natur | C |
| 7-1241961-3 | 2 | 4 | 10 | 5 | PA 6 UL94V-2 | Natural/natur | C |
| 6-1241961-3 | 2 | 4 | 10 | 5 | PA 6 UL94V-2 | Natural/natur | C |
| 3-1241961-2 | 2 | 4 | 10 | 5 | PA 6 UL94V-2 | Natural/natur | C |
| 5-1241961-3 | 2 | 4 | 10 | 5 | PA 6 UL94V-2 | Natural/natur | C |
| 6-1241961-2 | 2 | 4 | 10 | 5 | PA 6 UL94V-2 | Natural/natur | C |
| 0-1241961-3 | 2 | 4 | 10 | 5 | PA 6 UL94V-2 | Natural/natur | C |
| 8-1241961-2 | 2 | 4 | 10 | 5 | PA 6 UL94V-2 | Natural/natur | C |
| 9-1241961-2 | 2 | 4 | 10 | 5 | PA 6 UL94V-2 | Natural/natur | C |
| 0-1241961-1 | 2 | 4 | 10 | 5 | PA 6 UL94V-2 | Natural/natur | C |
| 9-969484-9 | 3 | 6 | 15 | 10 | PA 6.6 UL94V-2 | Yellow/gelb | C |
| 2-969484-8 | 3 | 6 | 15 | 10 | PA 6.6 UL94V-2 | Yellow/gelb | C |
| 0-969484-8 | 3 | 6 | 15 | 10 | PA 6.6 UL94V-2 | Yellow/gelb | C |
| 0-969484-8 | 3 | 4 or 6 | 15 | 10 | PA 6.6 UL94V-2 | Yellow/gelb | C |
| 9-969484-7 | 3 | 4 | 15 | 10 | PA 6.6 UL94V-2 | Yellow/gelb | C |
| 8-969484-7 | 3 | 4 | 15 | 10 | PA 6.6 UL94V-2 | Yellow/gelb | C |
| 7-969484-7 | 3 | 4 | 15 | 10 | PA 6.6 UL94V-2 | Yellow/gelb | C |
| 6-969484-7 | 3 | 4 | 15 | 10 | PA 6.6 UL94V-2 | Yellow/gelb | C |
| 5-969484-7 | 3 | 4 | 15 | 10 | PA 6.6 UL94V-2 | Yellow/gelb | C |
| 4-969484-7 | 3 | 4 | 15 | 10 | PA 6.6 UL94V-2 | Yellow/gelb | C |
| 3-969484-7 | 3 | 4 | 15 | 10 | PA 6.6 UL94V-2 | Yellow/gelb | C |
| 2-969484-7 | 3 | 4 | 15 | 10 | PA 6.6 UL94V-2 | Yellow/gelb | C |
| 1-969484-7 | 3 | 4 | 15 | 10 | PA 6.6 UL94V-2 | Yellow/gelb | C |
| 0-969484-7 | 3 | 4 | 15 | 10 | PA 6.6 UL94V-2 | Yellow/gelb | C |
| 9-969484-6 | 3 | 6 | 15 | 10 | PA 6.6 UL94V-2 | Yellow/gelb | C |
| 8-969484-6 | 3 | 6 | 15 | 10 | PA 6.6 UL94V-2 | Yellow/gelb | C |
| 7-969484-6 | 3 | 6 | 15 | 10 | PA 6.6 UL94V-2 | Yellow/gelb | C |
| 6-969484-6 | 3 | 6 | 15 | 10 | PA 6.6 UL94V-2 | Yellow/gelb | C |
| 5-969484-6 | 3 | 6 | 15 | 10 | PA 6.6 UL94V-2 | Yellow/gelb | C |
| 4-969484-6 | 3 | 6 | 15 | 10 | PA 6.6 UL94V-2 | Yellow/gelb | C |
| 3-969484-6 | 3 | 6 | 15 | 10 | PA 6.6 UL94V-2 | Yellow/gelb | C |
| 2-969484-6 | 3 | 6 | 15 | 10 | PA 6.6 UL94V-2 | Yellow/gelb | C |
| 1-969484-6 | 3 | 6 | 15 | 10 | PA 6.6 UL94V-2 | Yellow/gelb | C |
| 0-969484-6 | 3 | 6 | 15 | 10 | PA 6.6 UL94V-2 | Yellow/gelb | C |
| 9-969484-3 | 3 | 4 | 10 | 5 | PA 6.6 UL94V-2 | Natural/natur | H |
| 8-969484-3 | 3 | 4 | 10 | 5 | PA 6.6 UL94V-2 | Natural/natur | H |
| 7-969484-3 | 3 | 4 | 10 | 5 | PA 6.6 UL94V-2 | Natural/natur | H |
| 6-969484-3 | 3 | 4 | 10 | 5 | PA 6.6 UL94V-2 | Natural/natur | H |
| 5-969484-3 | 3 | 4 | 10 | 5 | PA 6.6 UL94V-2 | Natural/natur | H |
| 4-969484-3 | 3 | 4 | 10 | 5 | PA 6.6 UL94V-2 | Natural/natur | H |
| 3-969484-3 | 3 | 4 | 10 | 5 | PA 6.6 UL94V-2 | Natural/natur | H |
| 2-969484-3 | 3 | 4 | 10 | 5 | PA 6.6 UL94V-2 | Natural/natur | H |
| 1-969484-3 | 3 | 4 | 10 | 5 | PA 6.6 UL94V-2 | Natural/natur | H |
| 0-969484-3 | 3 | 4 | 10 | 5 | PA 6.6 UL94V-2 | Natural/natur | H |
| 9-969484-2 | 3 | 4 | 10 | 5 | PA 6.6 UL94V-2 | Natural/natur | H |
| 8-969484-2 | 3 | 4 | 10 | 5 | PA 6.6 UL94V-2 | Natural/natur | H |
| 7-969484-2 | 3 | 4 | 10 | 5 | PA 6.6 UL94V-2 | Natural/natur | H |
| 6-969484-2 | 3 | 4 | 10 | 5 | PA 6.6 UL94V-2 | Natural/natur | H |
| 5-969484-2 | 3 | 4 | 10 | 5 | PA 6.6 UL94V-2 | Natural/natur | H |
| 4-969484-2 | 3 | 4 | 10 | 5 | PA 6.6 UL94V-2 | Natural/natur | H |
| 3-969484-2 | 3 | 4 | 10 | 5 | PA 6.6 UL94V-2 | Natural/natur | H |
| 2-969484-2 | 3 | 4 | 10 | 5 | PA 6.6 UL94V-2 | Natural/natur | H |
| 1-969484-2 | 3 | 4 | 10 | 5 | PA 6.6 UL94V-2 | Natural/natur | H |
| 0-969484-2 | 3 | 4 | 10 | 5 | PA 6.6 UL94V-2 | Natural/natur | H |
| 9-969484-1 | 3 | 4 | 10 | 5 | PA 6.6 UL94V-2 | Natural/natur | H |
| 8-969484-1 | 3 | 4 | 10 | 5 | PA 6.6 UL94V-2 | Natural/natur | H |
| 7-969484-1 | 3 | 4 | 10 | 5 | PA 6.6 UL94V-2 | Natural/natur | H |
| 6-969484-1 | 3 | 4 | 10 | 5 | PA 6.6 UL94V-2 | Natural/natur | H |
| 5-969484-1 | 3 | 4 | 10 | 5 | PA 6.6 UL94V-2 | Natural/natur | H |
| 4-969484-1 | 3 | 4 | 10 | 5 | PA 6.6 UL94V-2 | Natural/natur | H |
| 3-969484-1 | 3 | 4 | 10 | 5 | PA 6.6 UL94V-2 | Natural/natur | H |
| 2-969484-1 | 3 | 4 | 10 | 5 | PA 6.6 UL94V-2 | Natural/natur | H |
| 1-969484-1 | 3 | 4 | 10 | 5 | PA 6.6 UL94V-2 | Natural/natur | H |
| 0-969484-1 | 3 | 4 | 10 | 5 | PA 6.6 UL94V-2 | Natural/natur | H |

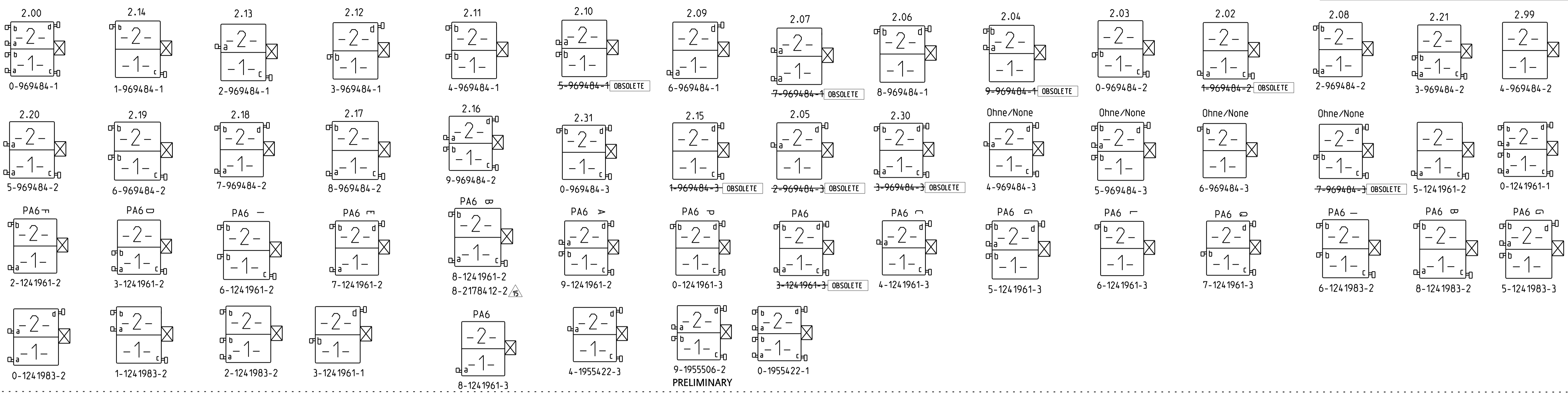
THIS DRAWING IS A CONTROLLED DOCUMENT. DWN: Kishor M. 18-10-07
CHK: K. MURZ 18-10-07
NAME: TIL Klenner 18-10-07
PRODUCT SPEC: 108-18049
APPLICATION SPEC: -

STE TE Connectivity
STANDARD TIMER HSG. RAST 5 MARK II
Standard Timer Gehäuse RAST 5 Mark II

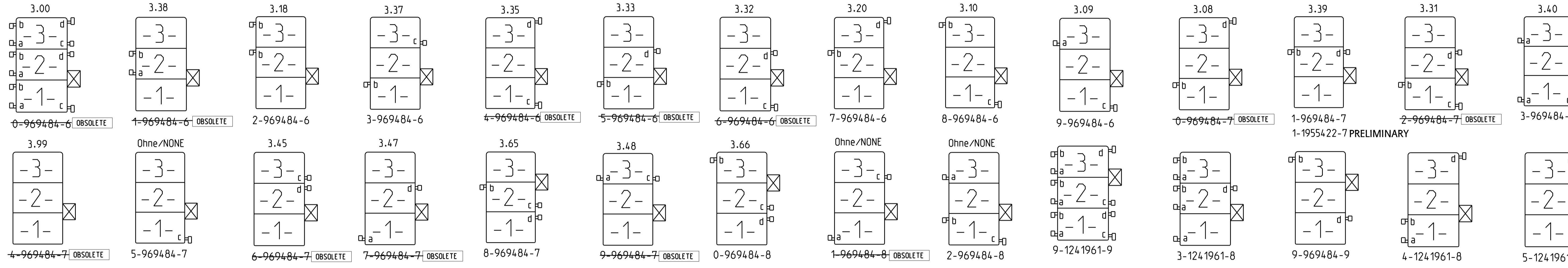
SIZE: A1 CAGE CODE: 00779 DRAWING NO: 1241961
RESTRICTED TO: -

MATERIAL: SEE TABLE SHEET 2 OF 3
WEIGHT: -
Customer Drawing
SCALE: 5:1 SHEET 2 OF 3 REV: C29

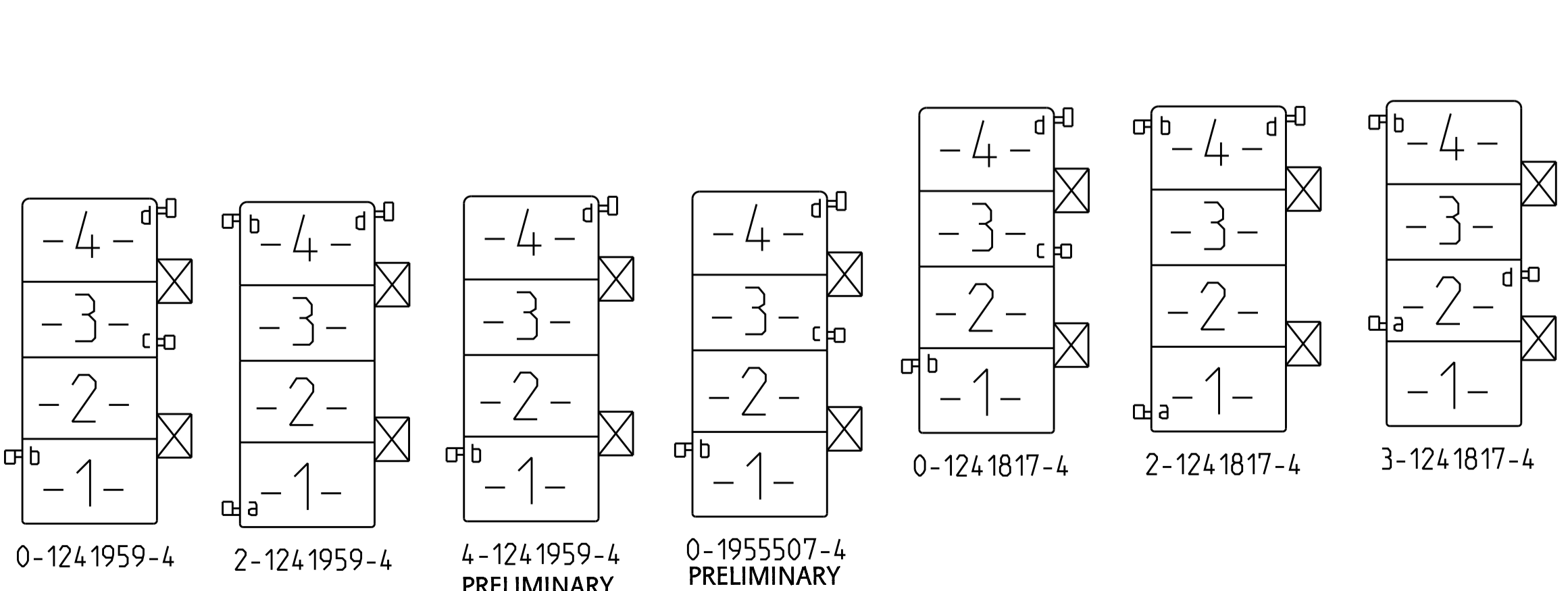
2 POSITION VARIANTS



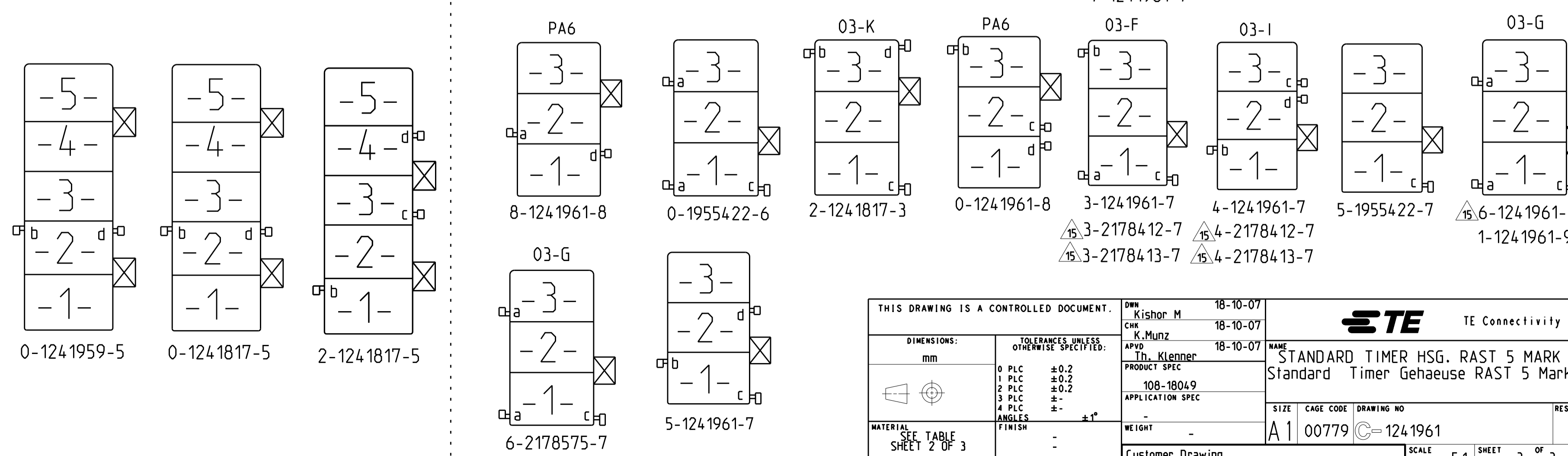
3 POSITION VARIANTS



4 POSITION VARIANTS



5 POSITION VARIANTS



| | | | | |
|--|--|-----------------------------|-------------------------|--|
| THIS DRAWING IS A CONTROLLED DOCUMENT. | | DWG: Kishor M 18-10-07 | | TE Connectivity |
| DIMENSIONS: mm | | CHK: K. MURZ 18-10-07 | | NAME: STANDARD TIMER HSG. RAST 5 MARK II |
| TOLERANCES UNLESS OTHERWISE SPECIFIED: | | APPV: T.K. Klenner 18-10-07 | PRODUCT SPEC: 108-18049 | SCALE: 5:1 |
| MATERIAL: SEE TABLE SHEET 2 OF 3 | | FINISH: - | APPLICATION SPEC: - | SHEET: 3 OF 3 |
| WEIGHT: - | | CUSTOMER DRAWING: A1 00779 | | REV: C29 |

X-ON Electronics

Largest Supplier of Electrical and Electronic Components

Click to view similar products for [Automotive Connectors](#) category:

Click to view products by [TE Connectivity](#) manufacturer:

Other Similar products are found below :

[003-018-000](#) [600858](#) [60403001](#) [60993906-B](#) [60993913-B](#) [629515004020001](#) [M902-2131](#) [M902-2161](#) [M902-2344](#) [72.330.1035.1](#)
[73.353.4028.0](#) [F118010](#) [F119300-B](#) [F132210](#) [F132210-B](#) [F166900](#) [F180100](#) [F258300](#) [F258300-B](#) [F294300-B](#) [F339100](#) [F339700](#) [F358300-](#)
[B](#) [F374110](#) [F407400](#) [F412210](#) [F427600](#) [F444110](#) [F487000](#) [F495100-B](#) [F500900-B](#) [F509500B-B](#) [770444-1](#) [776880-1](#) [827153-1](#) [881735-1](#)
[8N1515-32-24P](#) [9-1326727-8](#) [9-1326729-8](#) [925467-1](#) [925474-1](#) [928905-1](#) [936398-2](#) [964562-1](#) [964562-4](#) [964731-2](#) [965051-1](#) [968782-1](#)
[GT17SA-8DS-HU](#) [GT17VS-10DP-5.2CF](#)