

Data Sheet

PT116xxHBBF

Page 1/5

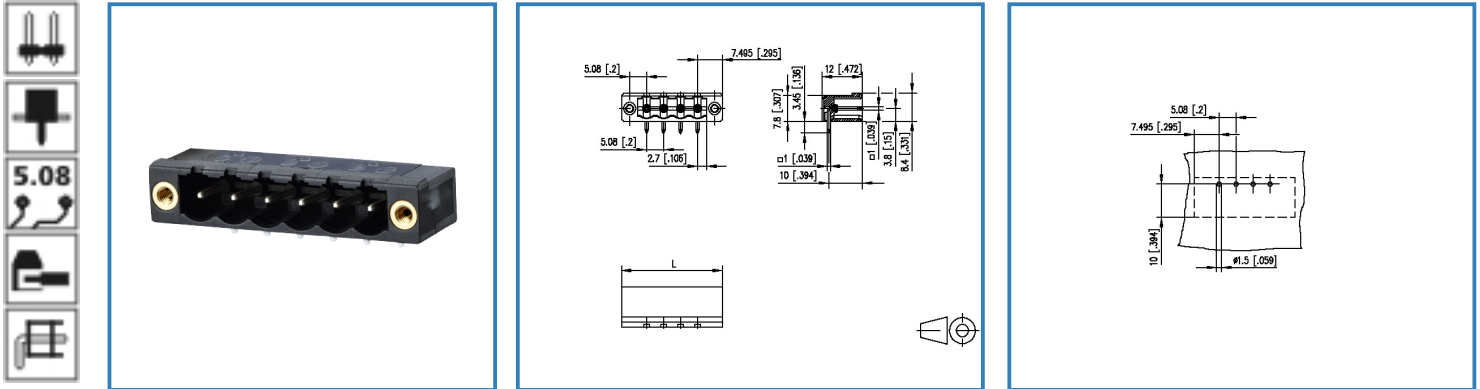
P/N

312361xx

xx=number of poles

2013/12/05

Illustration



see enlarged drawing at the end of the document

Product specification

- pin header, solderable
- centerline 5.08 mm, direction of connection 90°
- closed ends
- color black, mounting flange
- codeable
- Connection data

cRUUS V / A 300 / 15

SEV 13.5 A / 320 V / 4 kV / 3 / IEC 61984

Data Sheet

PT116xxHBBF


Technical Data

General Data

Solder pin length	3.45 mm		
min. number of poles	2		
max. number of poles	24		
Insulating material class	CTI 600		
clearance/creepage dist.	4.08 mm		
protection category	IP 00		
Overvoltage category	III	III	II
Pollution degree	3	2	2
Rated voltage	320 V	800 V	800 V
Rated test voltage	4 kV	4.0 kV	4 kV

Connection data

 V / A	300 / 15
---	----------

	13.5 A / 320 V / 4 kV / 3 / IEC 61984
--	---------------------------------------

Material

insulating material	PA66
flammability class	V0
contact pin material	CuFe
contact pin surface	Ni + Ag

Climatic properties

upper limit temperature	105 °C
lower limit temperature	-40 °C

General

solderability	For THR products acc. to IPC/JEDEC J-STD-020D-MSL 1 For THT products max. 260 °C / 10 s
Tolerance	ISO 2768 -mH

Data Sheet

PT116xxHBBF

Page 3/5

P/N

312361xx

xx=number of poles

2013/12/05

Matching Part to

P/N	Product name
312171	RP036xxHBLF Typ 217
312181	RP036xxHBLS Typ 218
312511	RP016xxVBLF Typ 251
SP066XXVBNF	SP066xxVBNF
SP066XXVBPF	SP066xxVBPF

Accessories

P/N	Product name
700024-01-9	700024
700523-0157 (on request)	Geh_Kappe_swg_Block
700523-0257 (on request)	Geh_Kappe_swg_Block

Data Sheet

PT116xxHBBF

Page 4/5

P/N

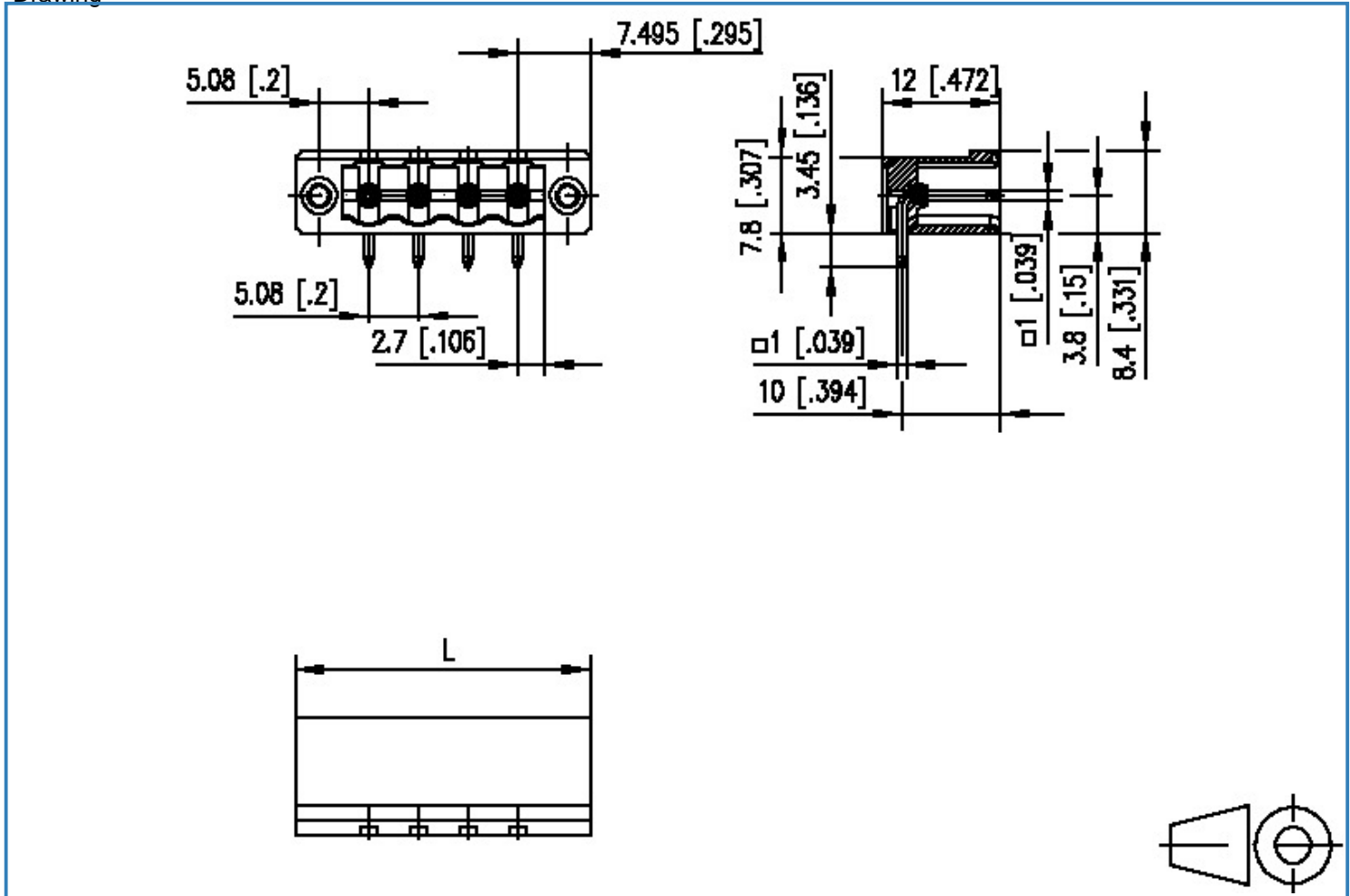
312361xx

xx=number of poles

2013/12/05

Illustration

Drawing



$$L = (\text{pole size} - 1) \times \text{centerline} + 14.99 [0.59]$$



Data Sheet

PT116xxHBBF

Page 5/5

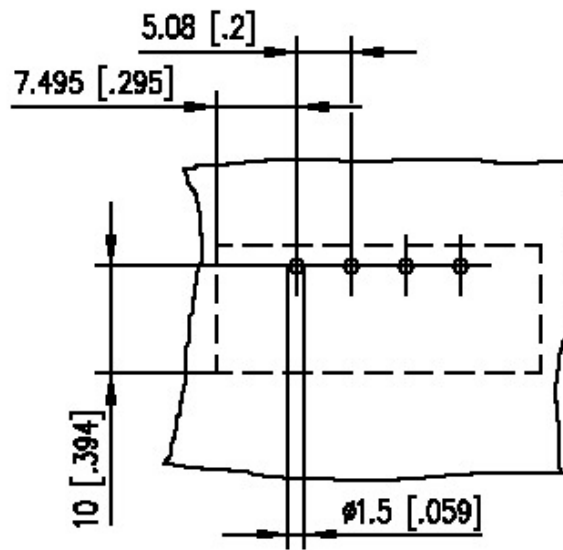
P/N

312361xx

xx=number of poles

2013/12/05

PCB Layout



X-ON Electronics

Largest Supplier of Electrical and Electronic Components

Click to view similar products for [FFC & FPC Connectors](#) category:

Click to view products by [Metz](#) manufacturer:

Other Similar products are found below :

[HFW11R-1STE1H1LF](#) [FH29B-100S-0.2SHW\(99\)](#) [FA5S008HP1](#) [FH29B-120S-0.2SHW\(99\)](#) [FH29B-80S-0.2SHW\(99\)](#) [FHS-16](#) [FPH-2022G](#)
[52610-1075](#) [52610-1275](#) [52610-1934](#) [XF3M\(1\)-1415-1B-R100](#) [501864-3091-TR225](#) [0525594033](#) [086210010340800](#) [086222026001800](#)
[52271-2869-CUT-TAPE](#) [62674-201121DLF](#) [62684-36210E9ALF](#) [52610-1675](#) [52746-1671-TR250](#) [10051922-2810EHLF](#) [6-520415-9](#)
[BD021-09A-A1-0350-0200-0550-LD](#) [SFV6R-1STE9HLF](#) [XF3M-2915-1B-R100](#) [1658549-1](#) [62674-221121ALF](#) [46214008010800](#)
[046298003000883](#) [151660622](#) [842-816-2630-035](#) [AYF530665TA](#) [AYF351525](#) [046296011930846+](#) [AYF352325A](#) [046254020000800+](#)
[FH19C-13S-0.5SH\(99\)](#) [FH39J-51S-0.3SHW\(99\)](#) [AYF355125A](#) [AYF530365TA](#) [FH29B-44S-0.2SHW\(99\)](#) [SFW5R-2STAE9LF](#) [AYF351125A](#)
[AYF350725A](#) [62684-502100AHLF](#) [FH39-61S-0.3SHW\(99\)](#) [AYF414035A](#) [10064555-172520HLF](#) [AYF212335A](#) [504754-2500](#)