

Data Sheet

PT116xxHBBF

Page 1/5

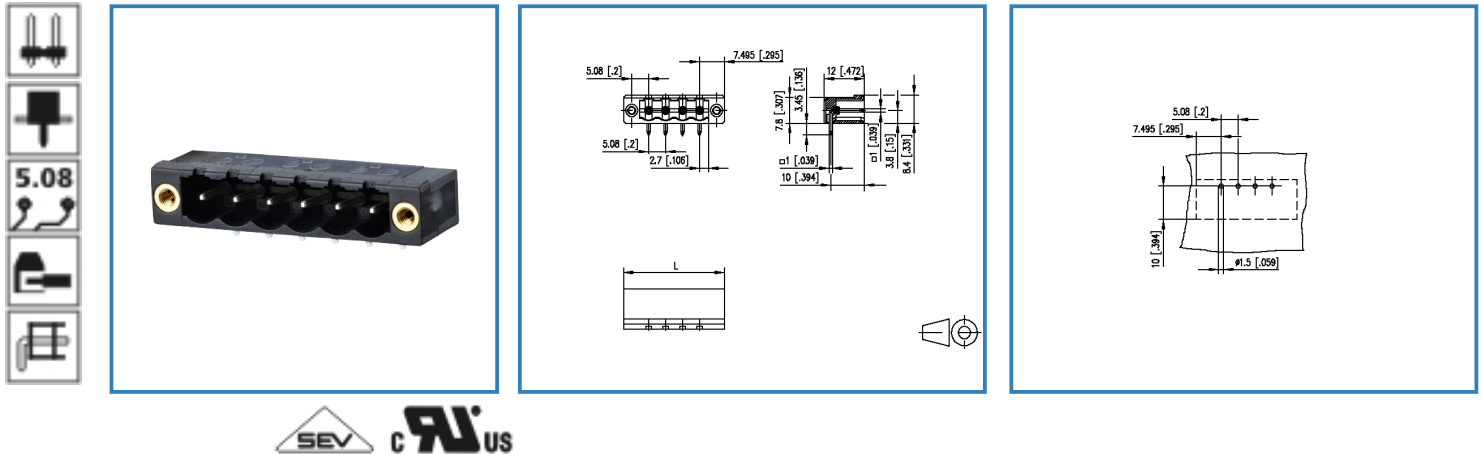
P/N

312361xx

xx=number of poles

2013/12/05

Illustration



see enlarged drawing at the end of the document

Product specification

- pin header, solderable
- centerline 5.08 mm, direction of connection 90°
- closed ends
- color black, mounting flange
- codeable
- Connection data

cRUUS V / A 300 / 15

SEV 13.5 A / 320 V / 4 kV / 3 / IEC 61984

Data Sheet



PT116xxHBBF

Technical Data

General Data

Solder pin length	3.45 mm		
min. number of poles	2		
max. number of poles	24		
Insulating material class	CTI 600		
clearance/creepage dist.	4.08 mm		
protection category	IP 00		
Overvoltage category	III	III	II
Pollution degree	3	2	2
Rated voltage	320 V	800 V	800 V
Rated test voltage	4 kV	4.0 kV	4 kV

Connection data

 V / A	300 / 15
	13.5 A / 320 V / 4 kV / 3 / IEC 61984

Material

insulating material	PA66
flammability class	V0
contact pin material	CuFe
contact pin surface	Ni + Ag

Climatic properties

upper limit temperature	105 °C
lower limit temperature	-40 °C

General

solderability	For THR products acc. to IPC/JEDEC J-STD-020D-MSL 1 For THT products max. 260 °C / 10 s
Tolerance	ISO 2768 -mH

Data Sheet

PT116xxHBBF

Page 3/5

P/N

312361xx

xx=number of poles

2013/12/05

Matching Part to

P/N	Product name
312171	RP036xxHBLF Typ 217
312181	RP036xxHBLS Typ 218
312511	RP016xxVBLF Typ 251
SP066XXVBNF	SP066xxVBNF
SP066XXVBPF	SP066xxVBPF

Accessories

P/N	Product name
700024-01-9	700024
700523-0157 (on request)	Geh_Kappe_swg_Block
700523-0257 (on request)	Geh_Kappe_swg_Block

Data Sheet

PT116xxHBBF

Page 4/5

P/N

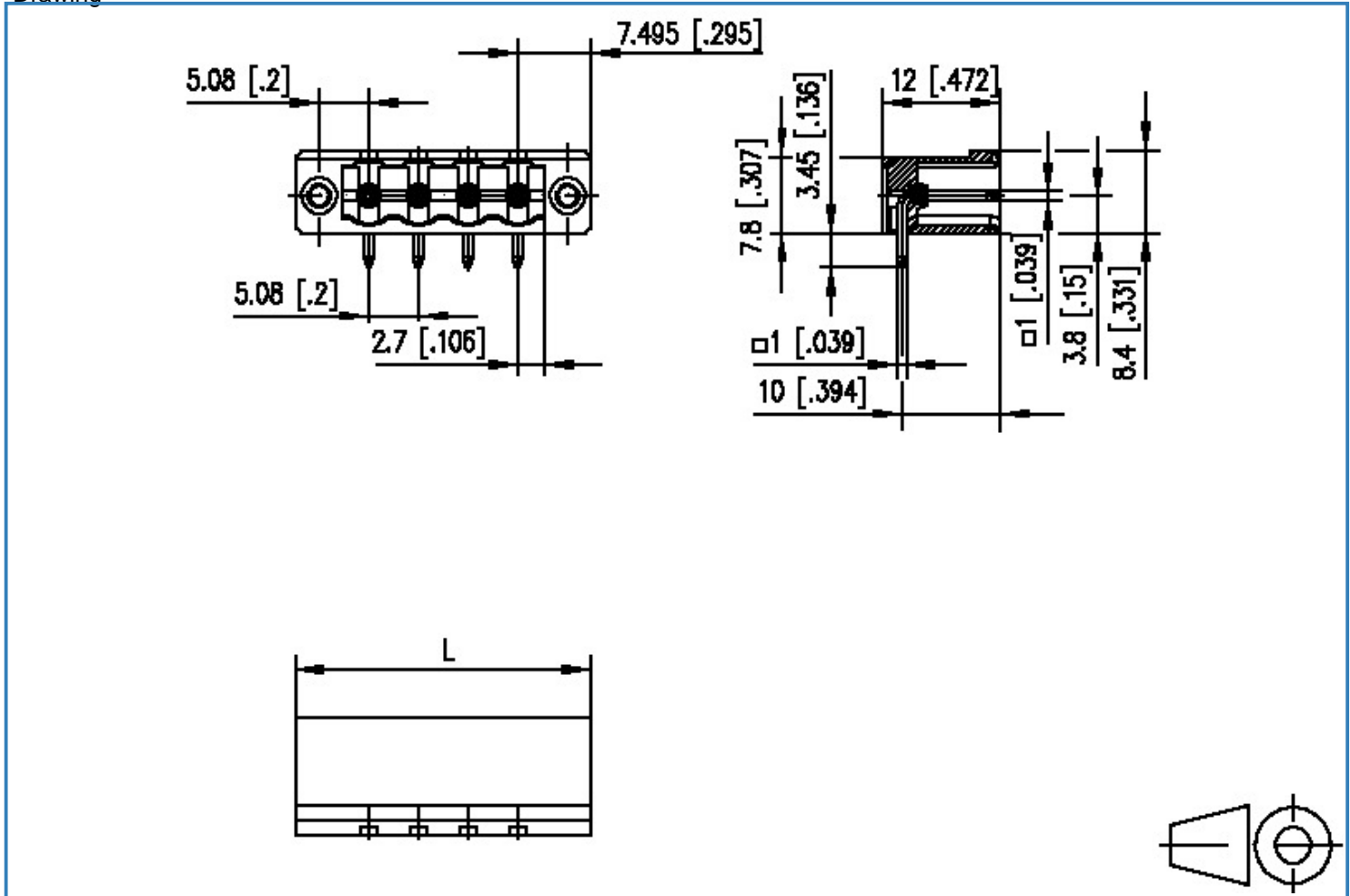
312361xx

xx=number of poles

2013/12/05

Illustration

Drawing



$$L = (\text{pole size} - 1) \times \text{centerline} + 14.99 [0.59]$$



Data Sheet

PT116xxHBBF

Page 5/5

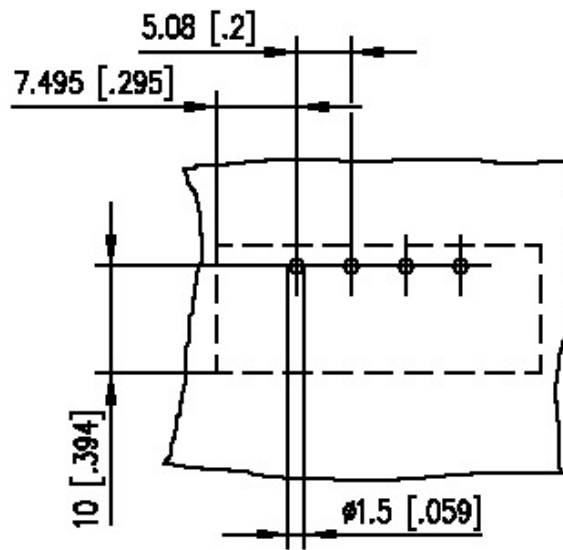
P/N

312361xx

xx=number of poles

2013/12/05

PCB Layout



X-ON Electronics

Largest Supplier of Electrical and Electronic Components

Click to view similar products for [metz manufacturer](#):

Other Similar products are found below :

[ASP0631006](#) [142M2X19020](#) [142M2X25005](#) [AST0820406](#) [1108861321](#) [1108311319](#) [1108501319](#) [11089313](#) [142M2X1C050](#) [841ER-1.17L](#)
[ASP0450401](#) [130920-E](#) [130924-E](#) [1108841319](#) [110304412004](#) [1108831326](#) [15024AD206-E](#) [150240C30310S](#) [1528SBGT19E](#)
[142M2X15010](#) [31189102](#) [11085813](#) [810-500](#) [31336104](#) [ASP0430922](#) [AST0450504](#) [AST1350604](#) [SP06502VBNF](#) [506](#) [142M1D11100](#)
[31072103](#) [810-15](#) [142M1D19020](#) [31251104](#) [31359104](#) [834B-375ML](#) [832WC-3L](#) [31009105](#) [31020205](#) [31024102](#) [31027103](#) [ASP0251204](#)
[130922-03-E](#) [150240C30610E](#) [11027605](#) [1108341319](#) [142M2X15030](#) [1401110012KE](#) [142M2X11010](#) [31059105](#)