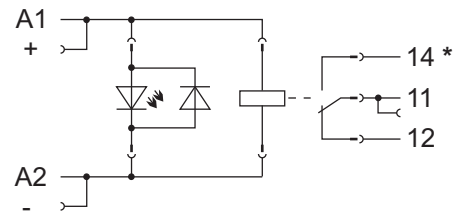


Relay Socket with Small Switching Relay

Socket with relay (1 changeover contact) and status indication

Data sheet



Description	Item-No.	Pack.-unit pcs																																																				
Socket with relay, DC 24 V, 1 changeover contact	788-304	1																																																				
<ul style="list-style-type: none"> • Relay socket for DIN 35 carrier rails. • Status indication through pluggable LED module (red). • Insulated, pluggable jumper system suitable for both coil and load side. • CAGE CLAMP® S connection. Solid wires, fine-stranded wires with crimped ferrules or ultrasonically bonded wire ends can be inserted directly. • Quick exchange of the relay and the status indication during maintenance, without having to detach the wiring. • Safe electrical isolation in accordance with DIN VDE 0140 Part 1. <p>DC-Load limiting value graph</p> <p>Note: Inductive loads have to be attenuated by an appropriate protective circuit in order to protect relay coils and contacts !</p>	<p>Technical Data</p> <table border="1"> <tr><td>Contact material</td><td>AgNi 90/10</td></tr> <tr><td>Input nominal voltage U_N</td><td>DC 24 V</td></tr> <tr><td>Input voltage range</td><td>$U_N \pm 10\%$</td></tr> <tr><td>Current input at U_N (20 °C)</td><td>19 mA</td></tr> <tr><td>Max. switching voltage</td><td>AC 250 V</td></tr> <tr><td>Max. making current (resistive)</td><td></td></tr> <tr><td>at 10 % continuous duty</td><td>4 s (AC) 30 A</td></tr> <tr><td>Max. continuous current</td><td>16 A (at 70°C continuous current 8 A, seperated)</td></tr> <tr><td>Max. switching power (resistive)</td><td>AC 4000 VA</td></tr> <tr><td>(resistive)</td><td>DC see load limiting value graph</td></tr> <tr><td>Max. number of switching operations with/without load</td><td>6 min⁻¹ / 1200 min⁻¹</td></tr> <tr><td>Operating power</td><td>400 mW_{typ.}</td></tr> <tr><td>Pull-in/dropout/bounce time_{typ.}</td><td>7 ms / 3 ms / 3 ms</td></tr> <tr><td>Operation at normal rating</td><td>100 % continuous duty</td></tr> <tr><td>Dielectric strength contact/coil</td><td>5 kV</td></tr> <tr><td>open contact</td><td>1 kV</td></tr> <tr><td>Nominal voltage acc. to VDE 0110 Part1 / 4.97</td><td></td></tr> <tr><td>IEC 60664-1</td><td>250 V / 4 kV / 3</td></tr> <tr><td>Mechanical life</td><td>30 x 10⁶ switching operations</td></tr> <tr><td>Degree of protection</td><td>IP 20</td></tr> <tr><td>Relay type</td><td>RT 1</td></tr> <tr><td>Ambient operating temperature</td><td>-25 °C ... +50 °C</td></tr> <tr><td></td><td>-25 °C ... +70 °C (at 8 A continuous current)</td></tr> <tr><td>Storage temperature</td><td>-40 °C ... +70 °C</td></tr> <tr><td>Dimensions (WxHxD)</td><td>(15x53**x86) mm / (0.59x2.09x3.39) in</td></tr> <tr><td></td><td>** from upper edge of DIN 35 rail</td></tr> </table> <p>The terminals 11-11, 12-12 and 14-14 are bridged only when the Relay is inserted into the socket.</p>	Contact material	AgNi 90/10	Input nominal voltage U_N	DC 24 V	Input voltage range	$U_N \pm 10\%$	Current input at U_N (20 °C)	19 mA	Max. switching voltage	AC 250 V	Max. making current (resistive)		at 10 % continuous duty	4 s (AC) 30 A	Max. continuous current	16 A (at 70°C continuous current 8 A, seperated)	Max. switching power (resistive)	AC 4000 VA	(resistive)	DC see load limiting value graph	Max. number of switching operations with/without load	6 min ⁻¹ / 1200 min ⁻¹	Operating power	400 mW _{typ.}	Pull-in/dropout/bounce time _{typ.}	7 ms / 3 ms / 3 ms	Operation at normal rating	100 % continuous duty	Dielectric strength contact/coil	5 kV	open contact	1 kV	Nominal voltage acc. to VDE 0110 Part1 / 4.97		IEC 60664-1	250 V / 4 kV / 3	Mechanical life	30 x 10 ⁶ switching operations	Degree of protection	IP 20	Relay type	RT 1	Ambient operating temperature	-25 °C ... +50 °C		-25 °C ... +70 °C (at 8 A continuous current)	Storage temperature	-40 °C ... +70 °C	Dimensions (WxHxD)	(15x53**x86) mm / (0.59x2.09x3.39) in		** from upper edge of DIN 35 rail	
Contact material	AgNi 90/10																																																					
Input nominal voltage U_N	DC 24 V																																																					
Input voltage range	$U_N \pm 10\%$																																																					
Current input at U_N (20 °C)	19 mA																																																					
Max. switching voltage	AC 250 V																																																					
Max. making current (resistive)																																																						
at 10 % continuous duty	4 s (AC) 30 A																																																					
Max. continuous current	16 A (at 70°C continuous current 8 A, seperated)																																																					
Max. switching power (resistive)	AC 4000 VA																																																					
(resistive)	DC see load limiting value graph																																																					
Max. number of switching operations with/without load	6 min ⁻¹ / 1200 min ⁻¹																																																					
Operating power	400 mW _{typ.}																																																					
Pull-in/dropout/bounce time _{typ.}	7 ms / 3 ms / 3 ms																																																					
Operation at normal rating	100 % continuous duty																																																					
Dielectric strength contact/coil	5 kV																																																					
open contact	1 kV																																																					
Nominal voltage acc. to VDE 0110 Part1 / 4.97																																																						
IEC 60664-1	250 V / 4 kV / 3																																																					
Mechanical life	30 x 10 ⁶ switching operations																																																					
Degree of protection	IP 20																																																					
Relay type	RT 1																																																					
Ambient operating temperature	-25 °C ... +50 °C																																																					
	-25 °C ... +70 °C (at 8 A continuous current)																																																					
Storage temperature	-40 °C ... +70 °C																																																					
Dimensions (WxHxD)	(15x53**x86) mm / (0.59x2.09x3.39) in																																																					
	** from upper edge of DIN 35 rail																																																					

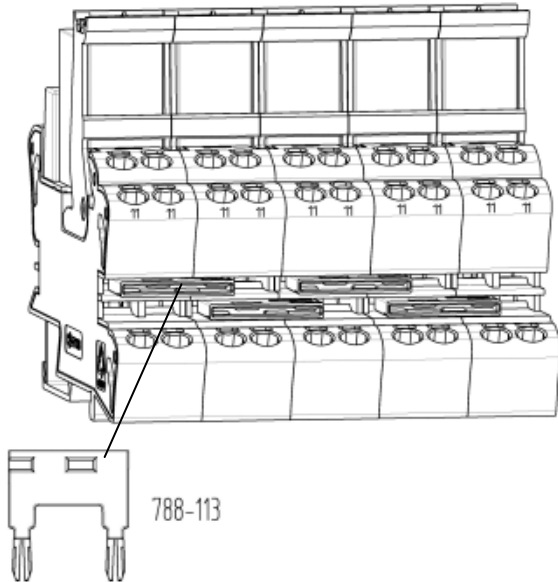
Relay Socket with Small Switching Relay

2/2

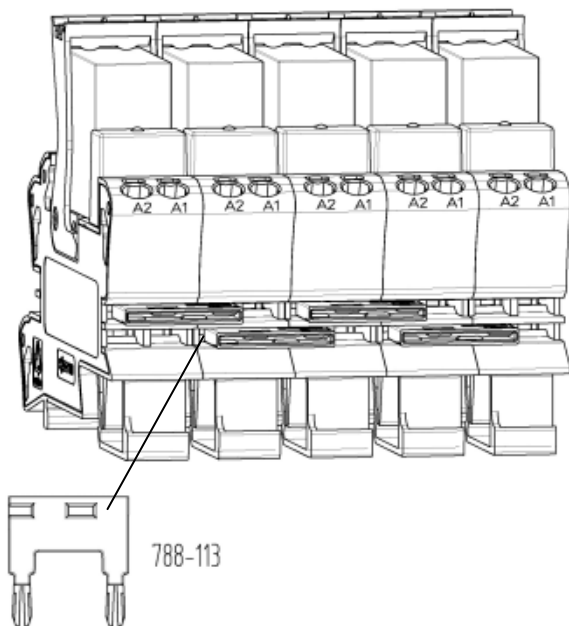
Socket with relay (1 changeover contact) and status indication

Data sheet

Commoning possibilities on the contact side:
-relay spanning contacts 11/11



Commoning possibilities on the coil side:
-contacts A2/A2



Wire connection	CAGE CLAMP® S 0,34-2,5 mm ² / AWG 22-12
Stripped length	9-10 mm / 0.37 in
Standards / prescriptions	DIN VDE 0140 Part1, DIN EN 61140 DIN VDE 0160, EN 50178 Class of protection II
Approvals	cUL _{US} UL508 / CSA22.2; 10 A E175199 Only use replacement relay 788-154 for UL applications (see accessories)
Accessories:	
Comb type jumper bar	
18 A, 2-way	788-113
18 A, 3-way	788-114
18 A, 4-way	788-115
18 A, 6-way	788-116
18 A, 8-way	788-117
18 A, 2-way	859-402
Operat. indication DC 12-24 V	788-120
Relay RT1, 1 CO	788-154
WMB Multi marking system	(General catalogue W3 Vol.1 Chapt.8)

X-ON Electronics

Largest Supplier of Electrical and Electronic Components

Click to view similar products for [General Purpose Relays](#) category:

Click to view products by [Wago](#) manufacturer:

Other Similar products are found below :

[APF30318](#) [JVN1AF-4.5V-F](#) [PCN-105D3MHZ](#) [5JO-10000S-SIL](#) [5JO-1000CD-SIL](#) [5JO-400CD-SIL](#) [LY2S-AC220/240](#) [LYQ20DC12](#)
[6031007G](#) [6131406HQ](#) [6-1393099-3](#) [6-1393099-8](#) [6-1393122-4](#) [6-1393123-2](#) [6-1393767-1](#) [6-1393843-7](#) [6-1415012-1](#) [6-1419102-2](#) [6-](#)
[1423698-4](#) [6-1608051-6](#) [6-1608067-0](#) [6-1616170-6](#) [6-1616248-2](#) [6-1616282-3](#) [6-1616348-2](#) [6-1616350-1](#) [6-1616350-8](#) [6-1616358-7](#) [6-](#)
[1616359-9](#) [6-1616360-9](#) [6-1616931-6](#) [6-1617039-1](#) [6-1617052-1](#) [6-1617090-2](#) [6-1617090-5](#) [6-1617347-5](#) [6-1617353-3](#) [6-1617801-8](#) [6-](#)
[1617802-2](#) [6-1618107-9](#) [6-1618248-4](#) [M83536/1-027M](#) [CX-4014](#) [MAHC-5494](#) [MAVCD-5419-6](#) [703XCX-120A](#) [7-1393100-5](#) [7-1393111-7](#)
[7-1393144-5](#) [7-1393767-8](#)