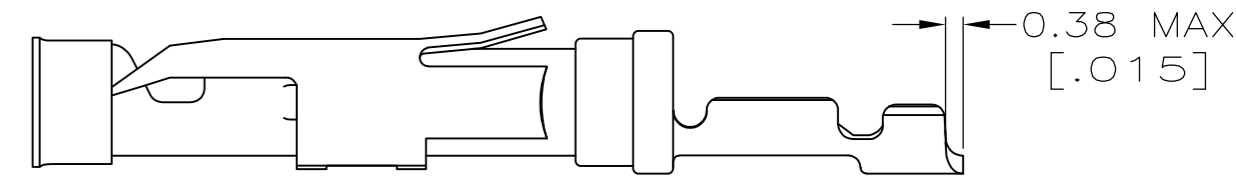
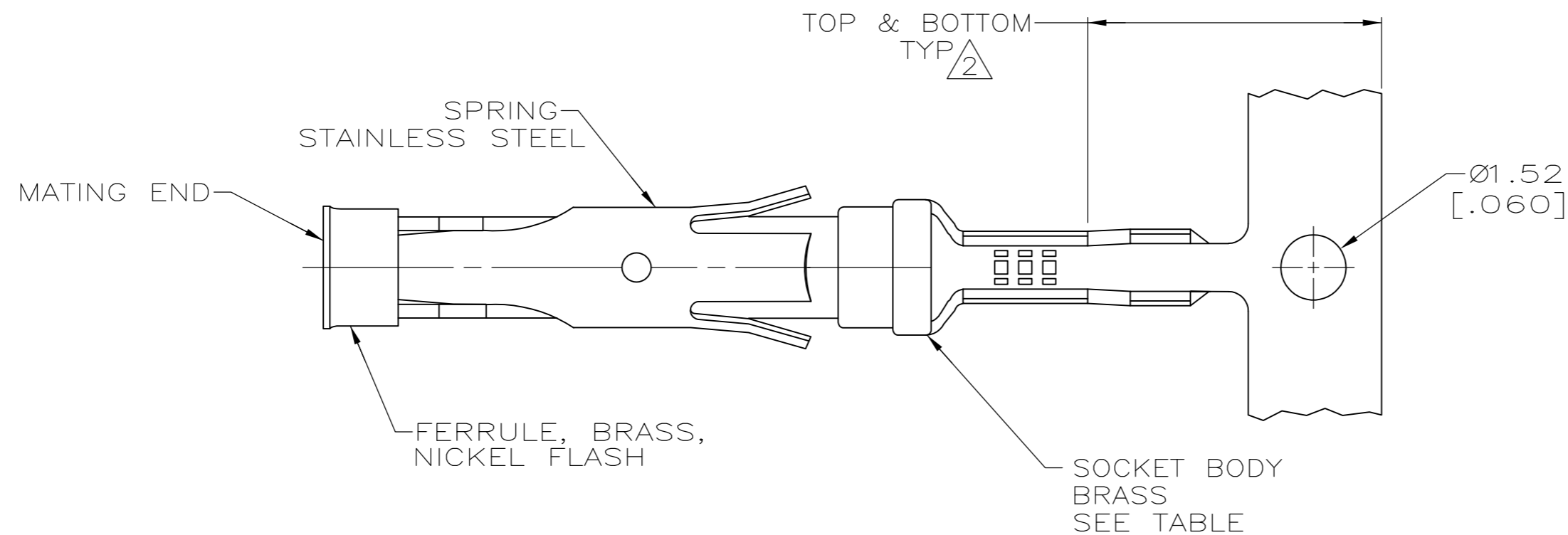
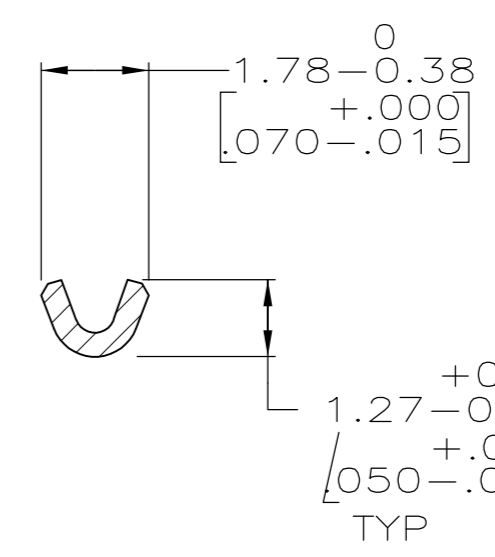
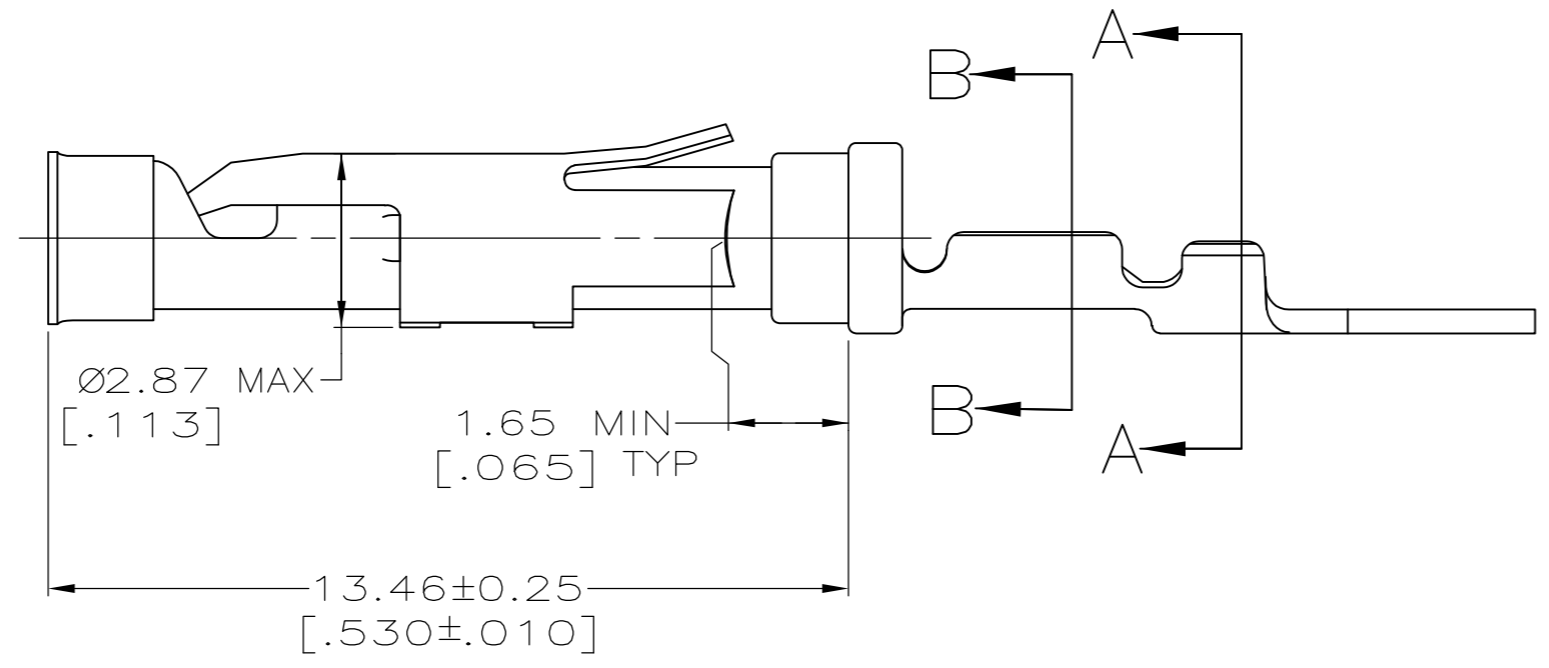
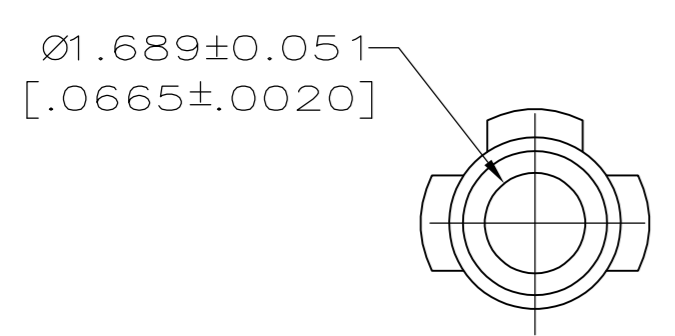


THIS DRAWING IS UNPUBLISHED. RELEASED FOR PUBLICATION
 © COPYRIGHT - By - ALL RIGHTS RESERVED.

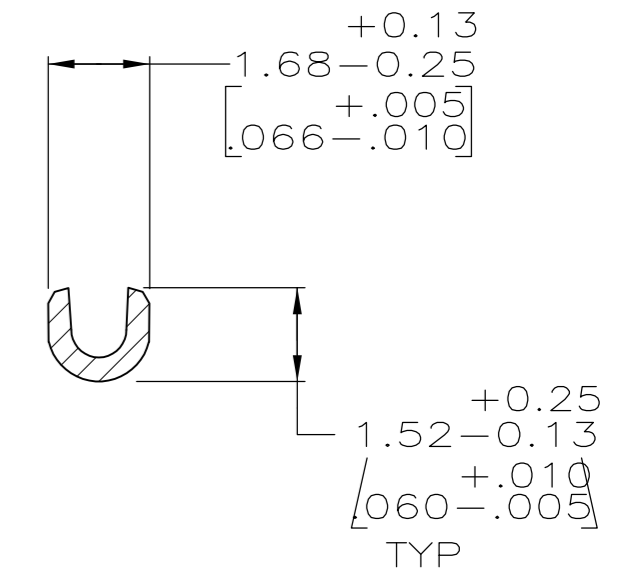
LOC	DIST	REVISIONS			
P	LTR	DESCRIPTION	DATE	DWN	APVD
FT	47	C	REVISED PER ECO-12-012320	04JUL12	KH MZ



DETAIL F
SCALE 6:1



SECTION B-B



SECTION A-A

- $\triangle 1$ 0.76 μm [.000030] MIN GOLD PER MIL-G-45204 ON MATING END FOR A LENGTH OF 5.08 [.200] MIN WITH 1.27 μm [.000050] MIN MATTE TIN PLATE IN WIRE CRIMP AREA, BOTH OVER 0.76 μm [.000030] MIN NICKEL PER QQ-N-290.
- $\triangle 2$ GOLD PLATING NEED NOT APPEAR IN THIS AREA .
- 3. REELED FOR MINI-APPLICATOR.
- 4. WIRE RANGE 28-30 AWG.
- INSULATION RANGE 3.81 [.015]-7.62 [.030] DIA.
- $\triangle 5$ 0.38 μm [.000015] MIN GOLD PER MIL-G-45204 ON MATING END FOR A LENGTH OF 5.08 [.200] MIN WITH 1.27 μm [.000050] MIN MATTE TIN PLATE IN WIRE CRIMP AREA, BOTH OVER 0.76 μm [.000030] MIN NICKEL PER QQ-N-290.

PER DETAIL F		
	$\triangle 1$	788088-3
	$\triangle 5$	788088-2
	$\triangle 1$	788088-1
LOOSE PIECE	FINISH SOCKET BODY	PART NUMBER

THIS DRAWING IS A CONTROLLED DOCUMENT.		DWN 21 NOV 96 C.OBERMAN	TE TE Connectivity	
DIMENSIONS: mm [INCHES]		CHK 22 NOV 96 R.STONE		
TOLERANCES UNLESS OTHERWISE SPECIFIED:		APVD 22 NOV 96 G.STEINHAUER	NAME	
0 PLC \pm -		PRODUCT SPEC	SOCKET ASSEMBLY, .062, TYPE III+	
1 PLC \pm -		APPLICATION SPEC	SIZE	CAGE CODE
2 PLC \pm 0.13 [.005]		108-10042	A2	00779
3 PLC \pm -		114-10004	DRAWING NO	RESTRICTED TO
4 PLC \pm -		WEIGHT -	C=788088	-
ANGLES \pm -		MATERIAL SEE CALLOUTS	SCALE 8:1	SHEET 1 of 1
FINISH SEE CALLOUTS		CUSTOMER DRAWING	REV C	

X-ON Electronics

Largest Supplier of Electrical and Electronic Components

Click to view similar products for [Pin & Socket Connectors](#) category:

Click to view products by [TE Connectivity](#) manufacturer:

Other Similar products are found below :

[6450822-1](#) [770392-1](#) [794042-1](#) [796885-1](#) [8-794535-1](#) [881459-2](#) [R929993003](#) [1-350779-3](#) [1403611-1](#) [1-480349-5](#) [152302-5](#) [1586092-1](#)
[1586129-1](#) [1586487-1](#) [1586681-4](#) [1586700-1](#) [1586065-1](#) [1586077-1](#) [1586368-1](#) [1586380-1](#) [1586616-1](#) [1586680-5](#) [1586681-2](#) [1604996-1](#)
[16-06-0038](#) [164164-5](#) [1-6609930-1](#) [172296-1](#) [1-794714-6](#) [19-09-2035](#) [1969804-1](#) [200503-1](#) [200788-2](#) [201046-7](#) [202648-4](#) [2029076-2](#)
[2029090-4](#) [2029095-4](#) [2-66102-6](#) [925061-7](#) [926681-1](#) [293734-4](#) [293737-2](#) [1-765362-4](#) [1-794606-3](#) [1871534-1](#) [1969795-1](#) [1969798-1](#)
[1969800-1](#) [200833-4](#)