

Data Sheet

PR033xxVBHC

Page 1/5

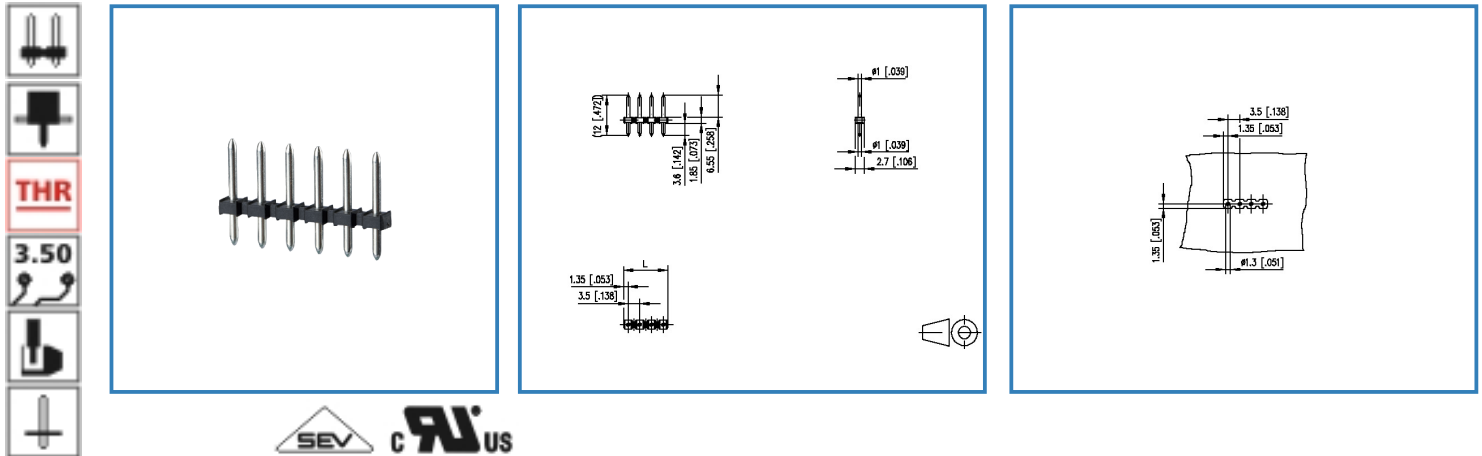
P/N

312241xx

xx=number of poles

2013/12/05

Illustration



see enlarged drawing at the end of the document

Product specification

- pin header, THR solderable
- centerline 3.50 mm, direction of connection vertical 0°
- fittable without loss of poles
- color black
- Tape & Reel packaging
- Connection data

cRUUS V / A 300 / 15

SEV 6 A / 200 V / 2.5 kV / 3 / IEC 61984



Data Sheet

PR033xxVBHC

Page 2/5

P/N

312241xx

xx=number of poles



2013/12/05

Technical Data

General Data

Solder pin length	3.6 mm		
min. number of poles	2		
max. number of poles	24		
Insulating material class	CTI 600		
clearance/creepage dist.	2.5 mm		
protection category	IP 00		
Overvoltage category	III	III	II
Pollution degree	3	2	2
Rated voltage	200 V	500 V	500 V
Rated test voltage	2.5 kV	2.5 kV	2.5 kV

Connection data

 V / A	300 / 15		
	6 A / 200 V / 2.5 kV / 3 / IEC 61984		

Material

insulating material	PA46
flammability class	V0
contact pin material	CuZn
contact pin surface	Ni + Ag

Climatic properties

upper limit temperature	105 °C
lower limit temperature	-40 °C

General

solderability	For THR products acc. to IPC/JEDEC J-STD-020D-MSL 1 For THT products max. 260 °C / 10 s
Tolerance	ISO 2768 -mH

Data Sheet

PR033xxVBHC

Page 3/5

P/N

312241xx

xx=number of poles

2013/12/05

Matching Part to

P/N

Product name

311661

RP023xxHBWC Typ 166



METZ CONNECT GmbH

Im Tal 2 | 78176 Blumberg | Germany | www.metz-connect.com

Phone +49 7702 533-0 | Fax +49 7702 533-433

Montageanleitung / Mounting instruction siehe / see www.metz-connect.com

Members of METZ CONNECT



Data Sheet

PR033xxVBHC

Page 4/5

P/N

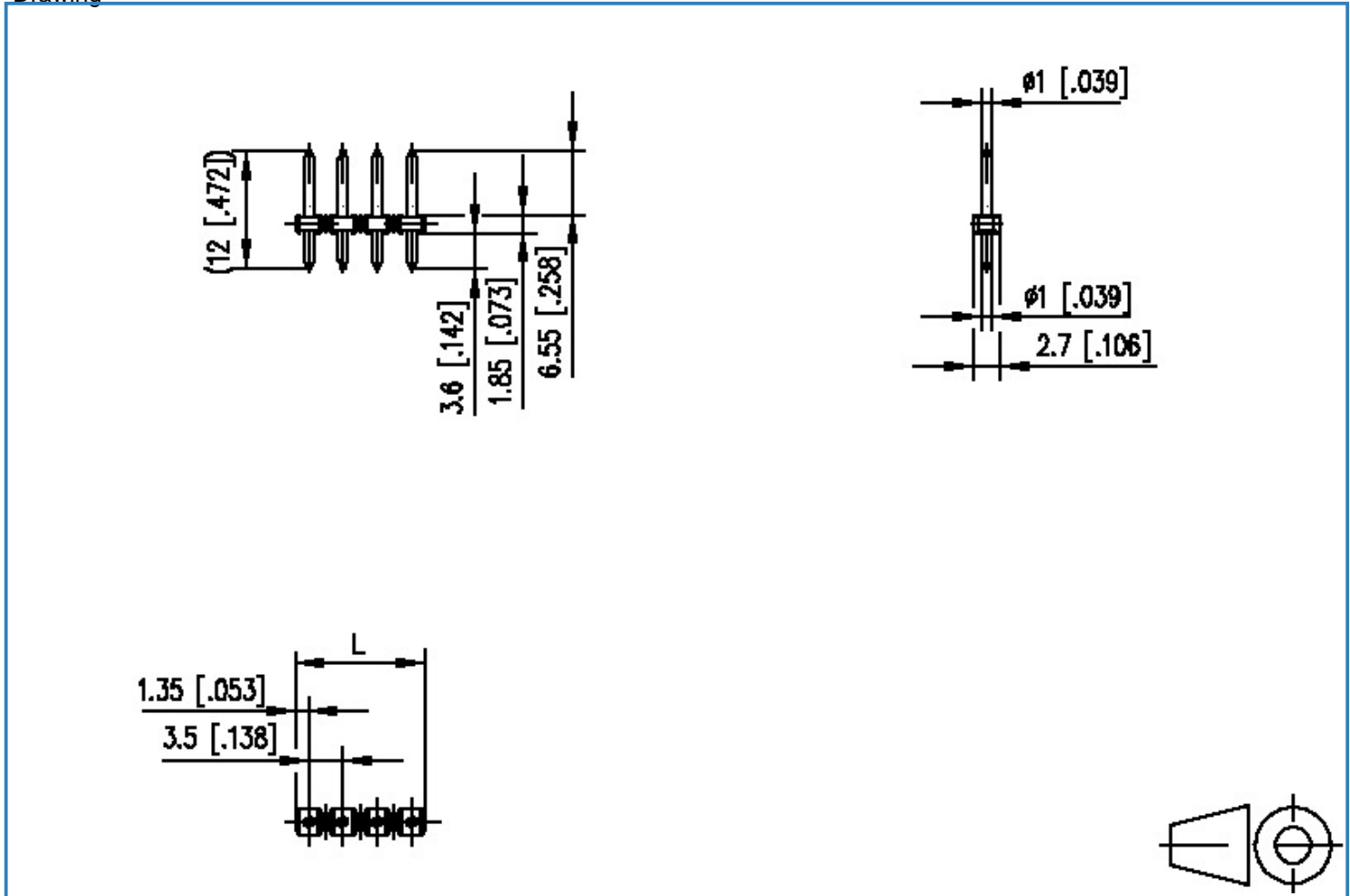
312241xx

xx=number of poles

2013/12/05

Illustration

Drawing



$L = (\text{pole size} - 1) \times \text{centerline} + 2.7 [0.106]$



Data Sheet

PR033xxVBHC

Page 5/5

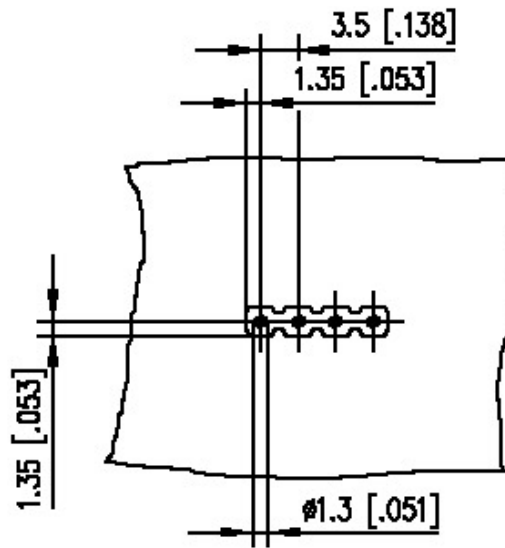
P/N

312241xx

xx=number of poles

2013/12/05

PCB Layout



X-ON Electronics

Largest Supplier of Electrical and Electronic Components

Click to view similar products for [Metz manufacturer](#):

Other Similar products are found below :

[142M4D95050](#) [ASP0631006](#) [4898-454G](#) [4895-454G](#) [4887-454G](#) [4897-454G](#) [ASP0460622](#) [142M2X25005](#) [ASP0440222](#) [1108861321](#)
[1108311319](#) [1108501319](#) [11089313](#) [834HTC-900ML](#) [130920-E](#) [150240C30610E](#) [110304412004](#) [1108831326](#) [150240C30310S](#) [135015-](#)
[SSC-E](#) [1528SBGT19E](#) [1401110012KE](#) [142M2X15010](#) [11085813](#) [810-500](#) [810-50](#) [31336104](#) [ASP0430922](#) [SP06502VBNF](#) [31217103](#)
[142M1D19020](#) [SR99S01VBNN0001](#) [31213102](#) [31251104](#) [AST0820406](#) [1108811319](#) [142M2XB5050](#) [834B-375ML](#) [841ER-1.17L](#)
[31009105](#) [31020205](#) [31024102](#) [31027103](#) [31383106](#) [130922-03-E](#) [130924-E](#) [11027605](#) [1108841319](#) [1108341319](#) [15024AD206-E](#)