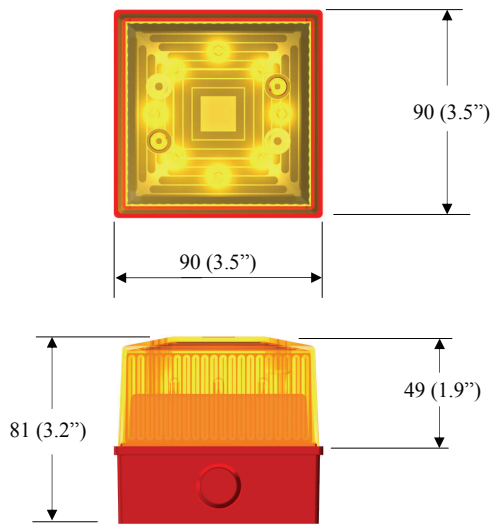


MAIN FEATURES

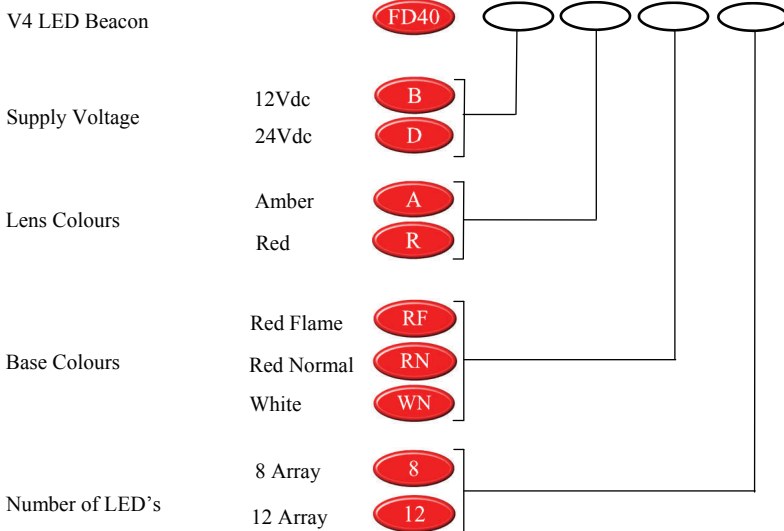
- Continuously rated
- High flash intensity
- 8 or 12 LED Array
- Long Life LED design
- 360 degree visibility
- Reliable and simple to install
- Flush mounting base available
- Red / White flame retardant ABS plastic enclosure
- Lens colours, Red and Amber made from flame retardant polycarbonate
- Additional Lens colours Clear, Opal, Blue, Yellow and Green are available upon request
- Can be used in conjunction with other sounders to form audible visual warning devices
- Steady version available upon request.

DIMENSIONS mm



All dimensions quoted are approximate only and subject to change without notice as are technical features resulting from continual development and improvement.

CONFIGURATOR



TECHNICAL SPECIFICATION

- Operating temperature range -25 to +40 deg C
- Storage temperature range -40 to +70 deg C
- Relative humidity 90% @ 40 deg C
- IP65 Rated
- Weight: 0.15Kg
- Operating voltage 12Vdc/24Vdc
- Current consumption typically 30 mA
- Flash rate 1 per second

MOUNTING

All units are supplied separate from the back box for ease of installation. The back box must be mounted with the two cable entries at the top or bottom. The back box should be mounted to a reasonably flat surface or to a standard wiring box using any of the internal mounting holes. A gasket is supplied, should the surface be uneven, or if the unit is to be used in wet conditions. The installation is completed by fitting the beacon onto the back box by means of the supplied screws.

LINE MONITORING

Monitoring via reverse polarity
End of line resistor minimum 3K3 ohms 0.5 watts wire-wound or metal film type

ORDERING INFORMATION

Base Colours:
RF = Red flame
RN = Red normal
WN = White

X-ON Electronics

Largest Supplier of Electrical and Electronic Components

Click to view similar products for [clifford](#) and [snell](#) manufacturer:

Other Similar products are found below :

[YA50/L/RF/WR](#) [YL50/L50/A/RF/WR](#) [YA80/D/RF/SU/WR](#) [FL40/N50/R/RN](#) [YL40/D50/R/RN/WR](#) [YL40/D50/A/RN/WR](#)

[YL50/N50/R/RF/WR](#) [YA50/N/RF/WR](#) [YA30/D/RF/WR](#) [YL50/D50/A/RF/WR](#) [YA50/D/RF/WR](#) [YL50/L50/R/RF/WR](#) [YL50/D50/R/RF/WR](#)