

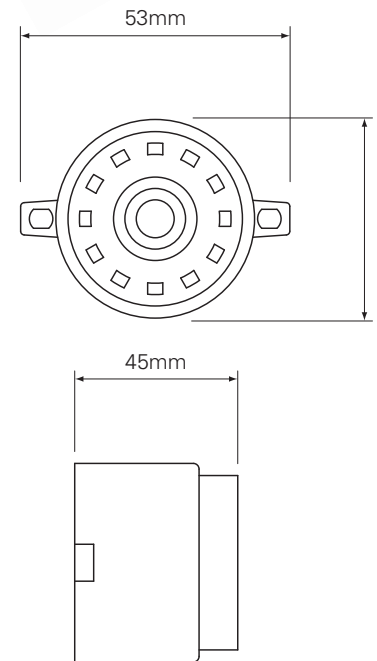
Askari Flange - Process Sounder

The small size of the Askari flange allows it to be surface mounted in almost any location, either within or external to equipment housings. The high IP rating allows it to be used in most environments.



Technical Specification

Voltage Range	9 - 28Vdc
Current	18mA (Typical Tone 3)
Sound Output	92dB(A) (Typical Tone 3)
Tones	32
Alarm Stages	2
Temperature	- 25°C to + 70°C
Protection	IP65
Construction	ABS
Weight	0.9Kg
Colour	Red or white



Features

- Small size
- Flange type fixing
- 9Vdc to 28Vdc
- IP65 protection

Benefits

- Easily fitted within or on control cabinets
- Can be fitted easily to most surfaces
- Accepts most common DC supplies
- Can be used in Exposed locations

Reference

AF/R/S/VC

Catalogue No.

570033FULL-0058

Description

Askari Flange Mounting Sounder, Red, Tone Select Switch, Volume Control

AF/W/S/VC

570011FULL-0054

Askari Flange Mounting Sounder, White, Tone Select Switch, Volume Control

X-ON Electronics

Largest Supplier of Electrical and Electronic Components

Click to view similar products for [fulleon](#) manufacturer:

Other Similar products are found below :

[SYHO/R](#) [1320-24](#) [ROLP/R/MAINS BASE](#) [FL/AL/W/S](#) [ROLP/SV/W/D](#) [CFB6D24](#) [FL/SV/AL/W/D](#) [531036FULL-0073](#) [FL/SV/RL/R/D](#)
[666156FULL-1101X](#) [ROLP/SV/R/S](#) [AP/W/SWITCHED/VC](#)