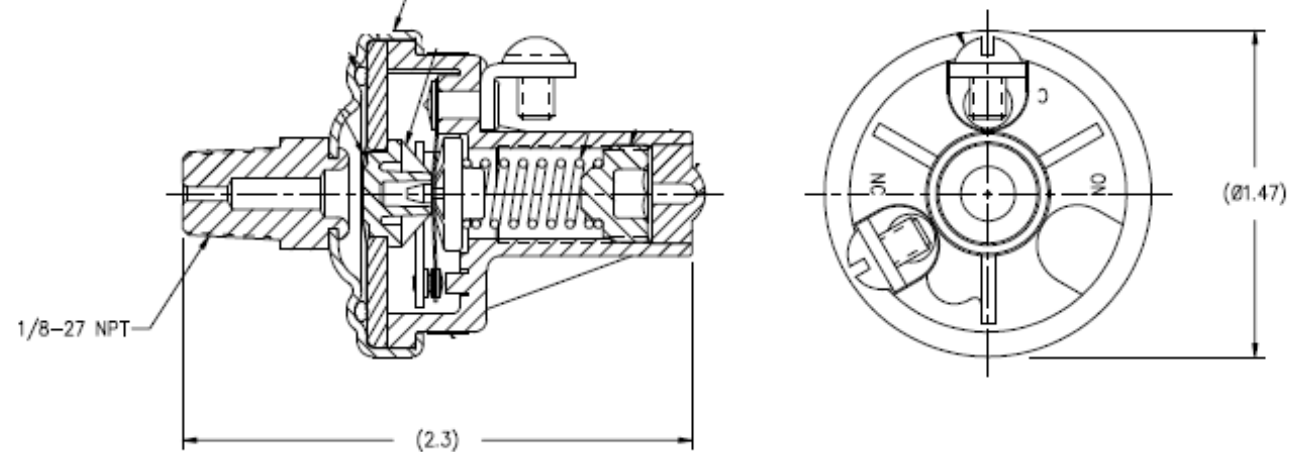


FD-55111-C

HONEYWELL PART NUMBER
78303

REV	DOCUMENT	CHANGED BY	CHECK	
C	0070272	SBH	12OCT10	CMH

USING 3/32 HIGH CHARACTERS, MARK WITH HONEYWELL
PART NO., PRESSURE SETTING, DATE CODE AND
ELECTRICAL RATING AS FOLLOWS:
78303-X XXX 3 AMP-6V 1.5 AMP-12V



SM. TO: 78063, M-4266

NOTES:

1. SINGLE CIRCUIT NORMALLY CLOSED PRESSURE SWITCH.
2. OPENING RANGE $25-50 \pm 4$ PSI.
3. SEE SPEC. 99005 FOR MANUFACTURING SPEC.

DESIGN UNITS: INCH	DRAWN	MRH	20MAR92	Honeywell				
TOLERANCES UNLESS NOTED:	CHECK	-	-					
NO PLACES X ± -	THIS DRAWING COVERS A PROPRIETARY ITEM AND IS THE PROPERTY OF HONEYWELL. THIS DRAWING IS NOT TO BE COPIED OR USED WITHOUT THE PERMISSION OF HONEYWELL.			TITLE			78303	
ONE PLACE .X ± .020				PRESSURE SWITCH N.C.			REV	C
TWO PLACE .XX ± .010				SCREW TERMINALS			SIZE	B
THREE PLACE .XXX ± .005				UL 5000 SERIES SWITCH			TYPE	E
ANGLES X ± 0° 30'	INTERPRET PER ASME Y14.5M-1994 OTHER HONEYWELL ENGINEERING STANDARDS MAY APPLY			CAGE CODE	-	DRAWING NAME	78303	
THIRD ANGLE PROJECTION	AUTOCAD 2D			SCALE	2:1	SHEET	1 OF 1	



X-ON Electronics

Largest Supplier of Electrical and Electronic Components

Click to view similar products for [Industrial Pressure Sensors](#) category:

Click to view products by [Honeywell](#) manufacturer:

Other Similar products are found below :

[76053-00000400-01](#) [M83723/72R2041N L/C](#) [M83723/76R2219N](#) [D38999/20ME6BN](#) [75380-05](#) [76053-00000300-01](#) [76053-00000300-05](#)
[76061-00000015-01](#) [76062-B00000350-01](#) [76063-00000350-05](#) [76083-05000500-01](#) [76311-05](#) [76577-00000070-01](#) [76584-M00000100-24](#)
[77050-04000400-01](#) [77343-24.0H2-01](#) [77343-25.0H2-01](#) [78291-B00000060-01](#) [78303-B00000400-01](#) [78303-B00000400-05](#) [78316-](#)
[B00000030-01](#) [78665-00000014-05](#) [78678-00000040-01](#) [78928-00000040-01](#) [79279-00000060-01](#) [79296-B00000350-01](#) [79322-00250035-01](#)
[79614-30.0H2-14](#) [79670-00000090-15](#) [79700-00002750-01](#) [79917-B00000280-01](#) [80569-00700100-01](#) [81509081](#) [MLH010BST01A](#)
[MLH010BST14A](#) [MLH025BGC13B](#) [MLH750PSCDJ1245](#) [83250-02500600-05](#) [83271-00000040-04](#) [83278-B00000200-21](#) [83282-00000100-](#)
[05](#) [83286-00000150-01](#) [83298-00000120-01](#) [83299-00000150-05](#) [83303-00000600-01](#) [83305-00001350-01](#) [83330-00000100-01](#) [83350-](#)
[04.0HG-05](#) [83350-15.0H2-05](#) [83357-00000030-21](#)