

Thank you very much for selecting Autonics products.
For your safety, please read the following before using.

Caution for your safety

- ※ Please keep these instructions and review them before using this unit.
- ※ Please observe the cautions that follow.
- Warning** Serious injury may result if instructions are not followed.
- Caution** Product may be damaged, or injury may result if instructions are not followed.
- ※ The following is an explanation of the symbols used in the operation manual.
- △ Caution: Injury or danger may occur under special conditions.

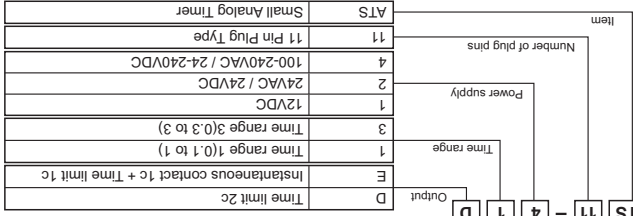
Warning

- In case of using this unit with machinery (e.g. nuclear power control, medical equipment, ship, vehicle, train, airplane, combustion apparatus, safety device, crime/dissaster prevention equipment, etc) which may cause damages to human life or property, it is required to install fail-safe device.
- Install the unit on a panel.
- Do not connect, inspect or repair this unit when power is on.
- Do not disassemble the case. Please contact us if it is required.

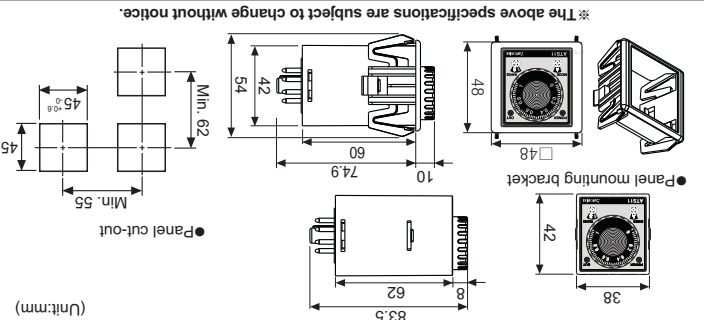
Caution

- This unit shall not be used outdoors.
- It might shorten the life cycle of the product or cause electric shock.
- Please observe the rated specifications.
- Do not use beyond of the rated switching capacity of Relay contact.
- It may cause insulation failure, contact melt, contact failure, relay broken and fire etc.
- In cleaning unit, do not use water or an organic solvents. And use dry towels.
- Do not use this unit in place where there are flammable or explosive gas, humidity, direct ray of the light, radiant heat, vibration and impact, etc.
- Do not inlow dust or wire drags into the unit.
- It may cause a fire or an explosion.
- Do not inlow dust or wire drags into the unit.
- It may cause a fire or a malfunction.

Ordering information

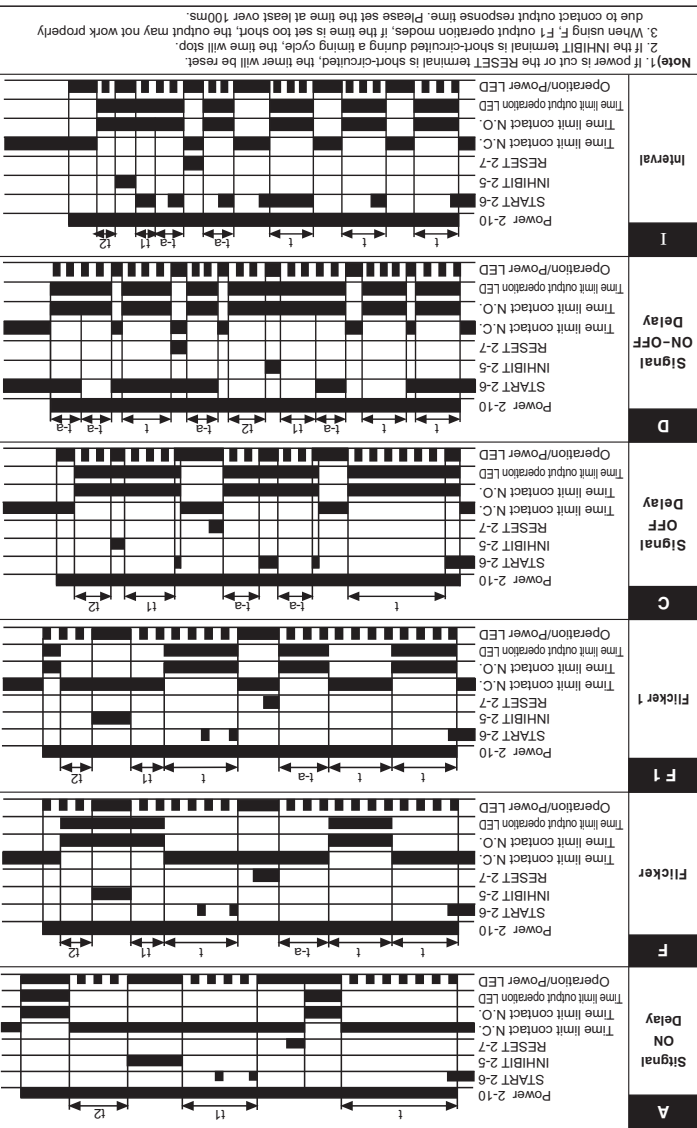


Dimensions



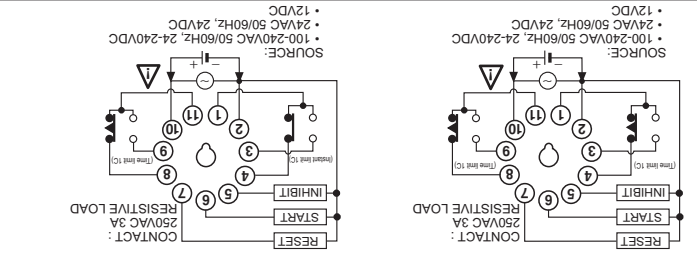
※ The above specifications are subject to change without notice.

Mode



Time chart [t : Setting time, t1=t12, t2=t-a]

Connections

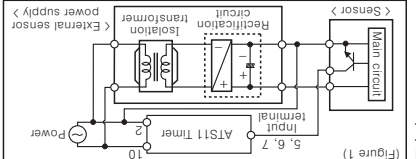


Specifications

Model	ATS11-1D	ATS11-3D	ATS11-1E	ATS11-3E
Control time setting range	0.1sec to 10hour	0.3sec to 30hour	0.1sec to 10hour	0.3sec to 30hour
Power supply	100-240VAC 50/60Hz, 24-240VDC (Universal), 24VAC (Universal) • 12VDC			
Allowable voltage range	90 to 110% of rated voltage			
Power consumption	24VAC : 4VA, 24VDC : 1.5W • 100-240VAC : 3.5VA, 24-240VDC : 1.5W • 100-240VAC : 4.5VA, 24VDC : 2W • 12VDC : 1.5W			
Return time	Max. 100ms			
Min. input signal	START : Min. 50ms			
Input	START, INHIBIT, RESET, INHIBIT, RESET, INHIBIT			
Control	Type : Time limit DPDT(2c) Time limit SPDT(1c), instantaneous SPDT(1c) Capacity : 250VAC 3A resistive load Mechanical life cycle : Min. 10,000,000 times Electrical life cycle : Min. 100,000 times(250VAC 3A resistive load)			
Repeat error	Max. ± 0.2% ± 10ms			
Setting error	Max. ± 5% ± 50ms			
Voltage error	Max. ± 0.5%			
Temperature error	Max. ± 2%			
Insulation resistance	100MΩ (at 500VDC megger)			
Dielectric strength	2000VAC 50/60Hz for 1 minute			
Ambient temperature	-10 to 55°C(at non-freezing status)			
Storage temperature	-25 to 65°C(at non-freezing status)			
Ambient humidity	35 to 85%RH			
Approval	CE, RoHS			
Unit weight	Approx. 72g			

※ Environment resistance is rated at no freezing or condensation.

Caution for using



- Power circuit for ATS 11 Timer is designed without using a transformer. For the power of sensor, therefore, use isolation transformer which is not grounded on secondary side in order to cut off the unnecessary current flow as shown in Figure 1.
- Please use the terminal ② as the common terminal as shown in Figure 3. If use the terminal ③ as common terminal as shown in Figure 2, it might cause damage to inner circuit of ATS11 Timer.
- Please connect DC power input after checking polarity of power.
- In case of 12VDC/24VAC/24VDC model, isolated and limited voltage/current or Class 2 sources should be provided for power supply.
- When applying the power to the timer, please apply the rated power at the moment, by switch, relay, etc.
- Otherwise it might cause malfunction.
- When supplying the power to the timer, connection as shown in Figure 4.
- It might cause malfunction due to leakage current though resistance (R) and condenser (C) as shown in Figure 5.
- In order to prevent malfunction as shown in Figure 5, START, INHIBIT, short-circuit the terminal no. ② - ⑤ or ② - ⑦. It may cause internal circuit damage by wrong connections.
- Do not use the START, INHIBIT signal input line with power line in parallel.
- It might cause malfunction if change the setting time, time range or operation mode during unit operating.
- Please change the setting time, time range or operation mode after cut the power off.
- Do not use this unit at below places.
 - Place where there are severe vibration or impact.
 - Place where strong magnetic field or electric noise are generated.
 - Place where there are direct ray of the sun.
 - Place where strong alkalis or acids are used.

Major products

- Photoelectric sensors
- Fiber optic sensors
- Pressure sensors
- Timers
- Panel meters
- Display units
- Sensor controllers
- Graphic/Logic panels

Autonics Corporation
 Satisfiable Partner For Factory Automation
 http://www.autonics.com
 and development : product@autonics.com
 TEL: 82-52-610-2730 / FAX: 82-52-329-0728
 11-5, Gyeongdong-dong, Yongsan-gu, Gyeonggi-do, 420-734, Korea
 41-5, Gyeongdong-dong, Yongsan-gu, Gyeonggi-do, 426-647, Korea

X-ON Electronics

Largest Supplier of Electrical and Electronic Components

Click to view similar products for [autonics manufacturer](#):

Other Similar products are found below :

[E50S8-1000-3-T-24](#) [BC15-LDT-C](#) [BH4M-PDT](#) [BJ100-DDT-P](#) [BJ10M-TDT-C-P](#) [BJ15M-TDT-C-P](#) [BJ15M-TDT-P](#) [BJ1M-DDT-C-P](#) [BJ3M-PDT-P](#) [BJN100-NDT-P](#) [BL13-TDT-P](#) [BR200-DDTN-C-P](#) [BR200-DDTN-P](#) [BTF30-DDTD-P](#) [BUP-30-P](#) [LP-S070-T9D6-C5T](#) [PRDCML18-7DP](#) [PRFT30-10DO-V](#) [PRFWT12-2DO-IV](#) [PRFWT30-10DO-IV](#) [TC4H-14R](#) [TCN4S-22R](#) [TCN4S-24R-P](#) [TK4S-14SR](#) [BC15-LDT-C-P](#) [BEN5M-MFR](#) [BH1M-DDT](#) [BH20M-TDT](#) [BJ10M-TDT-P](#) [BTS30-LDTL-P](#) [BX700-DFR-T](#) [E40S6-3600-3-T-24](#) [PR08-1.5DP](#) [PR08-2DP](#) [TC4S-12R](#) [TMHA-42AE](#) [TMHE-82RE](#) [ASL-L01SP1-PY](#) [ASL-L04SP0-UY](#) [BFX-D1-N](#) [BFX-D1-P](#) [BJP100-BDT](#) [BJP100-BDT-P](#) [BJR100-DDT-C-P-F](#) [BJR100-DDT-P-F](#) [BJR10M-TDT-C-P-F](#) [BJR15M-TDT-C-P-F](#) [BJR15M-TDT-P-F](#) [BJR1M-DDT-C-P-F](#) [BJR3M-PDT-C-P-F](#)