

KM6-II Subracks: PCB Mounting brackets

To ensure complete versatility, all card mounting brackets are supplied in a kit separate to the aluminium front panel. The brackets are available in various forms to suit different applications.

Contents of kits

Description	Qty.	Material
Normal bracket	10	Luranyl ϕ 2452/1, green or die cast zinc
Wire wrap bracket	10	Luranyl ϕ 2452/1, black
VME bracket	10	Luranyl ϕ 2452/1, black
Speedwire bracket	10	Aluminium extrusion

NORMAL PCB MOUNTING BRACKETS

The normal PCB mounting brackets are for use where front panels are mounted into IEC/DIN subracks and caseframes that require the conventional 2,54mm gap between the rear of the front panel and the PCB.

Available in two versions; moulded in Noryl or zinc die-cast. The die cast version is now tapped in both axes, making assembly easier and quicker.

Ordering information

Description	Order code
10 brackets (plastic) and fixings	173-232669L
10 brackets (metal) and fixings	173-253258D

WIREWAP PCB MOUNTING BRACKETS

The wire wrap PCB brackets are for use where the card has to be off-set to take account of the length of the wire wrap spills on the printed circuit board. The 2,54mm spacer can be removed for use with cassette modules.

Ordering information

Description	Order code
10 brackets and fixings	173-232670D

VME PCB MOUNTING BRACKETS

It is possible to use two types of PCB mounting bracket with VME PCBs. The normal PCB mounting bracket (173-12525B) should be used with 4HP wide panels and the VME mounting bracket below used for 8HP wide panels enabling wire wrap spills to be utilized and still obtaining compatibility with the committed VME backplane.

Ordering information

Description	Order code
10 brackets and fixings	173-232671B

SPEEDWIRE PCB MOUNTING BRACKETS

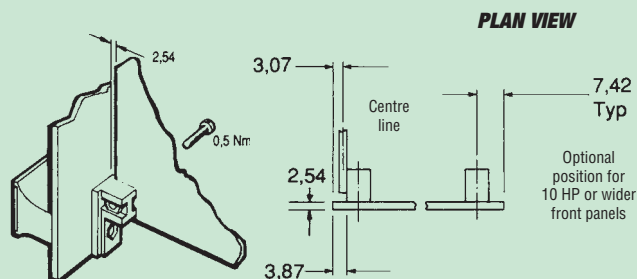
It is necessary when using the 'Speedwire' wiring system that a small off-set is obtained to account for the height of the speedwire contact on the left hand side of the PCB.

Ordering information

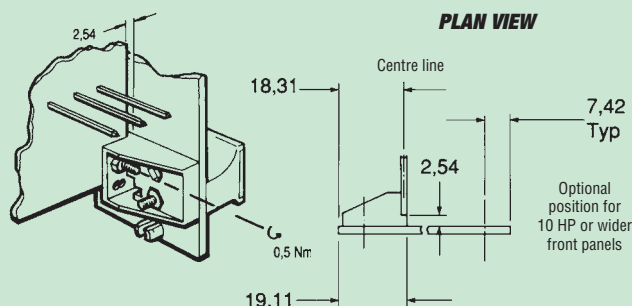
Description	Order code
10 pairs and fixings	173-232672L

Note: Plastics are adversely affected by solvents and care should be taken to avoid contamination of plastic brackets.

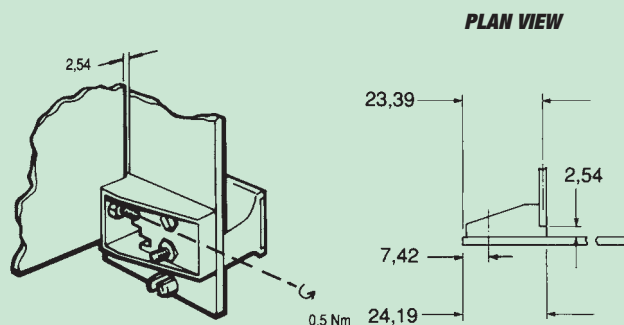
Normal bracket



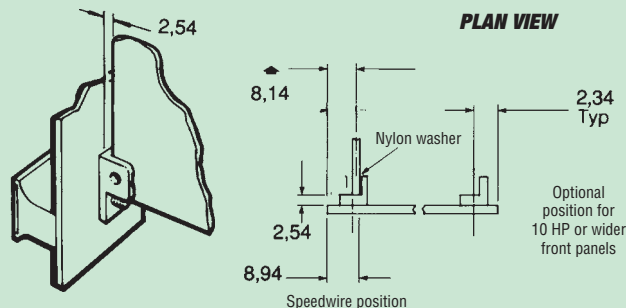
Wirewrap PCB bracket



VME PCB bracket



Speedwire PCB bracket



X-ON Electronics

Largest Supplier of Electrical and Electronic Components

Click to view similar products for [vero manufacturer](#):

Other Similar products are found below :

[173-202579H](#) [503-232983F](#) [503-232948H](#) [503-232971B](#) [20-313145](#) [16-269316](#) [503-232963A](#) [75-265742](#) [75-38118](#) [950-201784G](#) [16-269313](#) [75-265739](#) [503-232946A](#) [20-313139](#) [18-1657](#) [20-313138](#) [20-313144](#) [75-227911](#) [18-0222](#) [645-10028](#) [75-265740](#) [01-0042](#) [75-3019](#) [75-227895](#) [75-227901](#) [503-232985B](#) [20-313140](#) [75-227910](#) [503-232954B](#) [20-313143](#) [01-0021](#) [20-2136](#) [20-313137](#) [75-2861](#) [75-226685](#) [950-202001E](#) [75-2860](#) [20-2137](#)