

Product	<b>Contacts: 8, Female panel mount connector, dip-solder</b>
Area	<b>Bayonet NCC Series 770</b>
Article number	<b>09 0774 090 08</b>

Illustration	Scale drawing	Contact Arrangement																											
		<table border="1" style="margin-left: auto; margin-right: auto;"> <thead> <tr> <th></th> <th>X</th> <th>Y</th> </tr> </thead> <tbody> <tr><td>1</td><td>1,62</td><td>-3,90</td></tr> <tr><td>2</td><td>3,90</td><td>-1,62</td></tr> <tr><td>3</td><td>3,90</td><td>1,62</td></tr> <tr><td>4</td><td>1,62</td><td>3,90</td></tr> <tr><td>5</td><td>-1,62</td><td>3,90</td></tr> <tr><td>6</td><td>-3,90</td><td>1,62</td></tr> <tr><td>7</td><td>-3,90</td><td>-1,62</td></tr> <tr><td>8</td><td>-1,62</td><td>-3,90</td></tr> </tbody> </table>		X	Y	1	1,62	-3,90	2	3,90	-1,62	3	3,90	1,62	4	1,62	3,90	5	-1,62	3,90	6	-3,90	1,62	7	-3,90	-1,62	8	-1,62	-3,90
	X	Y																											
1	1,62	-3,90																											
2	3,90	-1,62																											
3	3,90	1,62																											
4	1,62	3,90																											
5	-1,62	3,90																											
6	-3,90	1,62																											
7	-3,90	-1,62																											
8	-1,62	-3,90																											

You can find the item description and assembly instruction on the next page.

## Technical data

### Common values

Connector Design	Female panel mount connector
Connector locking system	Bayonet
Termination	dip-solder
Wire gauge (mm)	0.25 mm <sup>2</sup>
Wire gauge (AWG)	max. 24
Upper temperature	85 °C
Lower temperature	-25 °C

### Electrical values

Rated voltage	175 V
Rated impulse voltage	1750 V
Pollution degree	2
Overvoltage category	II
Material group	II
Rated current (40°C)	2 A
Volume resistivity	≤ 15 mΩ
EMV compliance	-
Degree of protection	IP67 auch ungesteckt
Mechanical operation	> 5000 mating cycles

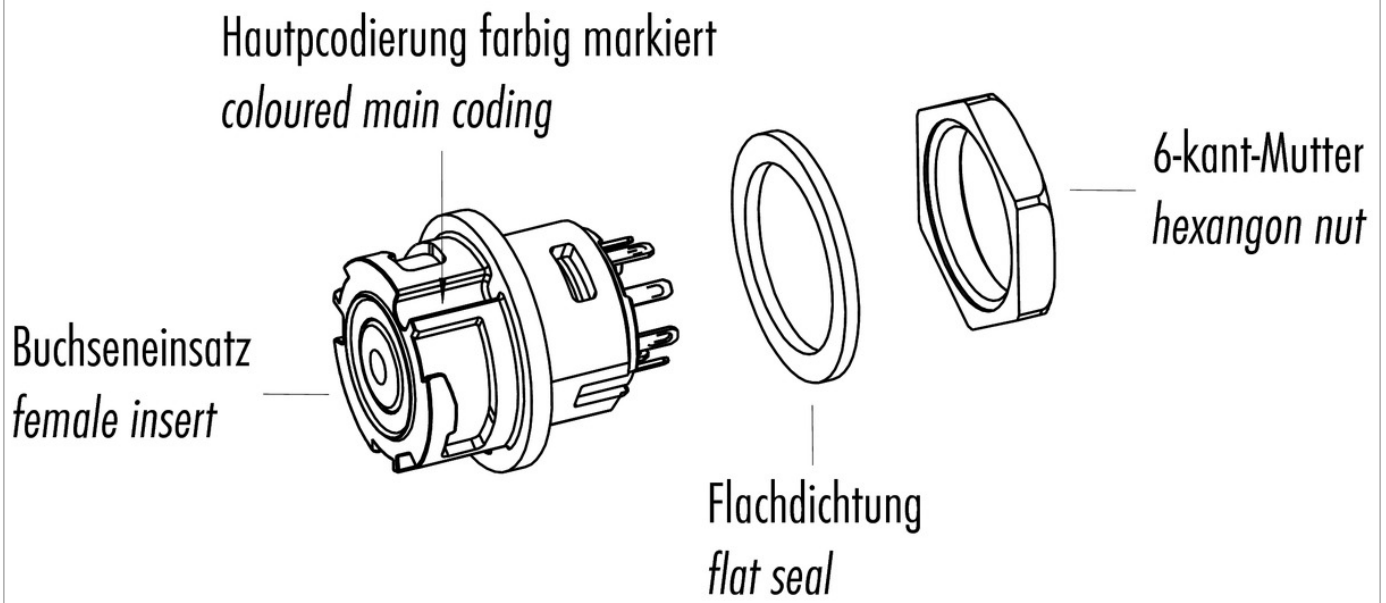
### Material

Material of contact	CuSn (Bronze)
Contact plating	Au (Gold)
Material of contact body	PA (UL 94 V-0)
Material of housing	PA (UL 94 HB)

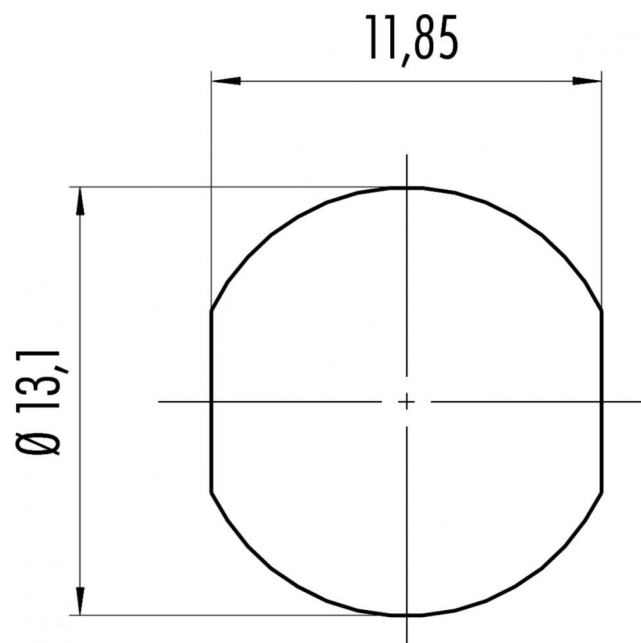
Product **Contacts: 8, Female panel mount connector, dip-solder**

Area **Bayonet NCC Series 770**  
Article number **09 0774 090 08**

Item description



Installation instructions / Mounting cutout



## X-ON Electronics

Largest Supplier of Electrical and Electronic Components

*Click to view similar products for [binder manufacturer](#):*

Other Similar products are found below :

[16-8085-001](#) [16-8100-000](#) [16-8090-000](#) [16-8093-000](#) [09 0330 00 12](#) [09 0153 70 08](#) [09 0305 00 03](#) [09 0337 00 16](#) [09 0477 00 07](#) [09 9478 00 07](#) [66-0004-001](#) [99-9125-60-08](#) [99-9106-60-03](#) [99 0612 00 04](#) [99 0079 100 04](#) [79-3108-52-04](#) [79-3110-52-04](#) [66-0003-001](#) [99-3782-200-08](#) [61-0903-139](#) [09 5283 00 03](#) [09-0316-702-05](#) [66-0005-000](#) [02-0055-001](#) [09-5288-00-08](#) [09-0104-300-02](#) [09-0110-25-04](#) [09-0112-782-04](#) [09-0173-300-08](#) [09-0312-290-04](#) [99-4218-300-07](#) [09-3442-92-05](#) [99-0437-186-05](#) [99-0218-210-07](#) [43-1706-000-04](#) [08-2809-000-000](#) [99-9205-050-03](#) [99-0201-00-07](#) [09-0312-09-04](#) [99-0610-02-04](#) [09-0319-80-05](#) [99-9206-050-03](#) [09-0073-20-02](#) [09-0081-20-04](#) [99-0143-12-06](#) [99-2009-210-04](#) [09-4912-080-04](#) [99-5681-15-07](#) [09-0062-00-05](#) [09-0053-80-14](#)