

SEPA[®] LARGE SIZE FAN FAMILY

BRUSHLESS AC FANS



Axial Fans

The fans include two ball-bearings and are characterised by low power consumption, low noise and high air performance. The air performance diagram shows a good linearity for air flow via air pressure, therefore the fans are adapted for any applications with best results. Protection against excessive temperature is included. Standard models are printed boldface.

Very stable metal housing, impeller made from PBT 30%FG, high precision ball-bearings and operating temperatures -40...+70°C are further highlights of these fans. Fan models with sleeve bearings or for high temperature up to 90°C or IP55 protected fans are available on request.

Model No.	Op. Voltage [VAC/Hz]	Op. Power [W]	Speed [RPM]	Noise [dB(A)]	Air Flow [m ³ /h]	Dimension [mm]	Life Exp. [h] @40°C	Approvals
UF60D12BWH	115/60	4	3100	28	17	ABC:60x60x30 ab:50x50	40000	UL, CUL, CE
UF60D23BWH	230/50	5	2550	27	14	ABC:60x60x30 ab:50x50	40000	UL, VDE, CE
A08A12SWBY00	115/60	8	3100	35	40	ABC:80x80x25 ab:71.5x71.5	40000	CE
A08A12HWBY00	115/60	14	3000	35	36	ABC:80x80x25 ab:71.5x71.5	40000	UL, CE
A08A12MWBY00	115/60	14	2800	34	34	ABC:80x80x25 ab:71.5x71.5	40000	UL, CE
A08A23SWBY00	230/50	9	2600	33	35	ABC:80x80x25 ab:71.5x71.5	40000	UL, CUL, CE
A08A23HWBY00	230/50	16	2400	32	30	ABC:80x80x25 ab:71.5x71.5	40000	UL, VDE, CE
A08A23MWBY00	230/50	16	2200	29	28	ABC:80x80x25 ab:71.5x71.5	40000	UL, VDE, CE
A08B12SWBY00	115/60	8	3100	38	54	ABC:80x80x38 ab:71.5x71.5	40000	CE
A08B12HWBY00	115/60	12	3000	36	48	ABC:80x80x38 ab:71.5x71.5	40000	UL, CE
A08B12MWBY00	115/60	12	2500	33	43	ABC:80x80x38 ab:71.5x71.5	40000	UL, CE
A08B12LWBY00	115/60	12	2500	32	42	ABC:80x80x38 ab:71.5x71.5	40000	UL, CE
A08B23SWBY00	230/50	9	2700	34	46	ABC:80x80x38 ab:71.5x71.5	40000	UL, CUL, CE
A08B23HWBF00	230/50	14	2500	33	40	ABC:80x80x38 ab:71.5x71.5	40000	UL, VDE, CE
A08B23MWBF00	230/50	14	2100	29	36	ABC:80x80x38 ab:71.5x71.5	40000	UL, VDE, CE
A08B23LWBF00	230/50	14	1900	27	33	ABC:80x80x38 ab:71.5x71.5	40000	UL, VDE, CE
A09A12STBY00	115/60	9	3250	38	66	ABC:92x92x25 ab:82.5x82.5	40000	CE
A09A12HTBF00	115/60	14	2800	36	62	ABC:92x92x25 ab:82.5x82.5	40000	UL, CE
A09A12MTBF00	115/60	14	2400	33	55	ABC:92x92x25 ab:82.5x82.5	40000	UL, CE
A09A23MTBY00	230/50	12	2700	34	55	ABC:92x92x25 ab:82.5x82.5	40000	CE
A09A23HTBF00	230/50	16	2400	32	50	ABC:92x92x25 ab:82.5x82.5	40000	UL, VDE, CE
A09A23MTBF00	230/50	16	2050	29	43	ABC:92x92x25 ab:82.5x82.5	40000	UL, VDE, CE
A09B12SWBY00	115/60	12	3300	43	89	ABC:92x92x38 ab:82.5x82.5	40000	CE
A09B12HWBY00	115/60	8	2800	38	76	ABC:92x92x38 ab:82.5x82.5	40000	CE
A09B23SWBY00	230/50	13	2800	38	76	ABC:92x92x38 ab:82.5x82.5	40000	CE
A09B23HWBY00	230/50	9	2400	33	64	ABC:92x92x38 ab:82.5x82.5	40000	CE
A12A12STBY00	115/60	11	3100	44	130	ABC:120x120x25 ab:104.8x104.8	40000	CE
A12A12HTBF00	115/60	14	2500	42	118	ABC:120x120x25 ab:104.8x104.8	40000	UL, CE
A12A12MTBF00	115/60	14	2000	33	95	ABC:120x120x25 ab:104.8x104.8	40000	UL, CE
A12A23MTBY00	230/50	12	2600	39	110	ABC:120x120x25 ab:104.8x104.8	40000	CE
A12A23HTBF00	230/50	16	2200	38	100	ABC:120x120x25 ab:104.8x104.8	40000	UL, VDE, CE
A12A23MTBF00	230/50	16	1900	32	90	ABC:120x120x25 ab:104.8x104.8	40000	UL, VDE, CE
A12B05HTBR00	24/50	23	2650	43	150	ABC:120x120x38 ab:105x105	40000	CE
A12B12STBW00	115/60	20	3100	49	183	ABC:119x119x38 ab:105x105	40000	UL, CE
A12B12HTBW00	115/60	17	2900	48	167	ABC:119x119x38 ab:105x105	40000	UL, CE
A12B12MTBW00	115/60	15	2600	40	145	ABC:119x119x38 ab:105x105	40000	UL, CE
A12B12LTBW00	115/60	10	2300	39	132	ABC:119x119x38 ab:105x105	40000	CE
A12B23STBW00	230/50	22	2700	44	165	ABC:119x119x38 ab:105x105	40000	UL, VDE, CE
A12B23HTBW00	230/50	18	2550	43	144	ABC:119x119x38 ab:105x105	40000	UL, VDE, CE
A12B23MTBW00	230/50	16	2400	35	135	ABC:119x119x38 ab:105x105	40000	UL, CUL, CE
A12B23LTBW00	230/50	9	2150	37	122	ABC:119x119x38 ab:105x105	40000	UL, CUL, CE
A12B23ETBW00	230/50	13	1800	28	100	ABC:119x119x38 ab:105x105	40000	CE
A13B12HTBY00	115/60	21	3100	48	210	ABC:127x127x38 ab:113.3x113.3	40000	CE
A13B23HTBY00	230/50	23	2700	43	188	ABC:127x127x38 ab:113.3x113.3	40000	CE
C17B12HTBF00	115/60	28	3300	57	340	ABC:172x172x38 ab:162x162	40000	UL, CUL, CE
C17B23HTBF00	230/50	27	2800	52	300	ABC:172x172x38 ab:162x162	40000	UL, CUL, CE
C17C12HTBF00	115/60	30	3300	58	380	ABC:172x150x51 ab:162x162	40000	UL, CUL, CE
C17C23HTBF00	230/50	29	2800	53	330	ABC:172x150x51 ab:162x162	40000	UL, CUL, CE
A17C12HWBP00	115/60	34	2500	51	300	ABC:172x150x51 ab:162x162	40000	CE
A17C23HWBP00	230/50	37	2500	51	300	ABC:172x150x51 ab:162x162	40000	CE

SEPA[®] LARGE SIZE FAN FAMILY

Costech[®] BRUSHLESS AC FANS

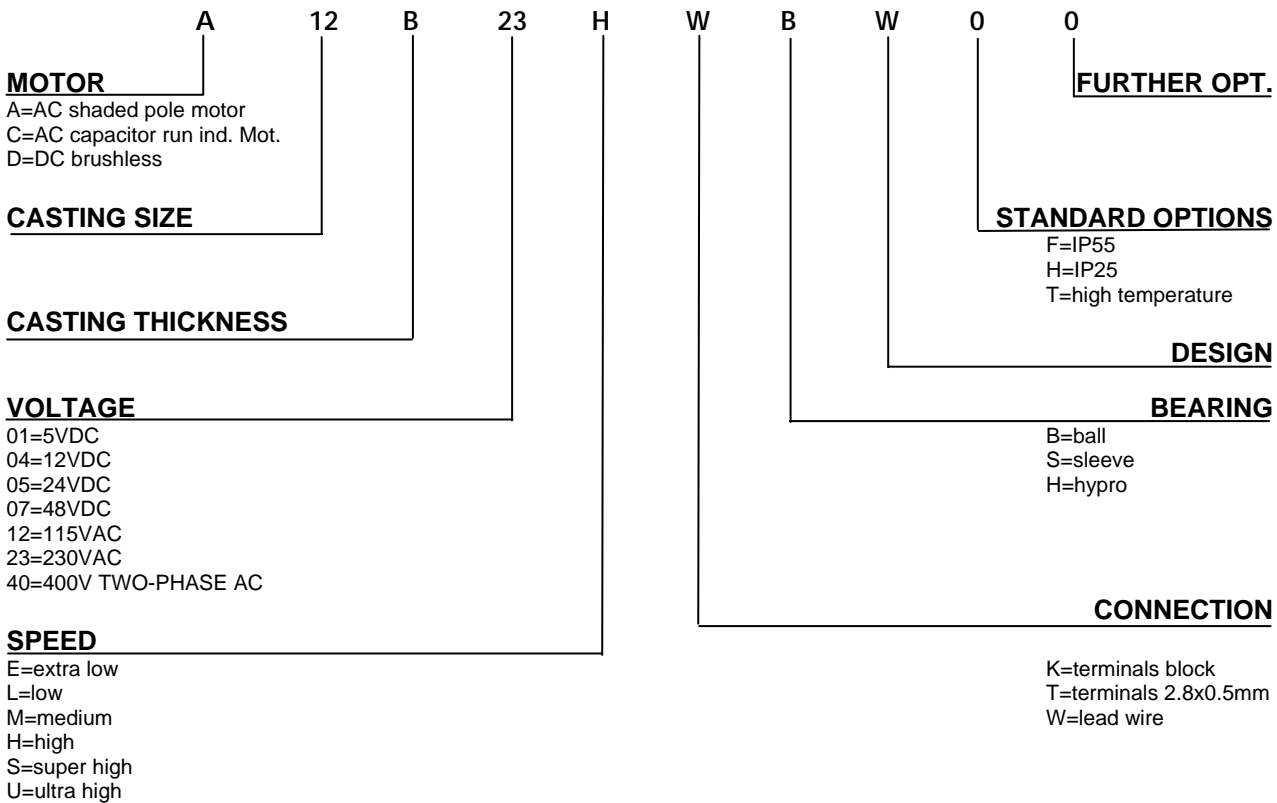


Axial Fans (Continuation)

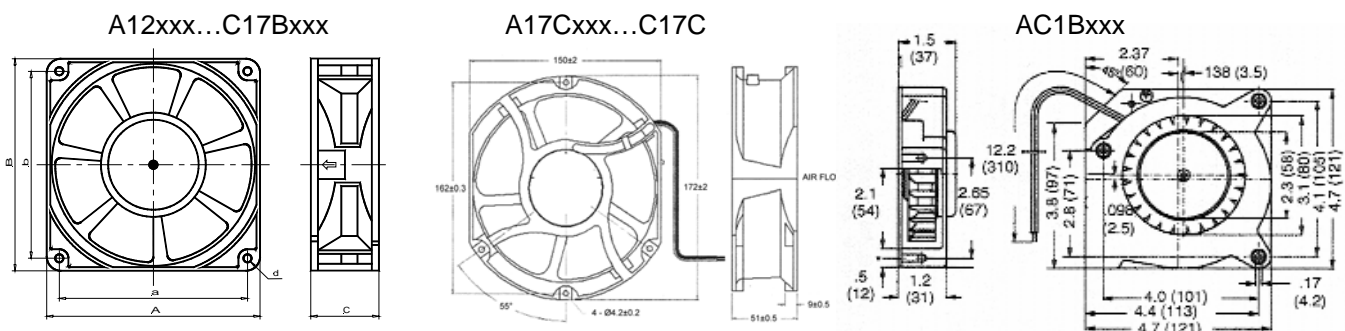
PERFORMANCE

Model No.	Op. Voltage [VAC/Hz]	Op. Power [W]	Speed [RPM]	Noise [dB(A)]	Air Flow [m ³ /h]	Dimension [mm]	Life Exp. [h] @40°C	Approvals
C18C12HTBF00	115/60	30	3300	55	380	AB:Ø172x51 a:162	40000	UL,CUL, CE
C18C23HTBF00	230/50	29	2800	50	330	AB:Ø172x51 a:162	40000	UL,CUL, CE
C25P12MTBF00	115/60	35	1650	55	930	AB:Ø255x90 a:162	40000	UL,CUL, CE
C25P23MTBF00	230/50	31	1400	52	780	AB:Ø255x90 a:162	40000	UL,CUL, CE
AC1B12HWBY00	115/60	20	2700	58	40	ABC:121x121x27 ab:104.8x104.8	40000	CE
AC1B23HWBY00	230/50	19	2500	55	38	ABC:121x121x27 ab:104.8x104.8	40000	CE

Model numbering system



Dimensions



X-ON Electronics

Largest Supplier of Electrical and Electronic Components

Click to view similar products for [sepa](#) manufacturer:

Other Similar products are found below :

[HXB50E12](#) [MFB60D05](#) [MFB25B05](#) [FG80](#) [FM40](#) [FG40](#) [MFB50E12](#) [HFB44B12A](#) [MFB40H12A](#) [FG92](#) [MFB40H12](#) [FG30](#) [FG50](#) [FM120](#)
[FM80](#)