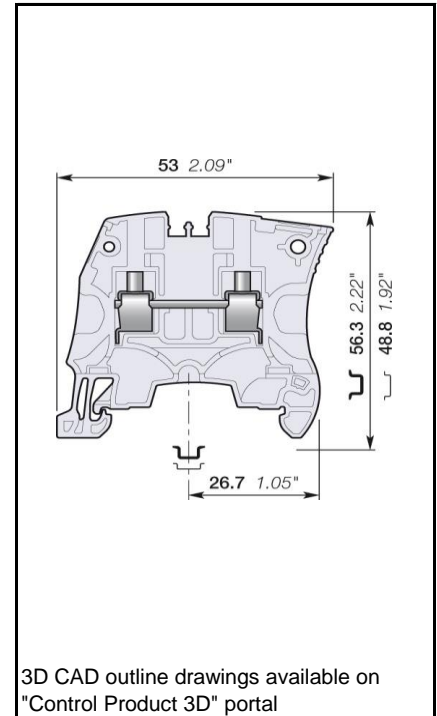
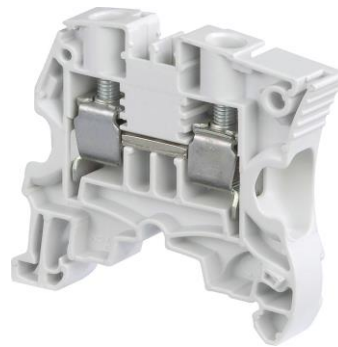


ZS10 Screw Clamp Terminal Blocks Feed-through

Save space by connecting conductors up to 10 mm² (CB certified) 6 AWG in just 8 mm 0.315 in spacing.



		10 mm ²
		6 AWG
8 mm 0.315 in Spacing		

Ordering Details

Color	Type	Order Code	EAN Code	Pack ^(ing)	Weight (1 pce) g
Grey	ZS10	1SNK508010R0000	3472595080106	50	14.10
Blue	ZS10-BL	1SNK508020R0000	3472595080205	50	14.10
Orange	ZS10-OR	1SNK508030R0000	3472595080304	50	14.10
Yellow	ZS10-YL	1SNK508060R0000	3472595080601	50	14.10
Green	ZS10-GN	1SNK508061R0000	3472595080618	50	14.10
Red	ZS10-RD	1SNK508062R0000	3472595080625	50	14.10
Purple	ZS10-PR	1SNK508063R0000	3472595080632	50	14.10
Brown	ZS10-BR	1SNK508064R0000	3472595080649	50	14.10
White	ZS10-WH	1SNK508065R0000	3472595080656	50	14.10
Black	ZS10-BK	1SNK508066R0000	3472595080663	50	14.10

Declarations and Certificates

CE	CB	RoHS	UL US USR CNR			Gost R	ATEX	IECEX IECEX
						ATEX Declaration		
BR-Ex e ll	Haz Loc	BV	Fima	DNV				

Declarations and Certificates

	CE	1SND225081C10*
	CB	1SND161018A02*
	RoHS	1SND230491F02*
	USR CNR	1SND161040A02*
	CSA	1SND161070A02*
	GOST R	1SND161005A11*
	ATEX	1SND162004A17*
	IECEX	1SND162005A17*
	BR-Ex e II	1SND161042A02*
	USR CNR Haz Loc	1SND161047A02*
	BV	1SND161073A02*
	RINA	1SND161088A02*
	DNV	1SND161087A02*
Atex Declaration	Atex Declaration	1SND225085C10*

Explosive Atmosphere: ATEX Classification

Group Category	Protection Method
IM2 II 2 GD Ex eb I/II/IIIC	Ex e: increased security
In the presence of explosive dust atmosphere, terminal blocks are to be installed in certified enclosure II 2D	

General Information

The following information must be strictly adhered to in order to guarantee the terminal block electrical, mechanical and environmental performance.

Protection	IEC 60947-1	IP20		NEMA 1			
Rail	TH35-7.5, TH35-15	TH35-7.5, TH35-15					
Wire stripping length		12 mm	0.472 in				
		Screw clamp		Screw rail contact (Maximum value)		Disconnect device	
Operating tool		Flat screwdriver					
		4 mm	0.157 in				
Torque		1.3 N.m	11.5 lb.in				
		± 0.3 N.m	± 2.65 lb.in				

Material Specifications

Insulating material	Polyamide
CTI	600 V
Flammability	UL94 V0
	NF F 16101 I2F2
	Needle flame test: C 60615-11-5 Compliant

Connecting capacity per clamp

		Screw clamp			
1 Rigid - Solid / Stranded conductor	Norme	IEC60947-7-1	UL1059		
	Value	0.5 ... 10 mm ²	24 ... 6 AWG		
1 Flexible conductor	Norme	IEC60947-7-1			
	Value	0.5 ... 10 mm ²			
1 Flexible conductor with non insulated ferrule	Norme	Manufacturer data	Manufacturer data		
	Value	0.5 ... 10 mm ²	24 ... 8 AWG		
1 Flexible conductor with insulated ferrule	Norme	Manufacturer data	Manufacturer data		
	Value	0.5 ... 6 mm ²	24 ... 10 AWG		
Gauge		A5-B5	5.2 mm		
		IEC 60947-1	0.205 in		
Ferrule maximum outer diameter or conductor insulation maximum outer diameter		∅ Max.	Manufacturer data	7.5 mm	0.295 in

The "Connecting capacity with ferrule" data is guaranteed with ABB crimping tool PS-3 (crimping capacity up to 10 mm²).

As part of its on-going product improvement, ABB reserves the right to modify the characteristics or the products described in this document. The information given is not contractual. For further details please contact the ABB company marketing these products in your country.

Multi Connecting capacity per clamp

2 Rigid - Solid / Stranded conductors	Norme	IEC60947-7-1	UL1059	
	Value	0.5 ... 4 mm ²	20 ... 12 AWG	
2 Flexible conductors	Norme	IEC60947-7-1		
	Value	0.5 ... 4 mm ²		
2 Flexible conductors with twin ferrule	Norme	Manufacturer data	Manufacturer data	
	Value	0.5 ... 4 mm ²	20 ... 12 AWG	

Don't mix **solid and flexible** conductors **in the same clamp**

Don't mix **solid or flexible** conductors of different sizes **in the same clamp**

The "Connecting capacity with ferrule" data is guaranteed with ABB crimping tool PS-3 (crimping capacity up to 10 mm²)

Cross section

Rated cross section	IEC60947-7-1	10 mm ²	UL1059	6 AWG
Maximum Cross section	Manufacturer data	10 mm ²	Manufacturer data	6 AWG

Electrical characteristics

Current

Rated current		IEC60947-7-1	57 A
	Field and factory wiring Cat.2	UL 1059	42 A
	Factory wiring Cat.1	UL 1059	42 A
		CSA-C-22.2 n°158	42 A
Maximum Exe current		IEC/EN 60079-7	57 A
Rated short-time withstand current 1 s (I _{cw})		IEC60947-7-1	1200 A
Short-time withstand current	0.5 s	Manufacturer data	2508 A
	5 s	Manufacturer data	798 A
	10 s	Manufacturer data	570 A
	30 s	Manufacturer data	285 A
	1 min	Manufacturer data	228 A
Rated short-circuit withstand current		CSA-C-22.2 n°158	
Max. current (45° temperature increase) / Max. cross section (mm ²)		Manufacturer data	57 A 10 mm ²
Maximum short circuit current (1s)		Manufacturer data	1200 A

Short Circuit Current Rating (SCCR) SA UL 1059 supplement

SCCR		UL 1059	100 kA
With the following configurations:			
Suitable conductor wire range			14 ... 6 AWG
Maximum voltage			600 V
Fuse class / Max. amp. Rating		J	110 A
		T	110 A
		RK1	100 A
		RK5	30 A
		G	60 A
		CC	30 A

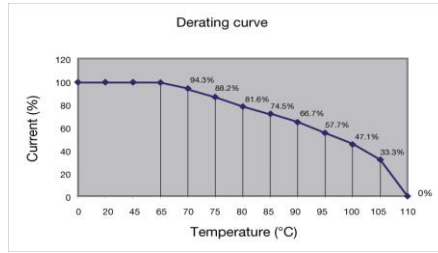
Voltage

Rated voltage	IEC 60947-1	1000 V
Rated voltage	UL 1059	600 V
Use Group	UL 1059	B, C
Rated voltage	CSA-C-22.2 n°158	600 V
Rated voltage Ex e	IEC/ EN 60079-7	630 V
Rated impulse withstand voltage	IEC 60947-1	8000 V
Dielectric test voltage	IEC 60947-1	2200 V
Pollution degree	IEC 60947-1	3
Overvoltage category	IEC 60947-1	III

Temperature range

Ambient temperature min/max	Storage	-55 ... +110 °C	-67 ... +230 °F
	Installing	-5 ... +40 °C	-23 ... +104 °F
	Service	-55 ... +110 °C	-67 ... +230 °F

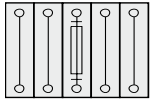
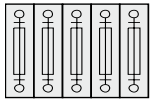
Current Derating curve for continuous service temperature



Dissipated power

Maximum dissipated power at rated current	IEC 60947-1	1.8 W
Maximum dissipated power at maximum Exe current	IEC 60079-7	

Rated power dissipation at an ambient temperature of 23 °C - IEC 60947-7-3

Separate arrangement / Overload and short-circuit protection	 <p>1 fuse and 4 feed-through blocks</p>	
Separate arrangement / Exclusive short-circuit protection		
Compound arrangement / Overload and short-circuit protection	 <p>5 fuse blocks</p>	
Compound arrangement / Exclusive short-circuit protection		

Environmental Characteristics Additional climatic tests

Dry heat	Conditions	IEC 60068-2 2	Compliant
		Temperature	+100 °C
		Duration of test	96 h
Cyclic damp heat	Conditions	IEC 60068-2 30	Compliant
		Temperature	+55 °C
		Relative humidity	
		Number of cycles (1 cycle = 24h)	2
Cold	Conditions	IEC 60068-2 1	Compliant
		Temperature	-40 °C
		Duration of test	96 h
Damp heat steady state	Conditions	IEC 60068-2-78	
		Temperature	
		Relative humidity	
		Duration of test	

Corrosion

Salt mist	Conditions	IEC 60068-2 11	Compliant
		Duration of test	96 h
		Concentration	5 %
SO ₂	Conditions	ISO 6988	Compliant
		Duration of test	48 h
		Concentration	0.2 dm ³
Flowing mixed gas corrosion test	Conditions	IEC 60068-2 60	Compliant
		Number of the test method	3
		Duration of test	21 j

As part of its on-going product improvement, ABB reserves the right to modify the characteristics or the products described in this document. The information given is not contractual. For further details please contact the ABB company marketing these products in your country.

Contact us

ABB France
Low Voltage Products Division
Export Department
10, rue Ampère Z.I. - B.P. 114
F-69685 Chassieu cedex / France
Tel. +33 (0)4 7222 1722
Fax +33 (0)4 7222 1935

Note

We reserve the right to make technical changes or modify the contents of this document without prior notice. With regard to purchase orders, the agreed particulars shall prevail. ABB does not accept any responsibility whatsoever for potential errors or possible lack of information in this document.

We reserve all rights in this document and in the subject matter and illustrations contained therein. Any reproduction, disclosure to third parties or utilization of its contents – in whole or in parts – is forbidden without prior written consent of ABB.

Copyright© 2011 ABB
All rights reserved

1SNK161004D0201 - PDF

X-ON Electronics

Largest Supplier of Electrical and Electronic Components

Click to view similar products for [entrelec](#) manufacturer:

Other Similar products are found below :

[023103024](#) [023000107](#) [1SNK505310R0000](#) [017322627](#) [011762822](#) [016511417](#) [016340320](#) [1SNK516020R0000](#) [023300421](#)

[1SNK510010R0000](#) [018731214](#) [011870703](#) [010500220](#) [011511607](#) [023300227](#) [016049626](#) [017666704](#) [1SNK508411R0000](#) [023300320](#)

[016548827](#) [023300001](#) [012511813](#) [017301610](#) [011546820](#) [010500127](#)