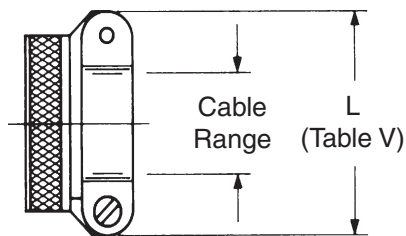
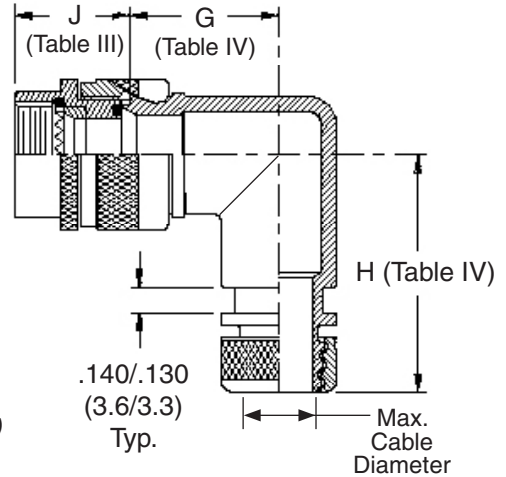
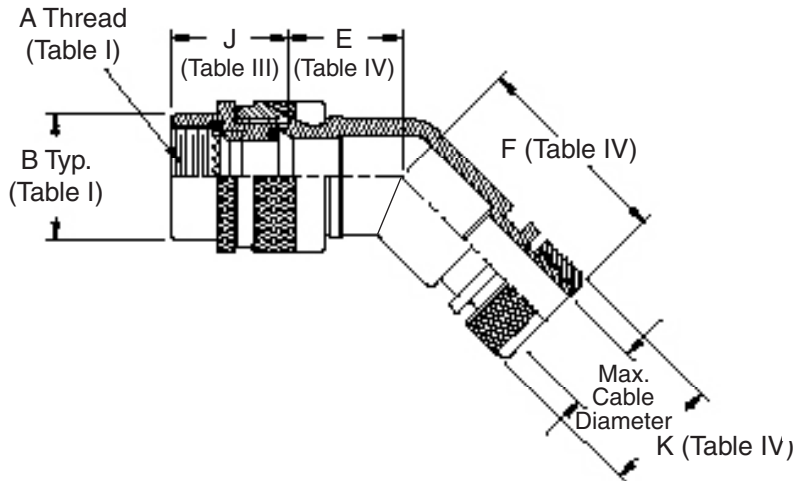
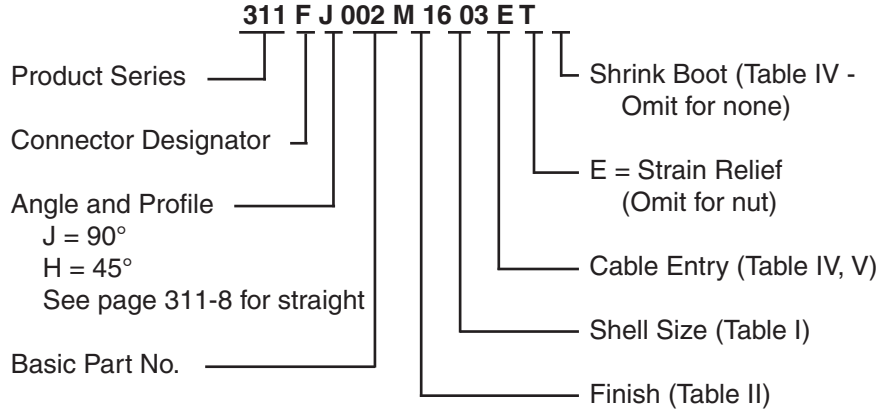


**CONNECTOR
 DESIGNATORS**

A-B*-C-D-E-F
G-H-J-K-L-S

* Conn. Desig. B See Note 4

**DIRECT
 COUPLING**



**STYLE E
 STRAIN RELIEF**

311-002
Lamp-Base Thread EMI/RFI Shrink Boot Adapter
 with Strain Relief and Optional Shrink Boot
 Direct Coupling - Standard Profile



See inside back cover fold-out
 or pages 13 and 14
 for unabridged Tables I and II.

1. Cable Entry or range is defined as the accommodation range for the wire bundle or cable. Dimensions shown are not intended for inspection criteria.
2. See Shrink Boot Reference Information (page 40).
3. Metric dimensions (mm) are indicated in parentheses.
4. When using Connector Designator B refer to pages 18 and 19 for part number development.
5. Shrink boot is not applicable for strain relief option. Please consult factory.

TABLE III: FRONT ADAPTER			
Shell Size	J Max - Conn. Designator		
	A-E-F J-H-L-S	D-B-G-K	C
08/09	1.180 (30.0)	1.250 (31.8)	
10/11	1.180 (30.0)	1.250 (31.8)	
12/13	1.180 (30.0)	1.250 (31.8)	1.735(44.1)
14/15	1.180 (30.0)	1.250 (31.8)	1.915(48.6)
16/17	1.380 (35.0)	1.560 (39.6)	1.915(48.6)
18/19	1.380 (35.0)	1.560 (39.6)	1.915(48.6)
20/21	1.380 (35.0)	1.560 (39.6)	1.915(48.6)
22/23	1.380 (35.0)	1.560 (39.6)	1.915(48.6)
24/25	1.380 (35.0)	1.560 (39.6)	1.915(48.6)
28/29	1.610 (40.9)	1.560 (39.6)	1.915(48.6)
32/33	1.610 (40.9)	1.750 (44.5)	1.915(48.6)
36	1.610 (40.9)	1.750 (44.5)	1.915(48.6)
40	1.610 (40.9)	2.190 (55.6)	1.915(48.6)

TABLE IV: CABLE ENTRY/DIMENSIONS/SHRINK BOOT							
Dash No.	E Max	F Max	G Max	H Max	K Max	Max Cable Diameter	Shrink Boot
01	.639 (16.2)	1.078 (27.4)	.750 (19.1)	1.188 (30.2)	.448 (11.4)	.125 (3.2)	770-003S111
02	.664 (16.9)	1.108 (28.1)	.810 (20.6)	1.248 (31.7)	.515 (13.1)	.250 (6.4)	770-003S112
03	.688 (17.5)	1.128 (28.7)	.870 (22.1)	1.308 (33.2)	.640 (16.3)	.375 (9.5)	770-001S103
04	.705 (17.9)	1.158 (29.4)	.920 (23.4)	1.378 (35.0)	.765 (19.4)	.500 (12.7)	770-001S103
05	.732 (18.6)	1.178 (29.9)	.980 (24.9)	1.438 (36.5)	.920 (23.4)	.625 (15.9)	770-001S104
06	.773 (19.6)	1.208 (30.7)	1.080 (27.4)	1.518 (38.6)	1.015 (25.8)	.750 (19.1)	770-001S104
07	.800 (20.3)	1.248 (31.7)	1.140 (29.0)	1.598 (40.6)	1.140 (29.0)	.875 (22.2)	770-001S105
08	.823 (20.9)	1.278 (32.5)	1.200 (30.5)	1.668 (42.4)	1.265 (32.1)	1.000 (25.4)	770-001S106
09	.823 (20.9)	1.278 (32.5)	1.200 (30.5)	1.668 (42.4)	1.432 (36.4)	1.125 (28.6)	770-001S107
10	1.041 (26.4)	1.448 (36.8)	1.480 (37.6)	1.908 (48.5)	1.515 (38.5)	1.250 (31.8)	770-001S107
11	1.041 (26.4)	1.448 (36.8)	1.480 (37.6)	1.908 (48.5)	1.640 (41.7)	1.375 (34.9)	770-001S107
12	1.092 (27.7)	1.488 (37.8)	1.610 (40.9)	1.998 (50.7)	1.765 (44.8)	1.500 (38.1)	770-001S107
13	1.136 (28.9)	1.538 (39.1)	1.720 (43.7)	2.108 (53.5)	2.015 (51.2)	1.750 (44.5)	770-001S108

TABLE II - STANDARD FINISHES	
GLENAIR	
SYMBOL	FINISH
B	Cadmium Plate, Olive Drab
M	Electroless Nickel
NF	Cadmium Plate, Olive Drab Over Electroless Nickel
See Inside Back Cover for Complete Finish Information and Additional Finish Options	

TABLE V: CABLE ENTRY/DIMENSIONS			
Dash No.	L Max	Cable Range	
		Min	Max
01	.781 (19.8)	.062 (1.6)	.125 (3.2)
02	.968 (24.6)	.125 (3.2)	.250 (6.4)
03	1.046 (26.6)	.250 (6.4)	.375 (9.5)
04	1.156 (29.4)	.312 (7.9)	.500 (12.7)
05	1.219 (31.0)	.437 (11.1)	.625 (15.9)
06	1.343 (34.1)	.562 (14.3)	.750 (19.1)
07	1.469 (37.3)	.687 (17.4)	.875 (22.2)
08	1.594 (40.5)	.812 (20.6)	1.000 (25.4)
09	1.719 (43.7)	.937 (23.8)	1.125 (28.6)
10	1.844 (46.8)	1.062 (27.0)	1.250 (31.8)

X-ON Electronics

Largest Supplier of Electrical and Electronic Components

Click to view similar products for [Circular MIL Spec Strain Reliefs & Adapters](#) category:

Click to view products by [Glenair](#) manufacturer:

Other Similar products are found below :

[896227-000](#) [899170S004](#) [6000-063-0022](#) [613751-000](#) [CS6624-000](#) [620AB038Z136](#) [620AS001Z108](#) [620AS038Z112](#) [620AS038Z120](#)
[620AS038Z132](#) [620FB038NF08](#) [620HA038NF13](#) [620HA038NF25](#) [620HA042XM13](#) [620HB049NF17](#) [620HS011NF21](#) [620HS038NF11](#)
[620HS038Z121](#) [620HS042XM19](#) [620HS042XM25](#) [620HS042XW13](#) [620HS048B17](#) [620MS064NF09](#) [620MS064NF12](#) [620MS065M12](#)
[620MS065Z107](#) [620MS065ZNU06](#) [630J041M06H](#) [630J041M20H](#) [637S010NF0212H](#) [640830-000](#) [659943-000](#) [66241-10A](#) [CW0597-000](#)
[CW0598-000](#) [CW0948-000](#) [CY0122-000](#) [M85049/41-6A W/B](#) [M85049/42-12DS](#) [M85049/47N8](#) [M85049/47W18](#) [M85049/51-1-14S](#)
[M85049/51-1-8W](#) [M85049/51S16S](#) [M85049/60-1N16](#) [M85049/60-2G12W](#) [M85049/69-11N](#) [CZ3661-000](#) [D02922-000](#) [70.360.1628.0](#)