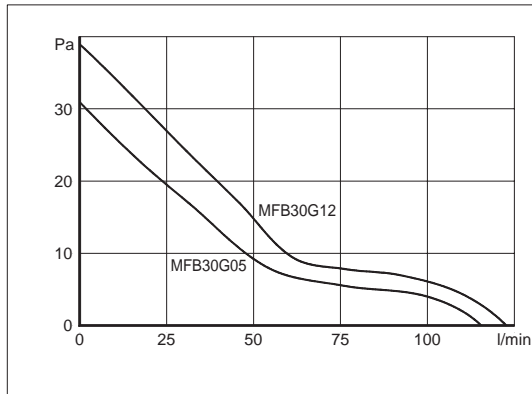


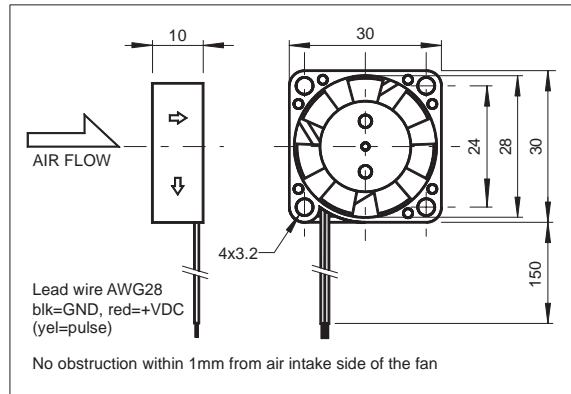
MFB30G05(A), MFB30G12(A)
BRUSHLESS, HIGH RELIABILITY FAN




AIR PERFORMANCE



SHAPE & DIMENSION



PERFORMANCE

	MFB30G05(A)	MFB30G12(A)
Operating Voltage [V]	4.5 ... 5.0 ... 5.5	10.2 ... 12.0 ... 13.8
Operating Current [mA]	130	70
Max. Start Current [mA]	260	120
Max. Air Flow [l/min - m ³ /h]	113 - 6.8	129 - 7,7
Max. Air Pressure [mmH ₂ O - Pa]	3.2 - 31.0	4.1 - 39,8
Typ. Noise @ 1m [dB(A)]	21	23
Operating Temperature [°C]	-10...+70	
Rotor Speed [RPM]	8500	9100
Pulse Output (optional for ...A)	(2 Pulses / Rev.)	
Life Expectancy L ₁₀ /MTBF [h]	95000/280000@20°C	
Bearing System	2 ball bearings ZZ	
Weight [g]	8	
Packing Quantity [PCs]	50 - 100 - 500	

This **SEPA**[®] high-tech miniature fan is suitable for industrial or automotive use and has a remarkable air flow performance despite its small dimensions. Due to a nearly linear air performance characteristic, the fan is applicable for different uses. It is permanently protected electrically against reverse polarity, blocking and thermal overloading. Due to the low rotor weight and precision balancing, it is virtually vibration-free. It is also insensitive to shock.

Further features of this fan are its extremely robust and torsionally rigid plastic housing of PBT (UL E54695), ball bearings with narrow tolerances of special steel, polyester-based PCB (UL E44247) and absolute reliability due to 100% burn-in.

Technical changes without notice • 05/07

• ALARM SIGNAL (Optional)

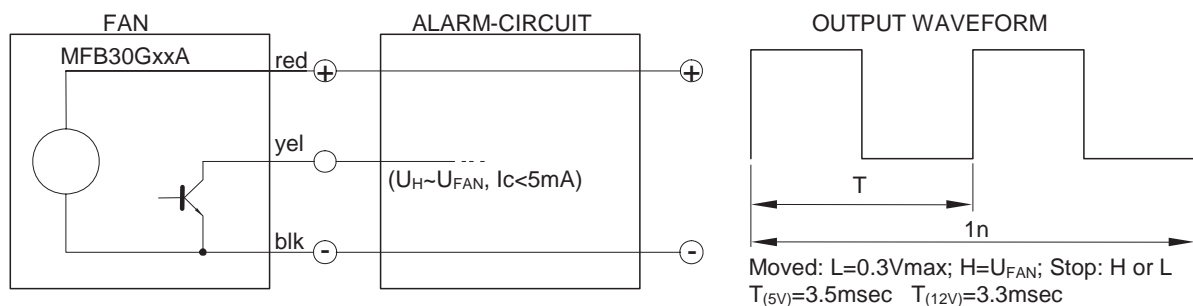
The **SEPA**® MFB30GxxA includes a pulse output, which allows monitoring the correct function of the fan. An alarm-board is available on request.

The pulse is like a rectangular wave, the frequency correlates to 2 x rotor speed. The amplitude is $U_{FAN} - 1V$ and appears periodically. At blocked rotor the output signal could be L ($\leq 0.3V$) or H (U_{FAN}).

IMPORTANT: The pulse output is *not* protected against short circuit and must not connect to GND or V_{cc} without pre-resistor. A pull-up-resistor is not needed.

Do not connect not used pulse output (insulate).
Do not touch the rotor!

The MFB30Gxxx has tinned lead wire ends (without connector).



• ACCESSORIES:

Connector: on request

• ORDER INFORMATION:

MFB30G05	SEPA ® Miniature fan 30x40x10mm, ball bearings, CE	513071000
MFB30G05A	SEPA ® Miniature fan 30x40x10mm, ball bearings, pulse, CE	513071010
MFB30G12	SEPA ® Miniature fan 30x40x10mm, ball bearings, CE	513072000
MFB30G12A	SEPA ® Miniature fan 30x40x10mm, ball bearings, pulse, CE	513072010

X-ON Electronics

Largest Supplier of Electrical and Electronic Components

Click to view similar products for [sepa](#) manufacturer:

Other Similar products are found below :

[HXB50E12](#) [MFB60D05](#) [MFB25B05](#) [FG80](#) [FM40](#) [FG40](#) [MFB50E12](#) [HFB44B12A](#) [MFB40H12A](#) [FG92](#) [MFB40H12](#) [FG30](#) [FG50](#) [FM120](#)
[FM80](#)