

Datasheet - AZ 15 ZVRK

Safety switch with separate actuator / AZ 15





- thermoplastic enclosure
- Double-insulated
- Long life
- 52 mm x 75 mm x 30 mm
- Multiple coding
- Large wiring compartment
- High level of contact reliability with low voltages and currents
- Slotted holes for adjustment, circular holes for location
- Not sensitive to dirty conditions by virtue of patented roller system
- 3 cable entries M 16 x 1.5

(Minor differences between the printed image and the original product may exist!)

Ordering details

Product type description	AZ 15 ZVRK
Article number	1153619
EAN code	4030661169354

Approval


Approval	 BG
	 USA/CAN
	 CCC

Classification

Standards	EN ISO 13849-1
B _{10d} Opener (NC)	2.000.000
Mission time	20 Years
notice	$MTTF_d = \frac{B_{10d}}{0,1 \times n_{op}}$ $n_{op} = \frac{d_{op} \times h_{op} \times 3600 \text{ s/h}}{t_{zyklus}}$

Global Properties

Product name	AZ 15
--------------	-------

Standards	EN 60947-5-1, BG-GS-ET-15
Compliance with the Directives (Y/N) 	Yes
Materials	
- Material of the housings	Plastic, glass-fibre reinforced thermoplastic, self-extinguishing
- Material of the contacts	Silver
Housing coating	None
Weight	100 g

Mechanical data

Design of electrical connection	Screw connection
Cable section	
- Min. Cable section	0,75 mm ²
- Max. Cable section	2.5 mm ²
Mechanical life	> 1.000.000 operations
higher Latching force (Y/N)	Yes
Latching force	30 N
With ejection force (Y/N)	No
Positive break force	10 N
positive break travel	8 mm
notice	All indications about the cable section are including the conductor ferrules.

Ambient conditions

Ambient temperature	
- Min. environmental temperature	-30 °C
- Max. environmental temperature	+80 °C
Protection class	IP67 to IEC/EN 60529

Electrical data

Design of control element	Opener (NC)
Switching principle	Creep circuit element
Number of auxiliary contacts	0 piece
Number of safety contacts	1 piece
Rated impulse withstand voltage U_{imp}	6 kV
Rated insulation voltage U_i	500 V
Thermal test current I_{the}	10 A
Utilisation category	AC-15: 230 V / 4 A, DC-13: 24 V / 4 A
Max. fuse rating	6 A gG D-fuse

ATEX

Explosion protection categories for gases	None
Explosion protected category for dusts	None

Dimensions

Dimensions of the sensor	
- Width of sensor	52 mm
- Height of sensor	75 mm
- Length of sensor	30 mm

Included in delivery

Actuators must be ordered separately.

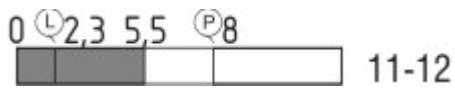
Diagram



Note Diagram

- positive break NC contact
- active
- no active
- Normally-open contact
- Normally-closed contact

Switch travel diagram



Notes Switch travel diagram

- Contact closed
 - Contact open
 - Setting range
 - Break point
 - Positive opening sequence/- angle
- VS** adjustable range of NO contact
VÖ adjustable range of NC contact
N after travel

Ordering suffix

The applicable ordering suffix is added at the end of the part number of the safety switch.

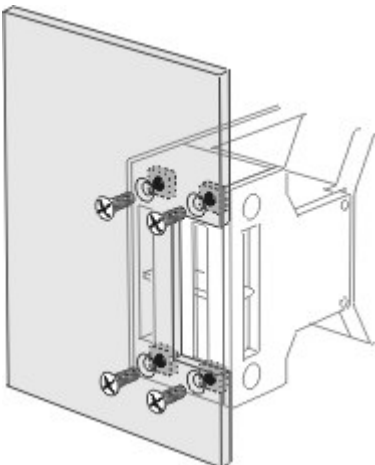
Order example: AZ 15 ZVRK-2254

...-2254

Latching force 5 N

...-1637

0,3 µm gold-plated contacts



...- 1762

Versions with M5 nuts
For front mounting of safety switch, e.g. on sheet-steel covers
Cannot be retrofitted

Ordering code

AZ 15 ZV(1)K-(2)-(3)

(1)

without Ejection force

R Latching force 30 N

(2)

without Cable entry M16

ST Connector M12, 4-pole

(3)

2254 Latching force 5 N

1762 Front mounting

1637 gold-plated contacts

Documents

Operating instructions and Declaration of conformity (de) 396 kB, 18.02.2011

http://127.0.0.1/Bilddata/AZ/Pdf/Az15_16/bedien/DE/mrl_az15-16_de.pdf

Operating instructions and Declaration of conformity (nl) 431 kB, 14.09.2010

http://127.0.0.1/Bilddata/AZ/Pdf/Az15_16/bedien/NL/mrl_az15-16_nl.pdf

Operating instructions and Declaration of conformity (en) 516 kB, 26.05.2010

http://127.0.0.1/Bilddata/AZ/Pdf/Az15_16/bedien/EN/mrl_az15-16_en.pdf

Operating instructions and Declaration of conformity (fr) 442 kB, 01.07.2010

http://127.0.0.1/Bilddata/AZ/Pdf/Az15_16/bedien/FR/mrl_az15-16_fr.pdf

Operating instructions and Declaration of conformity (pt) 436 kB, 24.06.2010

http://127.0.0.1/Bilddata/AZ/Pdf/Az15_16/bedien/pt/mrl_az15-16_pt.pdf

Operating instructions and Declaration of conformity (es) 405 kB, 25.03.2011

http://127.0.0.1/Bilddata/AZ/Pdf/Az15_16/bedien/ES/mrl_az15-16_es.pdf

Operating instructions and Declaration of conformity (br) 436 kB, 26.05.2010

http://127.0.0.1/Bilddata/AZ/Pdf/Az15_16/bedien/AZ_15_16_ACE/br/mrl_az15-16_br.pdf

Operating instructions and Declaration of conformity (pt) 433 kB, 25.05.2010

http://127.0.0.1/Bilddata/AZ/Pdf/Az15_16/bedien/AZ_15_16_ACE/pt/mrl_az15-16_pt.pdf

Operating instructions and Declaration of conformity (jp) 479 kB, 15.03.2011

http://127.0.0.1/Bilddata/AZ/Pdf/Az15_16/bedien/JP/mrl_az15-16_jp.pdf

Operating instructions and Declaration of conformity (it) 330 kB, 27.11.2009

http://127.0.0.1/Bilddata/AZ/Pdf/Az15_16/bedien/IT/mrl_az15-16_it.pdf

BG-test certificate (en) 197 kB, 01.06.2010

http://127.0.0.1/Bilddata/AZ/Pdf/Az15_16/baumuste/z_z15p02.pdf

BG-test certificate (de) 198 kB, 01.06.2010

http://127.0.0.1/Bilddata/AZ/Pdf/Az15_16/baumuste/z_z15p01.pdf

CCC certification (en) 746 kB, 12.12.2006

http://127.0.0.1/Bilddata/AZ/Pdf/Az15_16/zertifikat/q_175p02.pdf

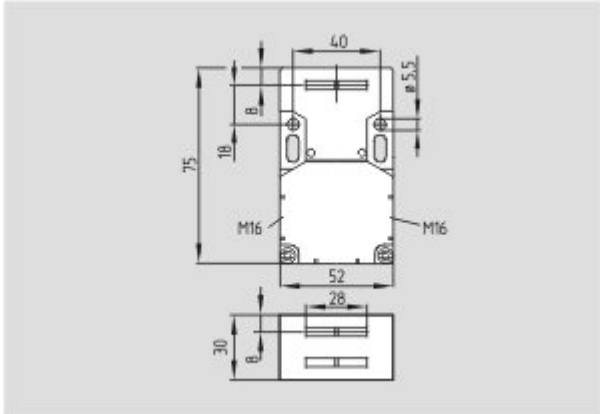
CCC certification (cn) 730 kB, 12.12.2006

http://127.0.0.1/Bilddata/AZ/Pdf/Az15_16/zertifikat/q_175p03.pdf

Gost certification (ru) 1 MB, 21.06.2007

http://127.0.0.1/Bilddata/AZ/Pdf/Az15_16/zertifikat/q_az1p01.pdf

Images



Dimensional drawing (basic component)

System components

Actuator

1083036 - AZ 15/16-B1



1092711 - AZ 15/16-B1-1747



- For play-free interlocking of light guards
- Suitable for retrofitting

1093553 - AZ 15/16-B1-1747



- For play-free interlocking of light guards
- The magnetic latch can be easily fitted in any actuating plane
- Suitable for retrofitting

1108276 - AZ 15/16-B1-2024



1108278 - AZ 15/16-B1-2024 WITH SLOT SEALING PLUG

- For protection against the ingress of course dirt



1111079 - AZ 15/16-B1-2053

- For interlocking of light to medium-weight guards



1111081 - AZ 15/16-B1-2053 WITH BALL LATCH

- For interlocking of light to medium-weight guards



1126793 - AZ 15/16-B1-2177

- For interlocking of light, unguided guards



1126794 - AZ 15/16-B1-2177 WITH CENTERING GUIDE

- For interlocking of light, unguided guards



1137408 - AZ 15/16-B1-2245

Damps vibration on guard device



1095558 - AZ 15/16-B2

- For very small actuating radii in line with the plane of the actuator



1096091 - AZ 15/16-B2-1747

- For very small actuating radii in line with the plane of the actuator
- Suitable for retrofitting
- For play-free interlocking of light guards



1096089 - AZ 15/16-B2-1747 WITH MAGNETIC LATCH

- For very small actuating radii in line with the plane of the actuator
- Suitable for retrofitting
- For play-free interlocking of light guards
- The magnetic latch can be easily fitted in any actuating plane



1095550 - AZ 15/16-B3

- For very small actuating radii at 90° to the plane of the actuator



1096090 - AZ 15/16-B3-1747 WITH MAGNETIC LATCH

- For very small actuating radii at 90° to the plane of the actuator
- Suitable for retrofitting
- For play-free interlocking of light guards
- The magnetic latch can be easily fitted in any actuating plane



1096092 - AZ 15/16-B3-1747

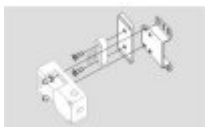
- For very small actuating radii at 90° to the plane of the actuator
- Suitable for retrofitting
- For play-free interlocking of light guards



1137434 - AZ 15/16-B6

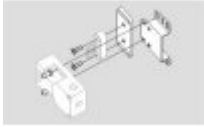
- For very small actuating radii in line with or at 90° to the plane of the actuator

Accessories



1149214 - Mounting set MS AZ 15/16 R/P

1150373 - Mounting set MS AZ 15/16 P



1089116 - Slot sealing plugs AZ 15/16-1476

- For protection against the ingress of course dirt
- To cover unused actuator slots
- Simple clip-in fitting



1115025 - Ball latch 2053-2

- Additional ball latch for stable latching of light to medium-weight guards
- For separate mounting on the guard



1110500 - SZ 16/335

- To prevent inadvertent closing, e.g. during maintenance
- For complex plant
- Prevents actuation of the switch
- Up to 6 padlocks can be fitted
- The lockout tag can be mounted on a chain near to the safety switch

**Mounting accessories**

**1135338 - TAMPERPROOF SCREWS
M 5 x 12**

- To mount the actuator
- Higher protection against tampering with interlock
- Protects against unauthorised removal of actuator
- Various lengths available



1135339 - TAMPERPROOF SCREWS M 5 x 16

- To mount the actuator
- Higher protection against tampering with interlock
- Protects against unauthorised removal of actuator
- Various lengths available



1135340 - TAMPERPROOF SCREWS M 5 x 20

- To mount the actuator
- Higher protection against tampering with interlock
- Protects against unauthorised removal of actuator
- Various lengths available

X-ON Electronics

Largest Supplier of Electrical and Electronic Components

Click to view similar products for [Limit Switches](#) category:

Click to view products by [Schmersal](#) manufacturer:

Other Similar products are found below :

[6LS2-4PG](#) [5ML1-E1](#) [5ML31](#) [LZG1](#) [LZL1-6C](#) [622EN114-R](#) [622EN18-6](#) [622EN224-6B](#) [622EN230](#) [622EN237-R](#) [622EN69-3](#) [622EN85-RB](#)
[MA-10019](#) [6PA109](#) [7LS51](#) [83547001](#) [83725002](#) [83830001](#) [83840001](#) [83840701](#) [83841001](#) [83870104](#) [83881140](#) [8AS42](#) [8LS10](#) [8LS125-](#)
[4PG](#) [8LS152-4PGN20](#) [914CE16-3A](#) [914CE3-3L1](#) [915PA10](#) [91MCE16-P2O](#) [924CE16-Y3](#) [924CE1-S6](#) [924CE1-T25A](#) [924CE1-T3](#) [924CE1-](#)
[T9A](#) [924CE2-T9](#) [924CE31-Y20-X5](#) [924CE31-Y3L1](#) [GL-10054](#) [GL-85710](#) [GL-85714](#) [GLAB26J2B](#) [GLDB03C-6](#) [GLZ324](#) [PS21R-](#)
[NT11N7-YK0](#) [D4A-1106N](#) [D4A-3E02N](#) [D4A-4510N](#) [D4A-4516N](#)