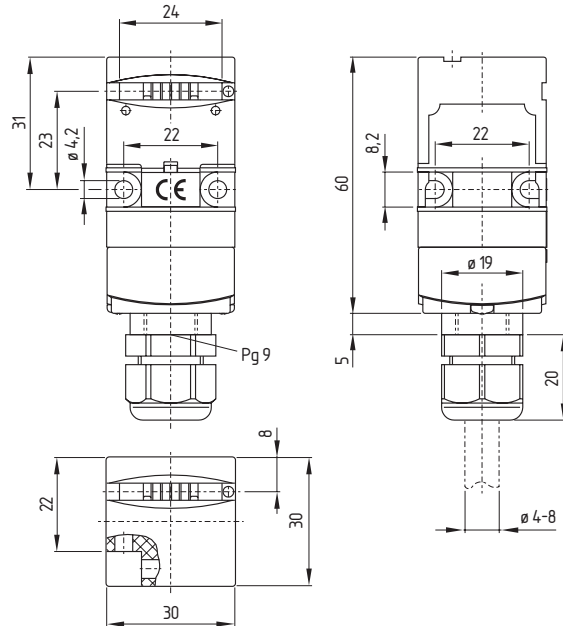


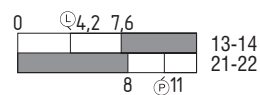
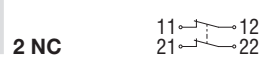
**1. Safety switches with separate actuator / Class 2**  
**1.10 AZ 17 range**



**Features**

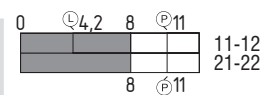
- Thermoplastic enclosure
- Compact design
- Multiple coding
- Long life
- Double insulated □
- Including Pg cable gland
- Slot sealing plug included
- High level of contact reliability with low voltages and currents
- Not sensitive to dirty conditions by virtue of patented roller system
- 8 actuating planes
- Cut clamp termination
- Also available with pre-wired cable

**Contacts/  
Switch travel**



Latching force 5 N  
 Latching force 30 N

**AZ 17-11zk**  
**AZ 17-11zrk**



**AZ 17-02zk**  
**AZ 17-02zrk**

**Notes**

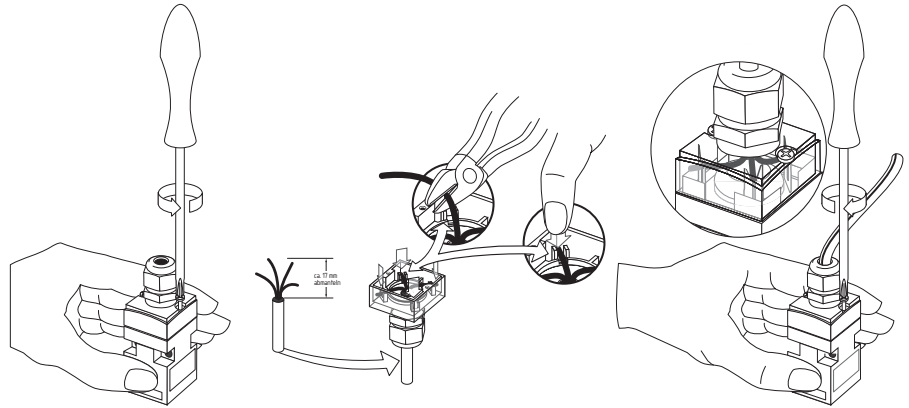
Inserted position of actuator = 0 in switch travel diagrams.  
 Actuators must be ordered separately.  
 A selection of suitable actuators can be found in 1.12.

# 1. Safety switches with separate actuator / Class 2

## 1.10 AZ 17 range



**Cut clamp** This type of termination (IDC) method enables simple connection of flexible conductors without the need for the use of conductor ferrules.



### AZ 17 with pre-wired cable

- Front cable entry, ordering suffix -2243
- Rear cable entry, ordering suffix -2243-1

### Cable lengths

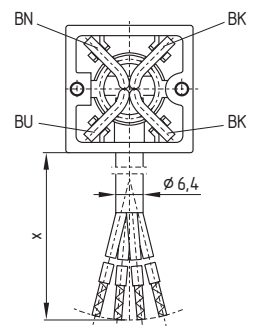
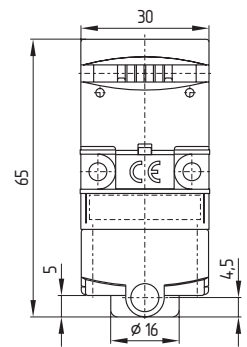
- 5 metres long    Ordering suffix    -5m
- 6 metres long    Ordering suffix    -6m
- Other lengths of cable on enquiry

### Ordering details

To order, select the part number of the desired switch from the table "Contacts/Switch travel", e.g. safety switch AZ 17 with two NC contacts, with 5 N latching force: AZ 17-02zk

Angled actuator: AZ 17/170-B5

The applicable ordering suffix is added at the end of the part number of the safety switch. Further variants not shown here are available on enquiry.



**Info** • With gold-plated contacts (0.3 µm), ordering suffix -1637

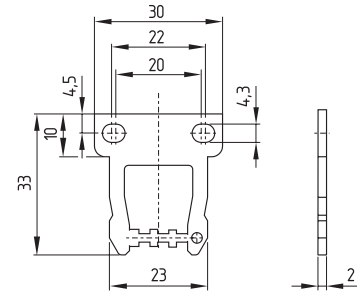
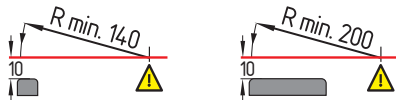
### Approvals





### Straight actuator AZ 17/170-B1

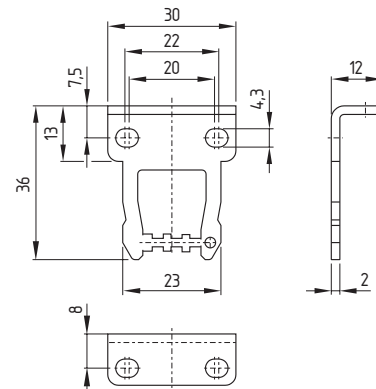
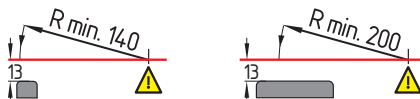
- Particularly suitable for sliding doors
- On hinged guards, minimum actuating radius at 90° to the plane of the actuator 140 mm, minimum actuating radius in line with the plane of the actuator 200 mm



- The axis of the hinge should be 10 mm above the top edge of the safety switch and in the same plane

### Angled actuator AZ 17/170-B5

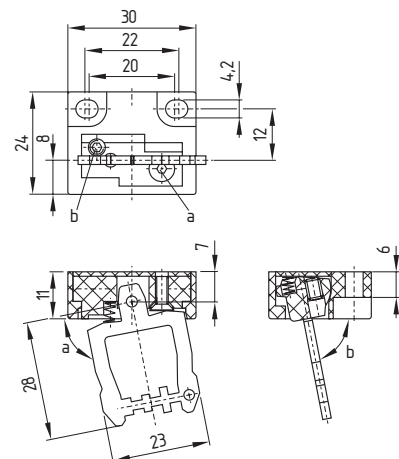
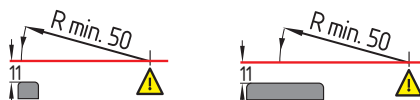
- Particularly suitable for hinged guards (front mounting)
- On hinged guards, minimum actuating radius at 90° to the plane of the actuator 140 mm, minimum actuating radius in line with the plane of the actuator 200 mm



- The axis of the hinge should be 13 mm above the top edge of the safety switch and in the same plane

### Adjustable actuator AZ 17-B6

- For very small actuating radii
- Actuating radius adjustable, minimum 50 mm, using an hexagonal key wrench 2 mm A/F (a and b)
- The actuator insert can be turned through 180° to allow adjustment in the opposite direction.

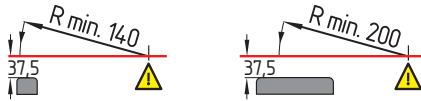


- The axis of the hinge should be 11 mm above the top edge of the safety switch and in the same plane

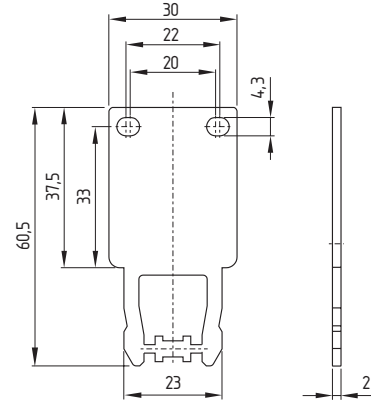


**Long straight actuator AZ 17/170-B11**

- Particularly suitable for sliding doors
- On hinged guards, minimum actuating radius at 90° to the plane of the actuator 140 mm, minimum actuating radius in line with the plane of the actuator 200 mm

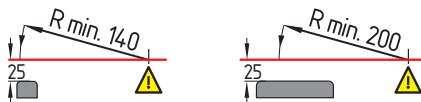


- The axis of the hinge should be 37.5 mm above the top edge of the safety switch and in the same plane

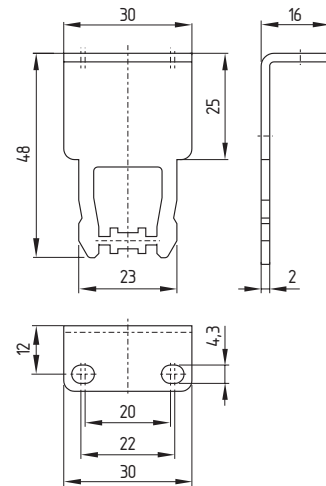


**Long angled actuator AZ 17/170-B15**

- Particularly suitable for hinged guards (front mounting)
- On hinged guards, minimum actuating radius at 90° to the plane of the actuator 140 mm, minimum actuating radius in line with the plane of the actuator 200 mm

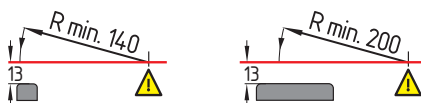


- The axis of the hinge should be 25 mm above the top edge of the safety switch and in the same plane

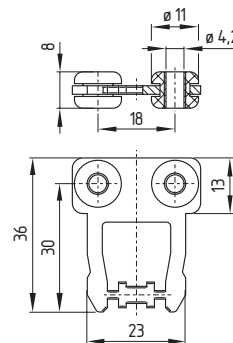


**Straight actuator with rubber mountings AZ 17/170-B1-2245**

- Particularly suitable for sliding doors
- On hinged guards, minimum actuating radius at 90° to the plane of the actuator 140 mm, minimum actuating radius in line with the plane of the actuator 200 mm
- Damps vibration on guards

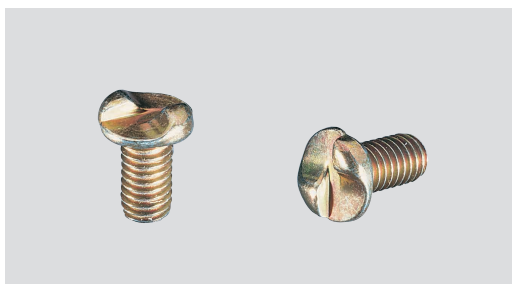


- The axis of the hinge should be 13 mm above the top edge of the safety switch and in the same plane
- Max. 200 Ncm tightening torque for fixing the actuator





### Tamperproof screws



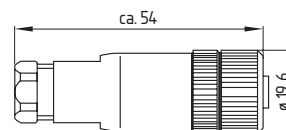
**Screw lengths**

Pan-head screws  
M 4 x 8, Id. No.: 504 239 6001

Supplied in sets of 2 screws

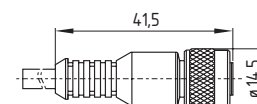
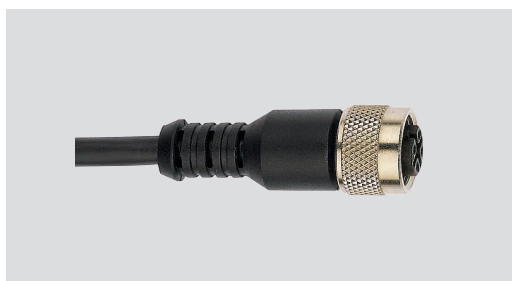
- To mount the actuator
- Higher protection against tampering with interlock
- Protects against unauthorised removal of actuator

### Connector plug M 12 x 1 for AZ 17-ST with connector



- Straight connector plug
- Unwired
- A-coding: part number Series 713

### Connector plug M 12 x 1 for AZ 17-ST with connector



- Straight connector plug with pre-wired cable
- Cable 5 m long
- Conductors: 4 x 0.75 mm<sup>2</sup>
- A-coding: part number Series 763

**1. Safety switches with separate actuator / Class 2**  
**1.13 Accessories**



**Mounting set MS AZ 17**

- For simple mounting on profile systems
- Mounting of the safety switch parallel or right-angled to the safety guard

**Hinweis**

- The mounting sets can only be used in conjunction with actuator AZ 17-B6.
- Safety switch and actuator are **not included** in delivery.

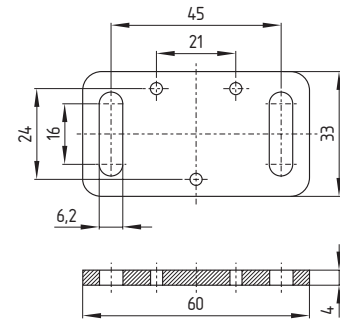
**Legend**

- 1 Roundhead screw M4 x 30 per ISO 7380
- 2 Roundhead screw M4 x 10 per ISO 7380
- 3 Washer per DIN 433-4,3
- 4 Mounting plate AZ 17/AZM 170
- 5 U-profile AZ 17
- 6 Mounting angle AZ 17

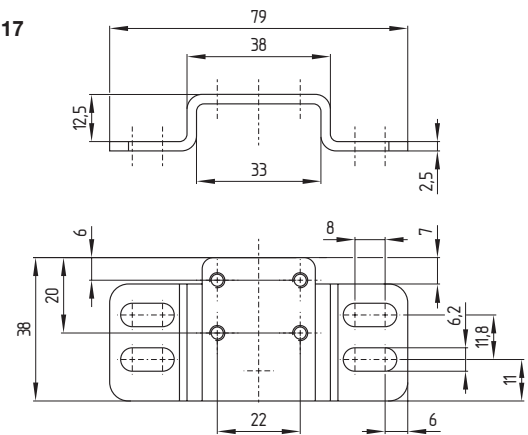
**Not provided:**

- 7 Safety switch AZ 17
- 8 Actuator AZ 17-B6

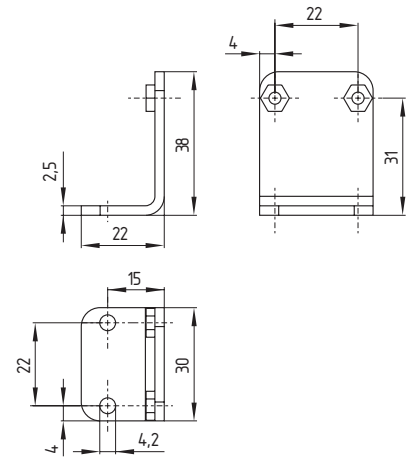
**Mounting plate AZ 17/AZM 170**



**U-profile AZ 17**

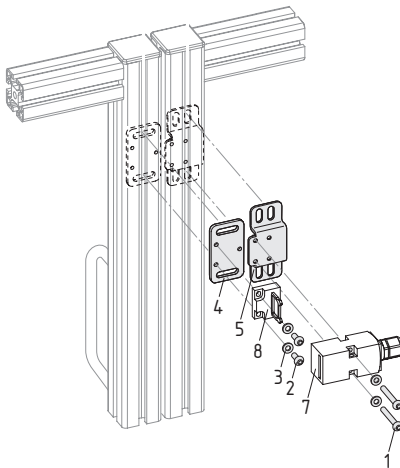


**Mounting angle AZ 17**



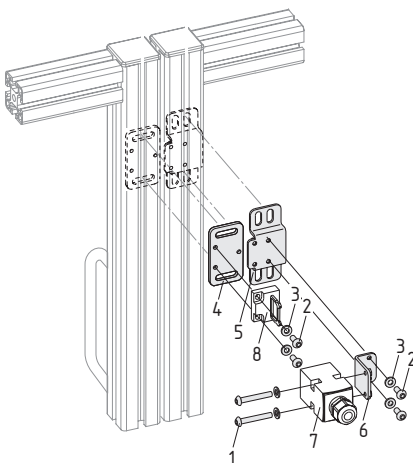
**MS AZ 17 P**

Mounting parallel to safety guard



**MS AZ 17 R/P**

Mounting right-angled to safety guard



# 1. Safety switches with separate actuator / Class 2

## 1.29 Technical data



	AZ 15 / AZ 16 AZ 16zi	AZ 16-ST AZ 16zi-ST	AZ 17 AZ 17zi
Standards:	IEC/EN 60947-5-1; EN 1088; BG-GS-ET-15		
Enclosure material:	Glass-fibre reinforced thermoplastic, self-extinguishing		
Actuator:	Stainless steel 1.4301		
Protection class:	IP 67 to IEC/EN 60529		
Contact material:	Silver		
Contact type:	Change-over with double break Zb or 2 NC or 3 NC contacts, with galvanically separated contact bridges		Change-over with double break Zb or 2 NC contacts, with galvanically separated contact bridges
Switching system:	⊖ IEC 60947-5-1; ⊕ BG-GS-ET-15; slow action, NC contact with positive break		
Termination:	Screw terminals for max. 2.5 mm <sup>2</sup> cables (including conductor ferrules)	Connector M 12 x 1, four pole	Cut clamp (IDC) method 0.75 to 1.0 mm <sup>2</sup> , flexible
Rated impulse withstand voltage U <sub>imp</sub> :	6 kV		4 kV
Rated insulation voltage U <sub>i</sub> :	500 V		250 V
Thermal test current I <sub>th</sub> :	10 A		
Utilisation category:	AC-15; DC-13		AC-15
Rated operating current/voltage I <sub>e</sub> /U <sub>e</sub> :	4 A/230 VAC; 4 A/24 VDC		4 A/230 V
Max. fuse rating:	6 A gL/gG D-fuse		4 A (slow blow)
Positive break travel:	8 mm		11 mm
Positive break force:	10 N for each NC contact fitted		17 N for each NC contact fitted
Ambient temperature:	- 30 °C ... + 80 °C		
Mechanical life:	> 1 million operations		



**1. Safety switches with separate actuator / Class 2**  
**1.29 Technical data**



	<b>AZ 17-ST</b> <b>AZ 17zi-ST</b>	<b>AZ 335</b> <b>AZ 355</b>	<b>AZ 415</b>
Standards:	IEC/EN 60947-5-1/DIN VDE 0660-200; EN 1088; BG-GS-ET-15		
Enclosure material:	Glass-fibre reinforced thermo-plastic, self-extinguishing	Light-alloy diecasting, paint finish	
Actuator:	Stainless steel 1.4301	Zinc-plated brass/aluminium	
Protection class:	IP 67 to IEC/EN 60529/DIN VDE 0470-1		
Contact material:	Silver		
Contact type:	Changeover with double break Zb or 2 NC contacts, with galvanically separated contact bridges	Changeover with double break Zb or 2 NC or 3 NC contacts, galvanically isolated moving contacts	
Switching system:	⊖ IEC 60947-5-1; ⊕ BG-GS-ET-15; slow action, NC contact with positive break		
Termination:	Connector M 12 x 1, four pole	Screw terminals; for max. 2.5 mm <sup>2</sup> cables (including conductor ferrules)	
Rated impulse			
withstand voltage U <sub>imp</sub> :	4 kV	2 contacts: 6 kV, 3 contacts: 4 kV	4 kV
Rated insulation			
voltage U <sub>i</sub> :	250 V	2 contacts: 500 V, 3 contacts: 250 V	250 V
Thermal test current I <sub>th</sub> :	10 A		
Utilisation category:	AC-15		
Rated operating			
current/voltage I <sub>e</sub> /U <sub>e</sub> :	4 A/230 V	4 A/230 V 2.5 A/400 V 1 A/500 V	4 A/230 V
Max. fuse rating:	4 A (slow blow)	6 A (slow blow)	
Positive break travel:	11 mm	10.7 mm	5 mm
Positive break force:	17 N for each NC contact fitted	5 N for each NC contact fitted	Min. 15 N
Ambient temperature:	- 30 °C ... + 80 °C	- 30 °C ... + 90 °C	- 25 °C ... + 80 °C
Mechanical life:	> 1 million operations	10 million operations	> 1 million operations





## X-ON Electronics

Largest Supplier of Electrical and Electronic Components

*Click to view similar products for [schmersal](#) manufacturer:*

Other Similar products are found below :

[AZ16ZVRK-M20-2254](#) [AZM170-11ZRK-24VAC/DC](#) [RST260-1](#) [AZM 161SK-12/12RKT-024](#) [ZS236-11Z-M20](#) [AZM 170-11ZRK](#)  
[24VAC/DC](#) [AZM 170-11ZRKA 24VAC/DC](#) [AZM 161-B6](#) [AZM300B-ST-1P2P-A](#) [AES1135 \(24VDC\)](#) [EF103.1](#) [AZM 170-02ZRKA-ST](#)  
[24VAC/DC](#) [BNS33-11Z-ST](#) [Z4VH336-11Z-M20](#) [RF03](#) [AZM 161SK-12/12RK-110/230](#) [AZ 15/16-B1-2053](#) [AZ 16-02ZVRK](#)  
[AZ17/AZM170-B1](#) [TS236-11Z-M20](#) [BNS260-11/01ZG-ST-L](#) [EF220.1](#) [SRB301LC 24VAC/DC](#) [SRB402EM](#) [EL](#) [AZ 17/170-B1](#) [BPS 16](#)  
[NDRZ50RT](#) [AZ/AZM300-B1](#) [SRB301ST-24V-\(V.2\)](#) [ELE](#) [AZM 170-B6](#) [AZ 17-02ZRK](#) [AZM 170-02ZRKA 24 VAC/DC](#) [AZ 16-03ZVRK](#)  
[AZ16-12ZVRK-M20](#) [RST16-1](#) [AZ 15/16-B1-1747](#) [RSS260-D-ST](#) [BNS16-12ZV](#) [AZ 17-02ZK-ST](#) [AZ16-02ZVRK-M20](#) [AZ 15/16-B3](#) [RSS](#)  
[36-D-ST](#) [EFK03.1](#) [AZ 17-02ZK](#) [AZ 16-12ZVK](#) [BNS 260-02Z-ST-R](#) [AZM170-02ZRK-24VAC/DC](#) [AZ 17-11ZK](#)