

ZONE	REV	SCR NUMBER	DESCRIPTION	BY	DATE	APPROVED
ALL	A	AASY-70UL9B.VER01	NEW RELEASE	HCL-GM	04/16/2009	A.ASTBURY
	B	AASY-868QB.VER01	ADDED XTALIC PN'S	HCL-GM	06/10/2010	D.SMITH

9 5 1 - 4 X 0 C - X X X

XCede BACKPLANE MODULE MALE STANDARD LOAD

4 PAIR

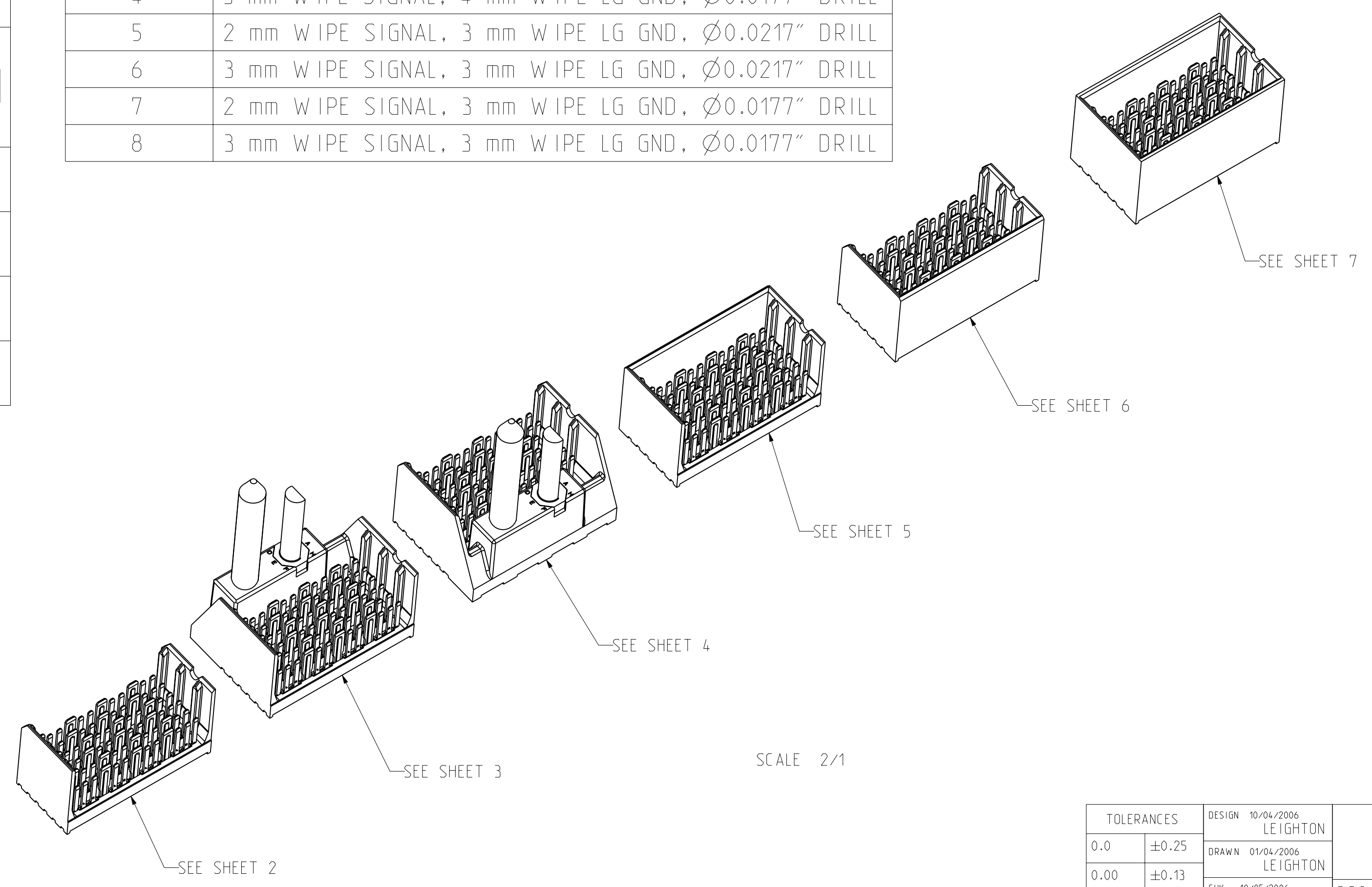
6-POSITION

PLATING ④	
LETTER	DESCRIPTION
B	Ni SULFAMATE, STANDARD GOLD, LEADED
C	Ni SULFAMATE, HIGH GOLD, LEADED
D	Ni SULFAMATE, STANDARD GOLD, LEAD-FREE
E	Ni SULFAMATE, HIGH GOLD, LEAD-FREE
F	NANO Ni, STANDARD GOLD, LEADED
G	NANO Ni, HIGH GOLD, LEADED
H	NANO Ni, STANDARD GOLD, LEAD-FREE
J	NANO Ni, HIGH GOLD, LEAD-FREE

NUMBER	PIN STYLE, HEIGHT
0	GUIDE PIN MACHINED, 31.6mm / NONE
1	GUIDE PIN ROLLED, 31.6mm
4	GUIDE PIN MACHINED, 25.7mm
5	GUIDE PIN ROLLED, 25.7mm

NUMBER	SIGNAL & LG. GROUND WIPE LENGTH, COMPLIANT PIN SIZE
1	2 mm WIPE SIGNAL, 4 mm WIPE LG GND, Ø0.0217" DRILL
2	3 mm WIPE SIGNAL, 4 mm WIPE LG GND, Ø0.0217" DRILL
3	2 mm WIPE SIGNAL, 4 mm WIPE LG GND, Ø0.0177" DRILL
4	3 mm WIPE SIGNAL, 4 mm WIPE LG GND, Ø0.0177" DRILL
5	2 mm WIPE SIGNAL, 3 mm WIPE LG GND, Ø0.0217" DRILL
6	3 mm WIPE SIGNAL, 3 mm WIPE LG GND, Ø0.0217" DRILL
7	2 mm WIPE SIGNAL, 3 mm WIPE LG GND, Ø0.0177" DRILL
8	3 mm WIPE SIGNAL, 3 mm WIPE LG GND, Ø0.0177" DRILL

	LETTER									
LEFT POLARIZING GUIDANCE (SEE SHEET 3)	N	J (NO KEY)	A	B	C	D	E	F	G	H
	NO KEY NO GUIDE PIN									
RIGHT POLARIZING GUIDANCE (SEE SHEET 4)	Z	Y (NO KEY)	P	Q	R	S	T	U	V	W
	NO KEY NO GUIDE PIN									
OPEN (SEE SHEET 2)	O (ZERO)									
LEFT WALL (SEE SHEET 5)	L									
RIGHT WALL (SEE SHEET 6)	M									
TWO WALL (SEE SHEET 7)	1									



- NOTES:
- REFER TO TB-2150 FOR XCede PRODUCT SPECIFICATIONS.
 - ② NOTCH DESIGNATES "ROW A" SIDE OF SHROUD. NOTCH FEATURE ON OPPOSITE SIDE FROM PART MARKING.
 - PART MARKING AS FOLLOWS:
 LINE 1: "ATCS" AND DATECODE (ATCS YYWW).
 LINE 2: MODULE PART NUMBER (951-####-###).
 LINE 3: WORK ORDER NUMBER (#####).
 WHERE "*" DENOTES MANUFACTURING LOCATION.
 - ④ PLATING THICKNESS OF SIGNAL CONTACT AND GROUND CONTACT IS DETERMINED BY PLATING CODE. SEE PART NUMBER TREE SHEET 1.
 - REPAIR PROCEDURE FOR MODULE. SEE TB-2210.
 - ⑤ SEE TB-2149 FOR ROUTING GUIDELINES & PTH REQ'S.
 - ⑦ SEE DOC C190-1001-000 FOR TOOLING KEEPOUT ZONES.
 - ⑧ BACKPLANE DATUM REFERENCE.
 - ⑨ OPTIONAL HOLE/MOUNTING SCREW LOCATION FOR GROUNDED PIN OR ADDITIONAL GUIDE PIN SUPPORT. REFER TO TB-2211 FOR PROPER GUIDE PIN SELECTION AND DRAWING C942-4010-000 FOR OPTIONAL HOLE DETAILS. ONLY APPLIES FOR MACHINED GUIDE PIN APPLICATIONS.
 - DIMENSIONS APPLY FOR BOTH COMPLIANT PIN SIZES.

INTERPRET PER ASME Y14.5M
CODE IDENT 31413

TOLERANCES	DESIGN	DATE
0.0	±0.25	10/04/2006
0.00	±0.13	01/04/2006
0.000	±	10/05/2006
ANGLES	± 3°	10/06/2006

Amphenol TCS
A Division of Amphenol Corporation
200 Innovative Way, Nashua, NH 03062 803.879.3000

TITLE: BACKPLANE MODULES, VERTICAL MALE HEADER
XCede, 4 PAIR 6 POSITION

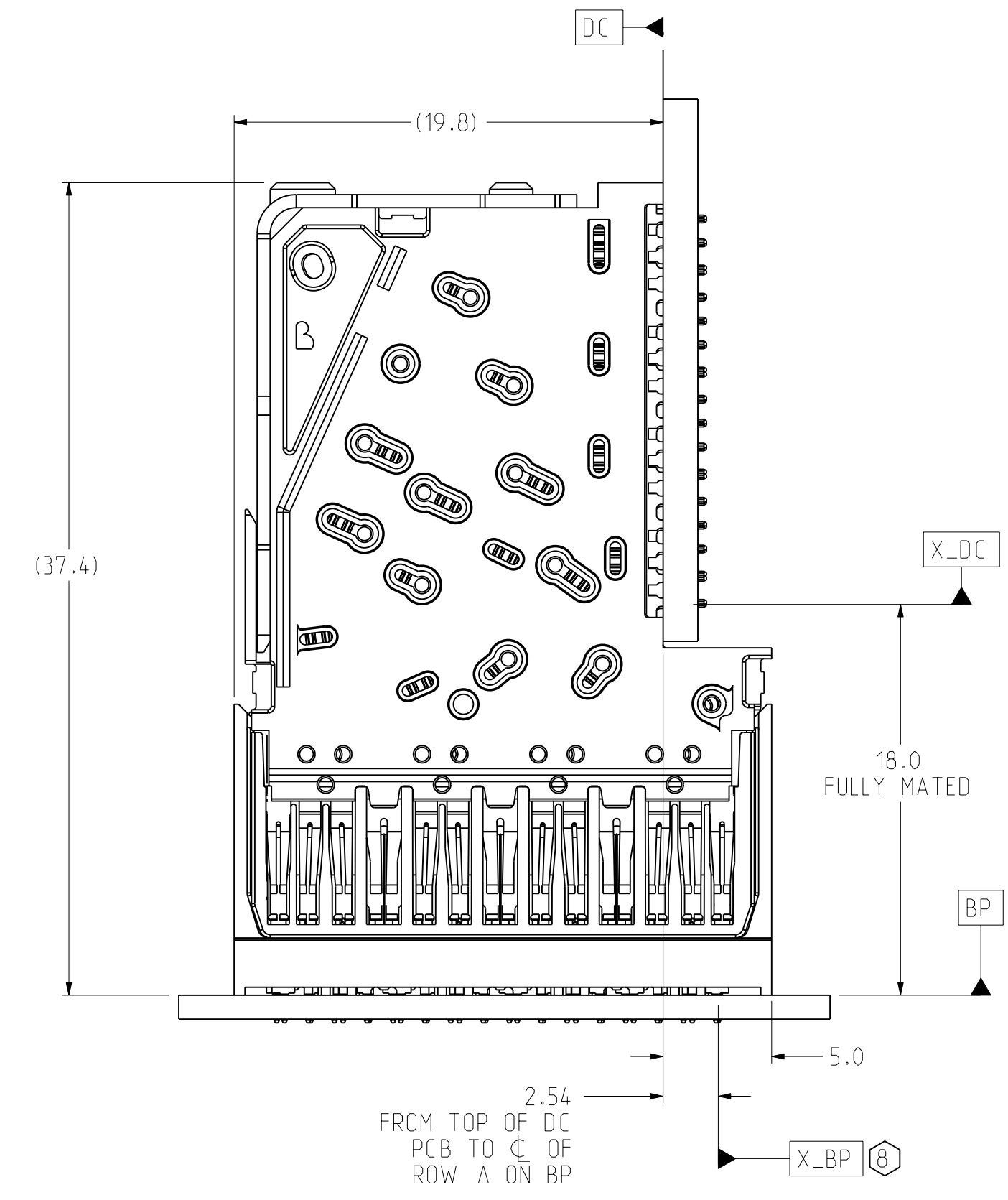
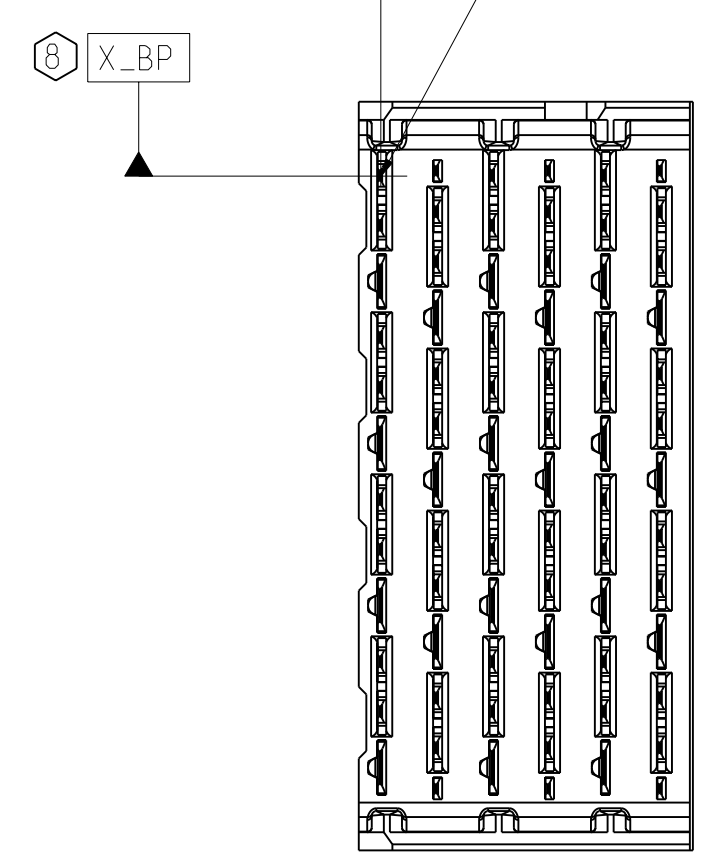
PART NO. SEE PN TREE SHEET 1
DRAWING NO. C951-400C-500
ProE ASSEM C951-4-BP4
C951-400C-500.drw

SCALE 4/1 SHEET 1 OF 8

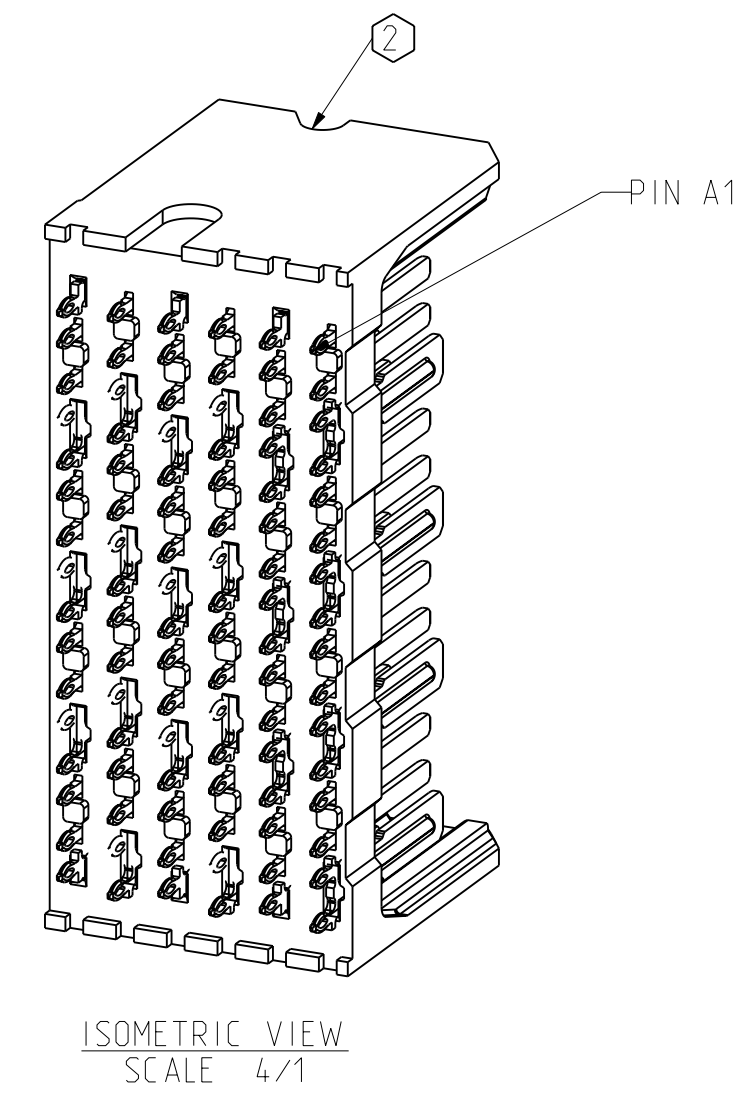
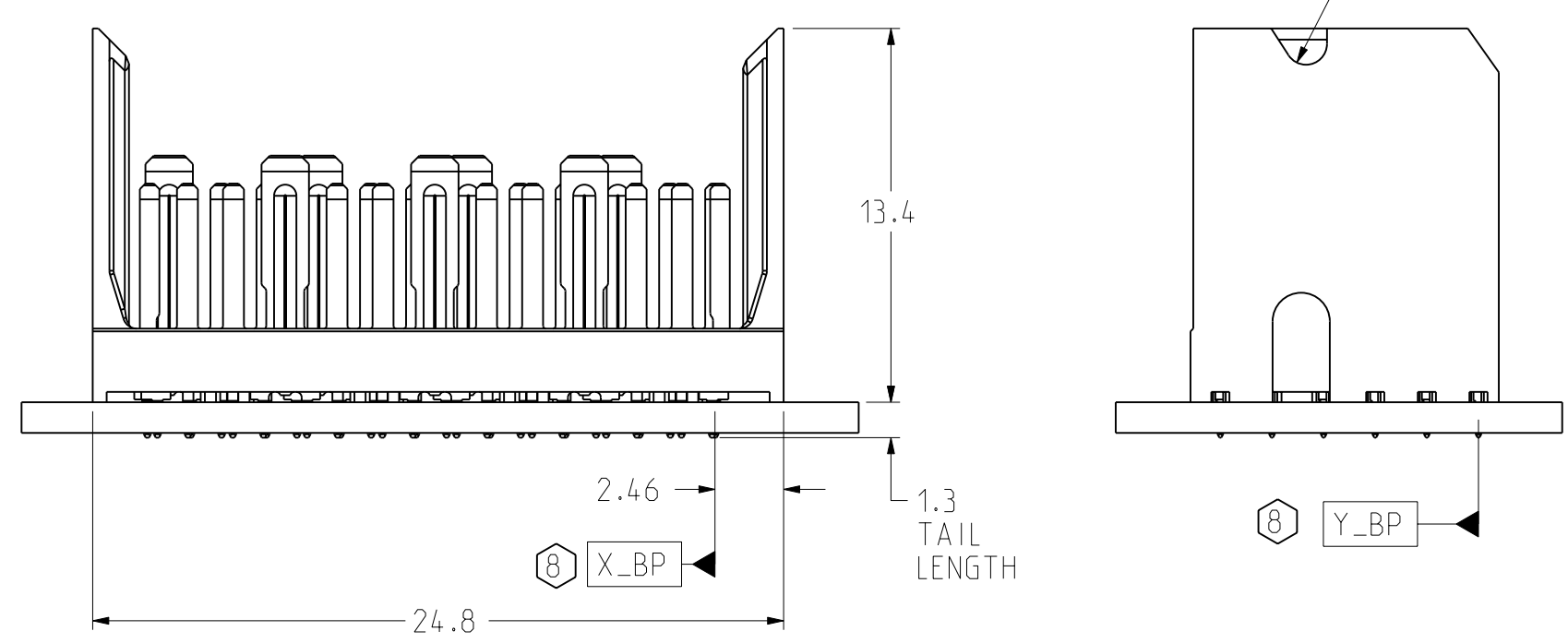
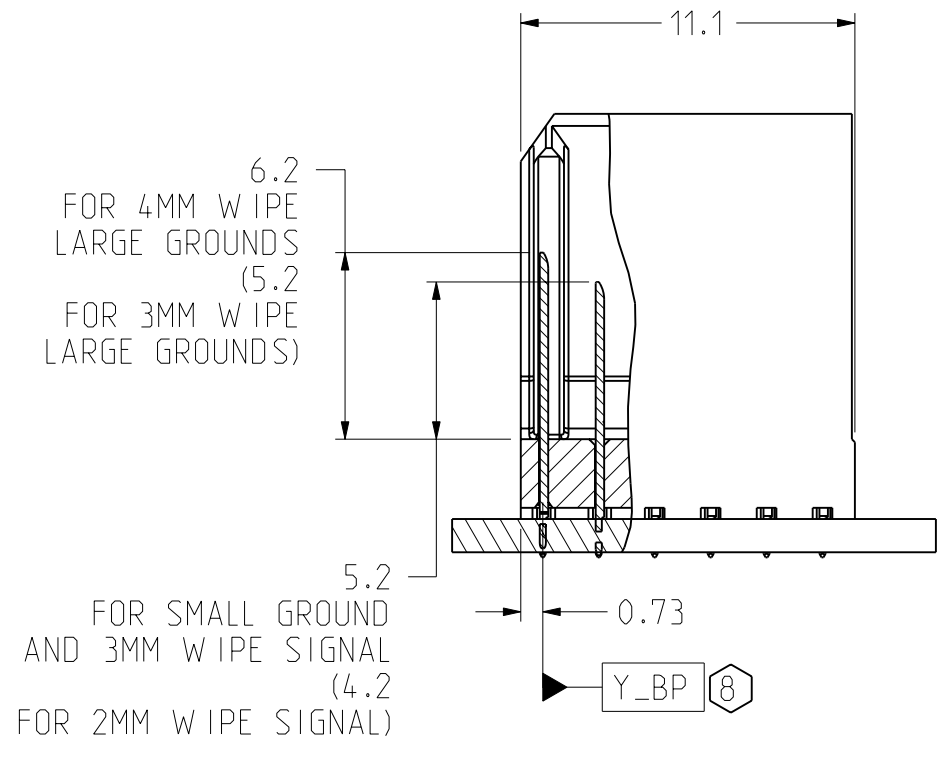
CUSTOMER USE DRAWING

ZONE	REV	SCR NUMBER	DESCRIPTION	BY	DATE	APPROVED
			SEE SHEET 1			

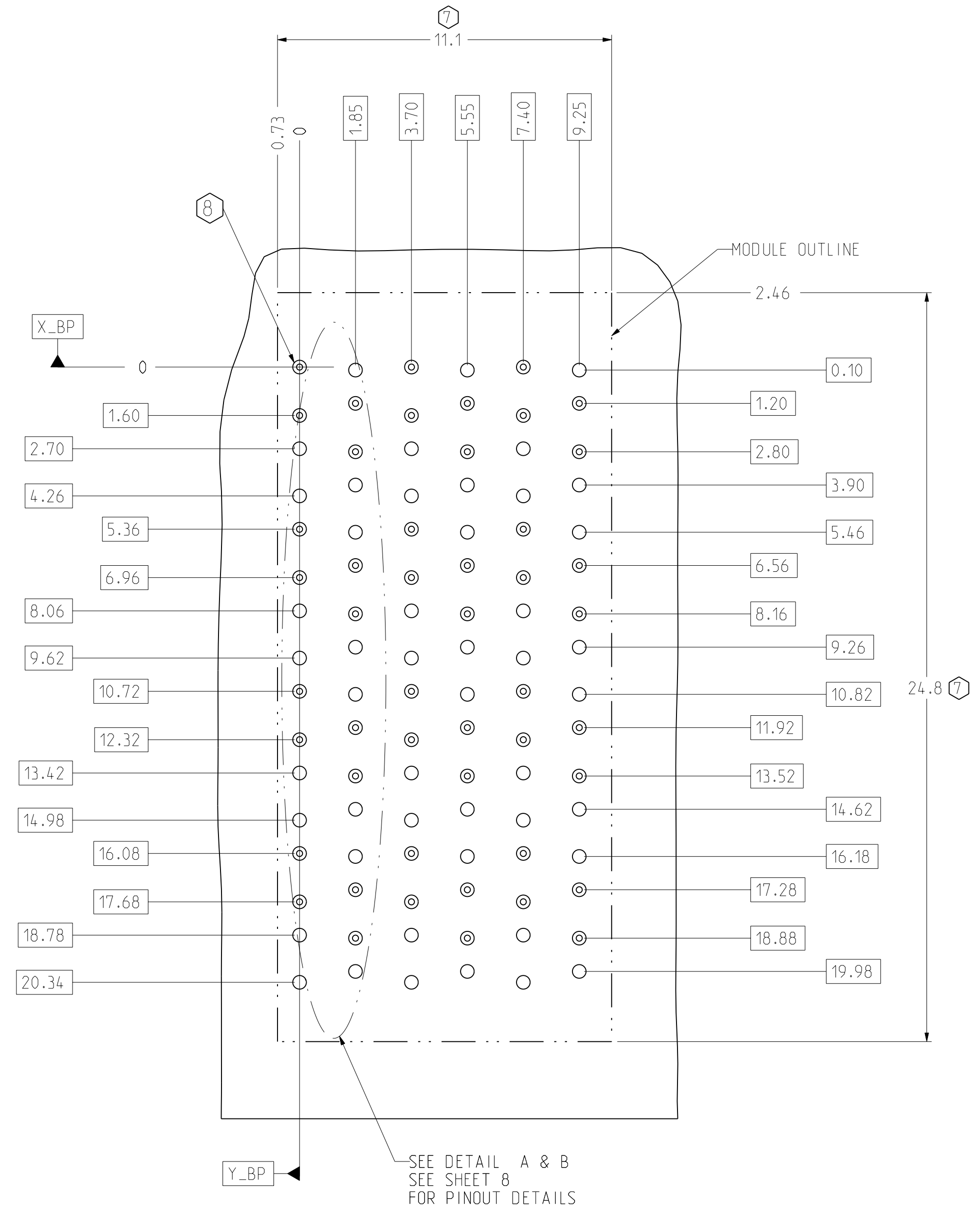
DATUMS X_BP AND Y_BP INTERSECT THE SIGNAL A1 VIA ON BACKPLANE



OPEN BACKPLANE MODULE DIMENSION



ISOMETRIC VIEW SCALE 4/1



BP HOLE PATTERN COMPONENT SIDE SCALE 8/1

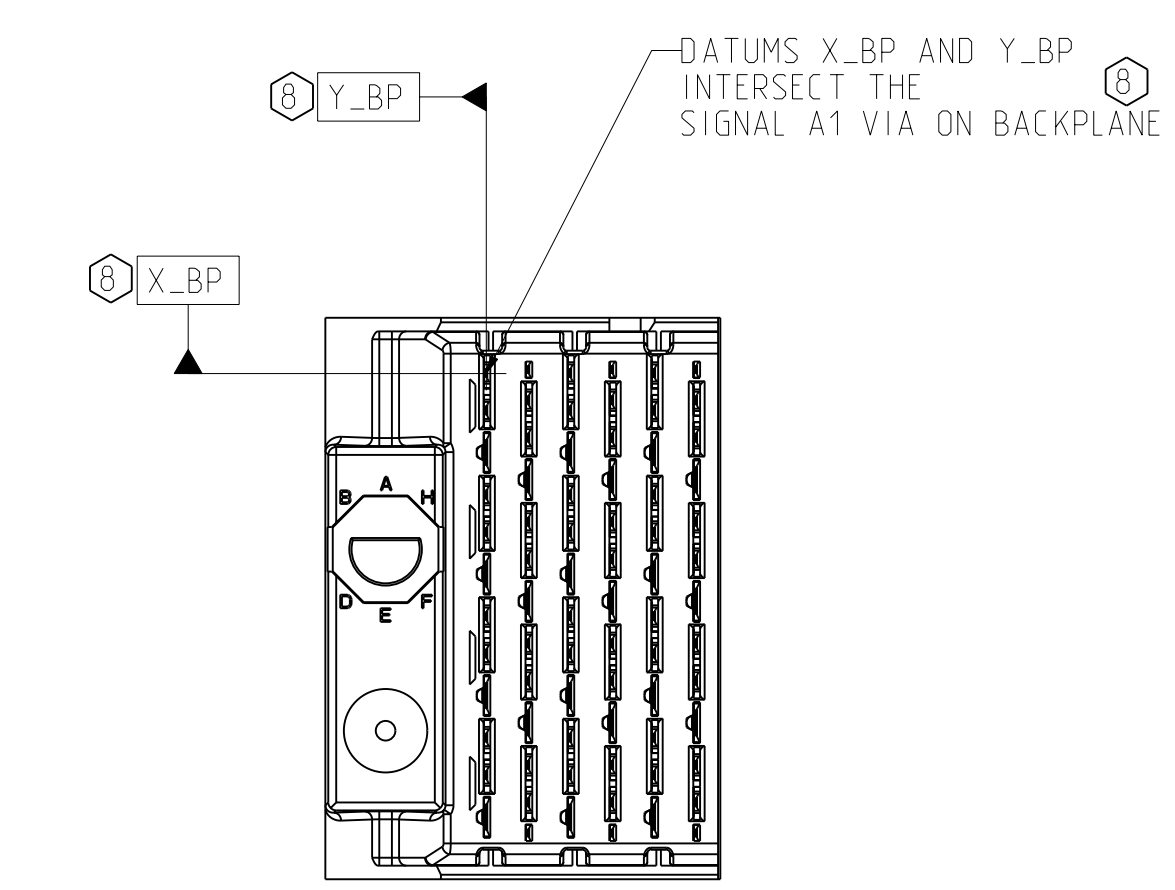
OPEN BACKPLANE FOOTPRINT

TOLERANCES		DESIGN 10/04/2006	Amphenol TCS	
0.0	±0.25	LEIGHTON	A Division of Amphenol Corporation	
0.00	±0.13	DRAWN 01/04/2006	200 Innovative Way, Nashua, NH 03062 603.879.3000	
0.000	± -	CHK 10/05/2006	TITLE	
ANGLES	± 3°	APVD 10/06/2006	BACKPLANE MODULES, VERTICAL MALE HEADER	
UNLESS OTHERWISE SPECIFIED DIMENSIONS ARE IN MM. DECIMAL MARKER IS PERIOD			XCede, 4 PAIR 6 POSITION	
INTERPRET PER ASME Y14.5M			PART NO.	SEE PN TREE SHEET 1
CODE IDENT 31413			DRAWING NO.	C951-400C-500
CUSTOMER USE DRAWING			PROE ASSEM	C951-4-BP4
			SCALE	4/1
			SIZE	D
			SHEET	2 OF 8

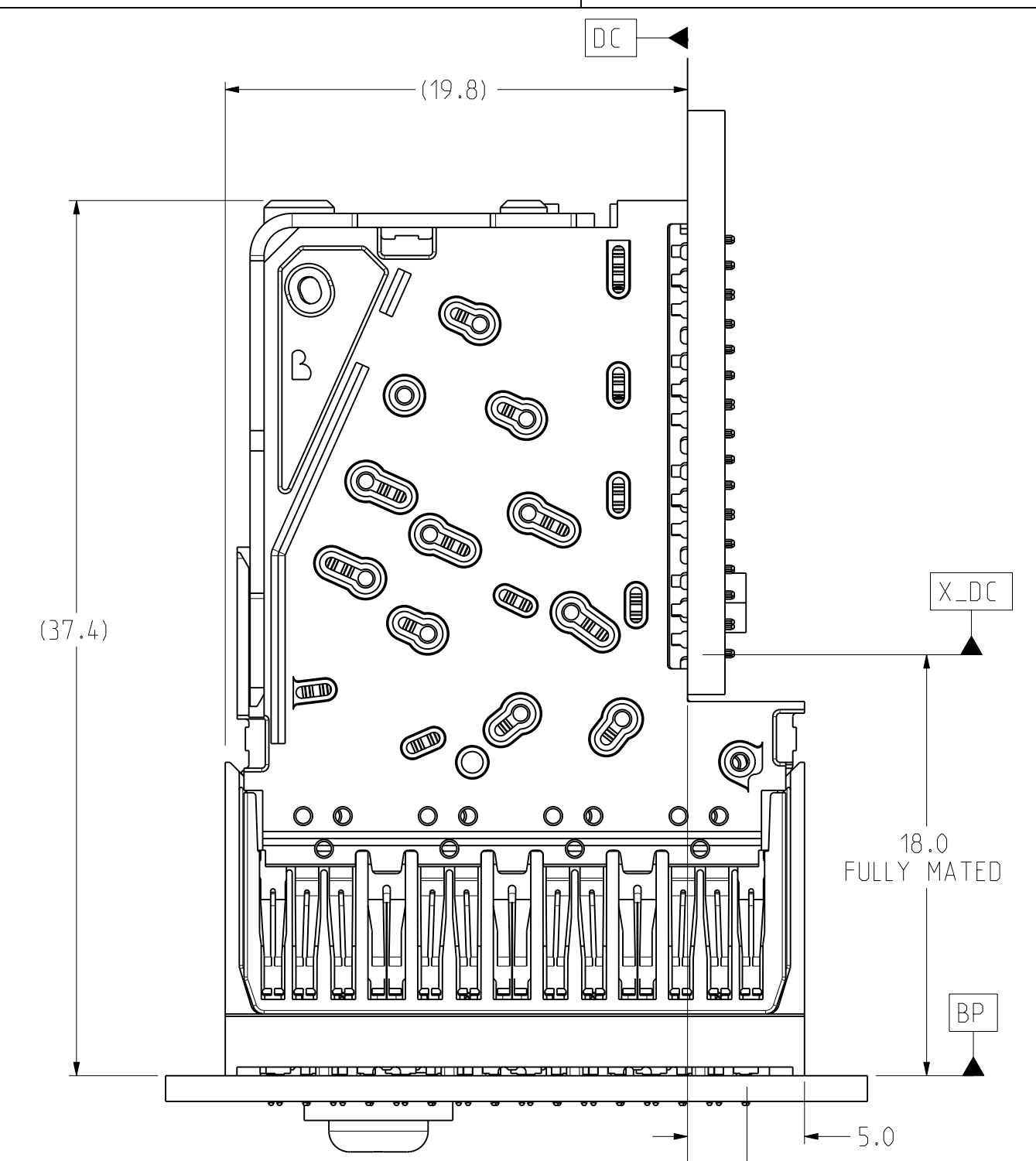
DRW NO. C951-400C-500

SH 2 REV B

ZONE	REV	SCR NUMBER	DESCRIPTION	BY	DATE	APPROVED
			SEE SHEET 1			

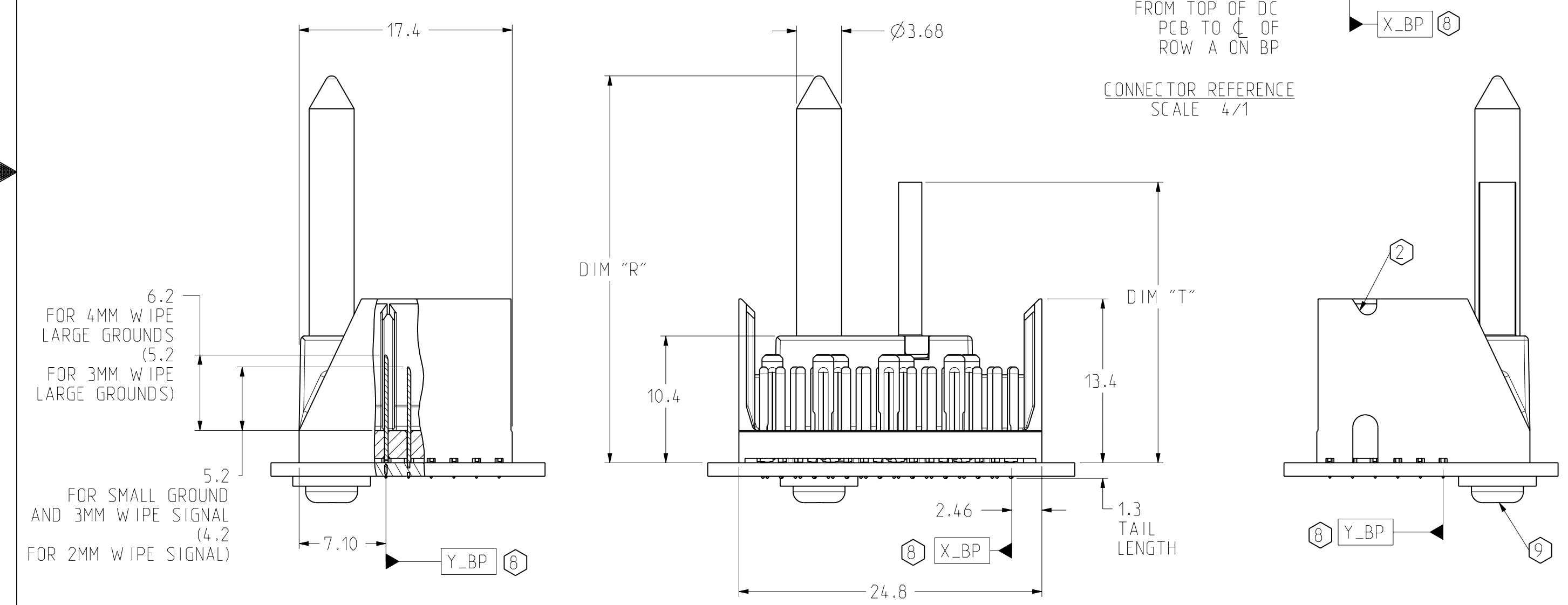


LEFT POLARIZING/GUIDE BACKPLANE MODULE DIMENSION

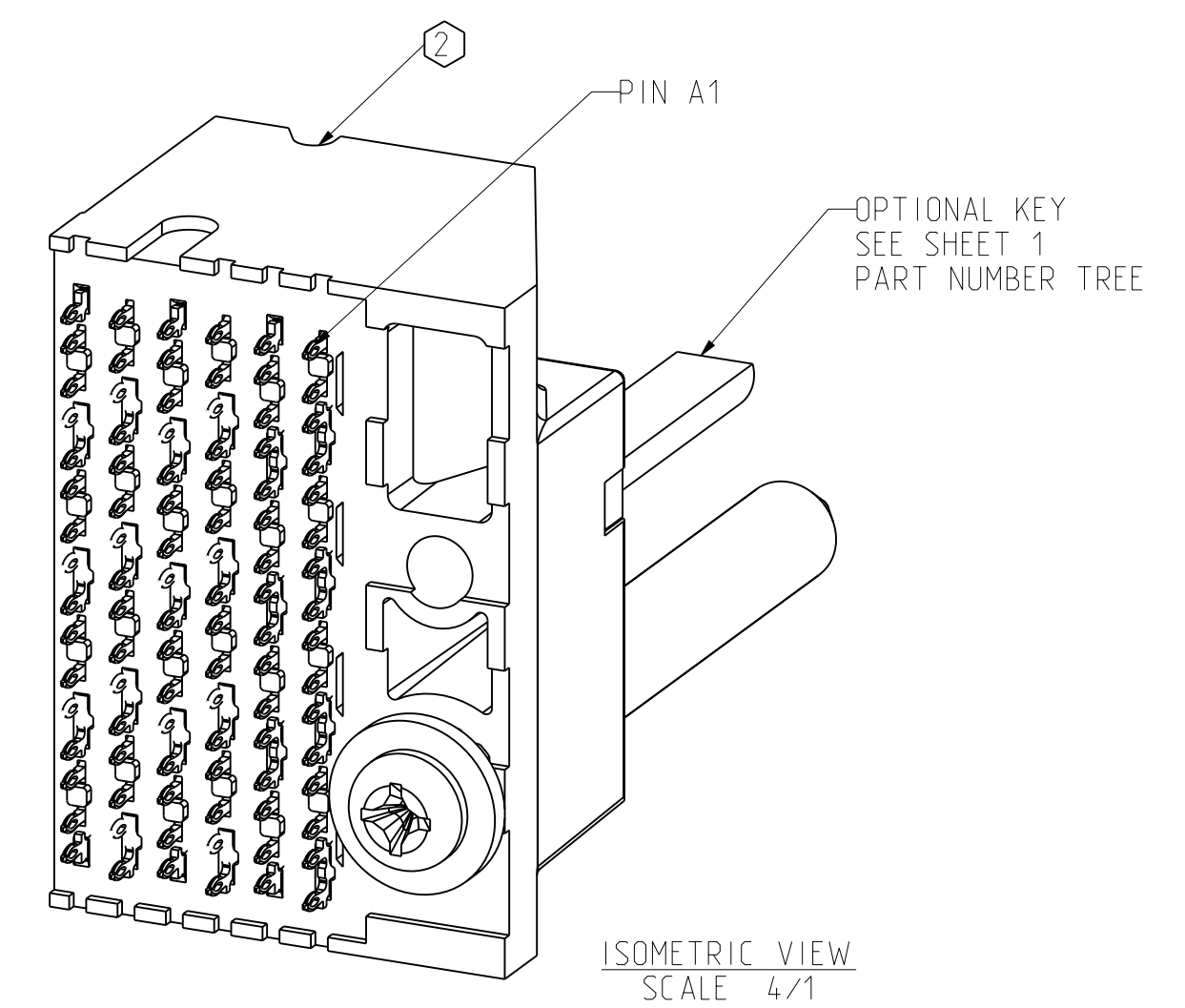


2.54 FROM TOP OF DC PCB TO C OF ROW A ON BP

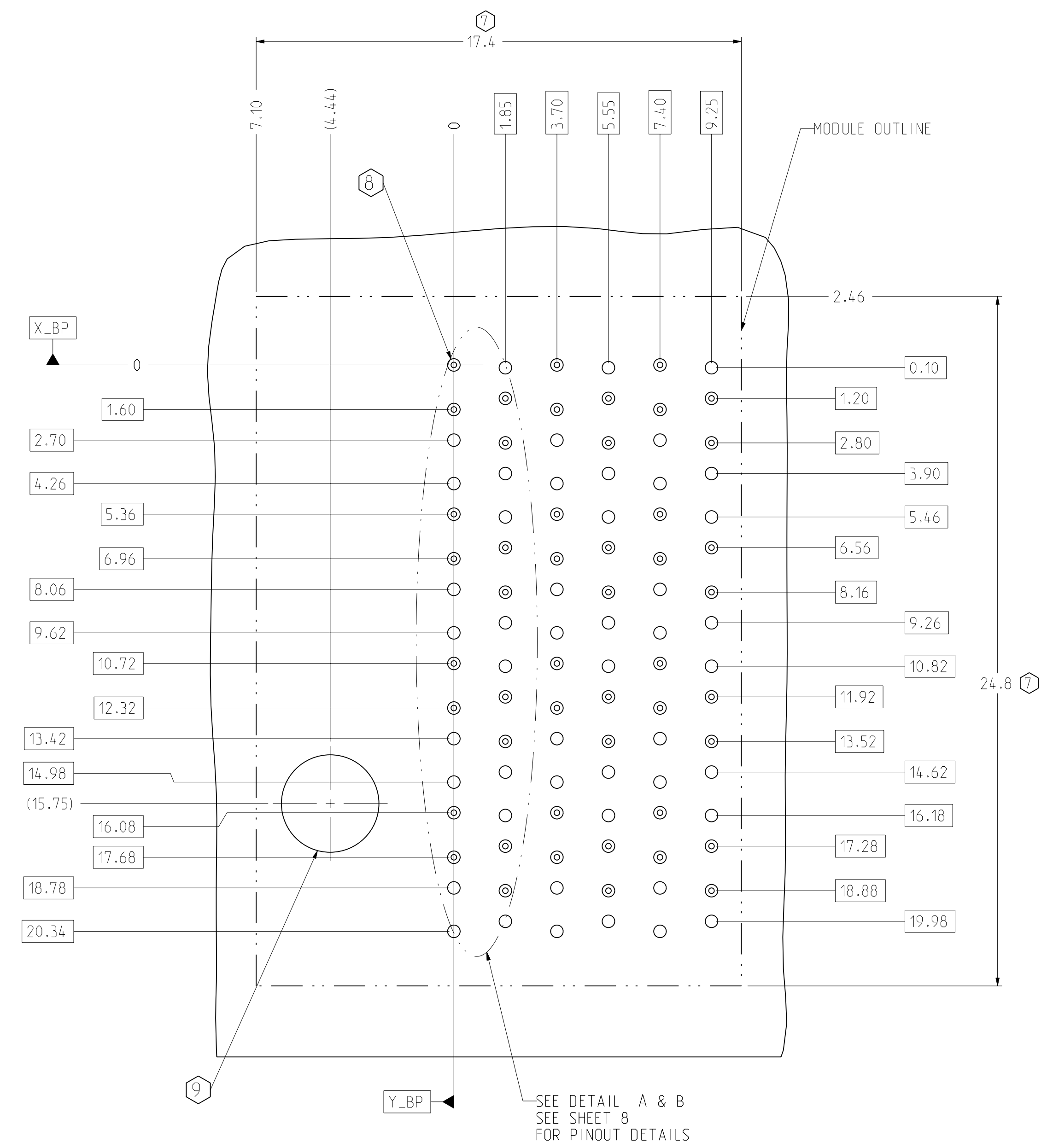
CONNECTOR REFERENCE SCALE 4/1



PART NUMBER	DIM "R"	DIM "T"
951-4X0C-X 0 X 951-4X0C-X 1 X	31.6	23.0
951-4X0C-X 4 X 951-4X0C-X 5 X	25.7	20.2



ISOMETRIC VIEW SCALE 4/1



BP HOLE PATTERN COMPONENT SIDE SCALE 8/1

LEFT POLARIZING/GUIDE BACKPLANE FOOTPRINT

TOLERANCES	DESIGN	DATE
0.0 ±0.25	10/04/2006	LEIGHTON
0.00 ±0.13	01/04/2006	LEIGHTON
0.000 ± -	10/05/2006	A.PFAHNL
ANGLES ± 3°	10/06/2006	A.PFAHNL

Amphenol TCS
A Division of Amphenol Corporation
200 Innovative Way, Nashua, NH 03062 603.879.3000

TITLE BACKPLANE MODULES, VERTICAL MALE HEADER
XCede, 4 PAIR 6 POSITION

UNLESS OTHERWISE SPECIFIED DIMENSIONS ARE IN MM. DECIMAL MARKER IS PERIOD
INTERPRET PER ASME Y14.5M
CODE IDENT 31413

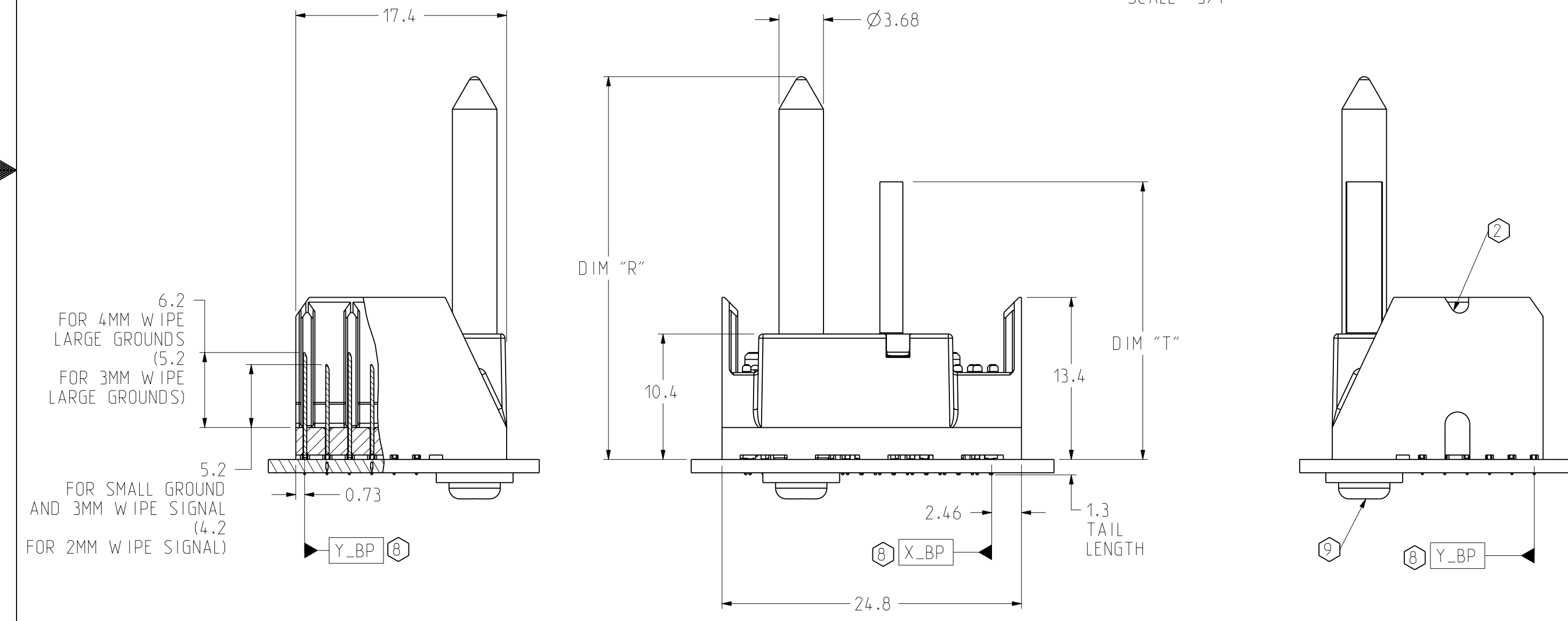
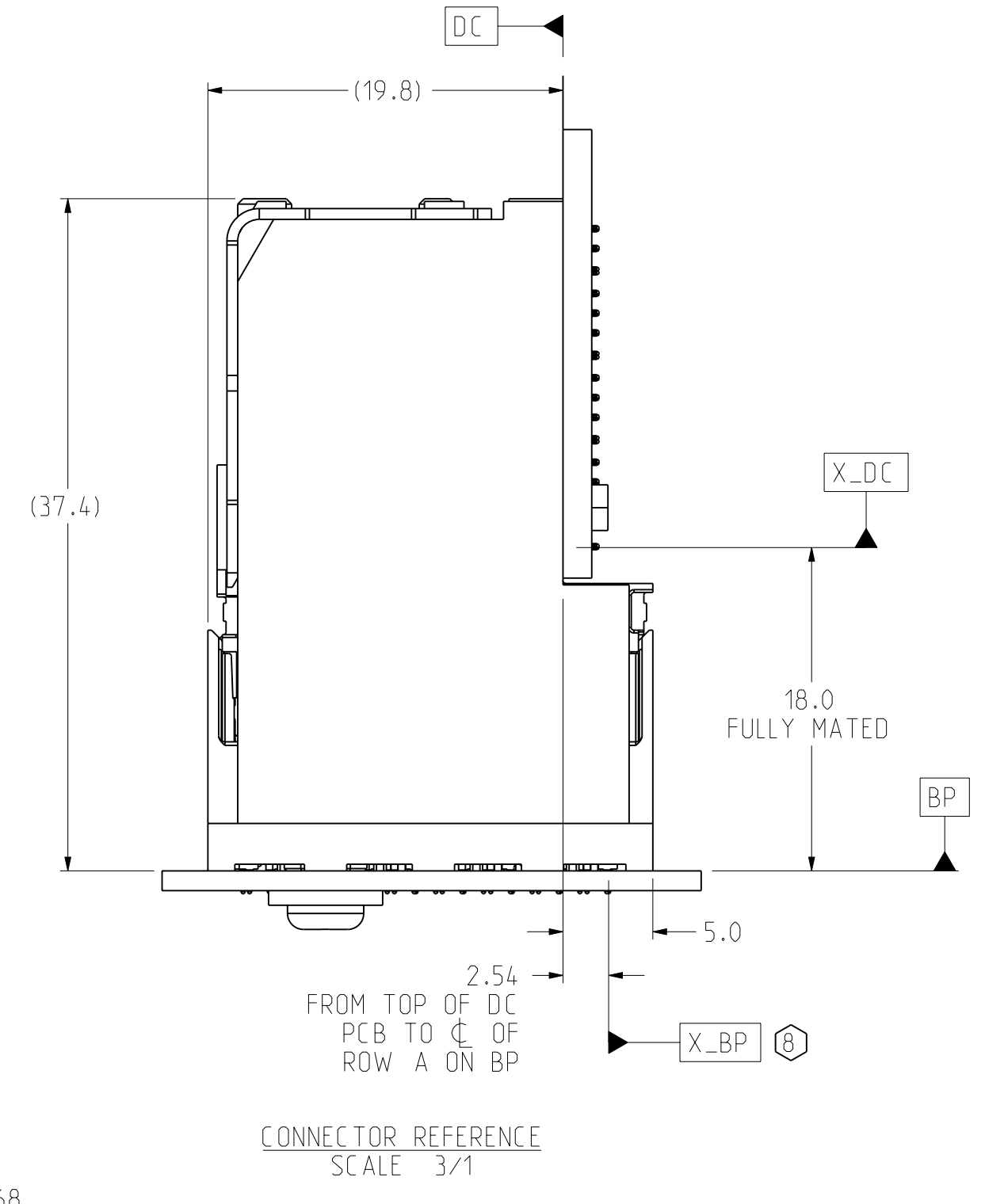
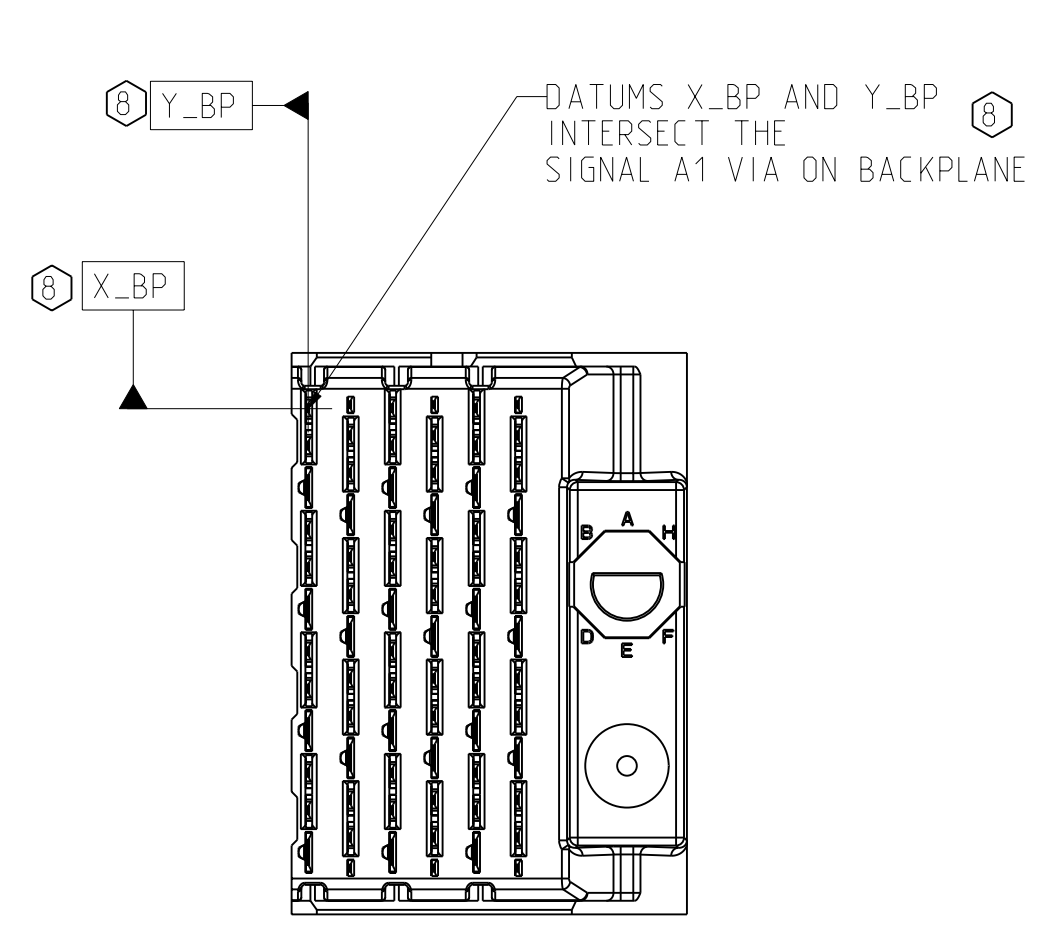
CUSTOMER USE DRAWING

PART NO. SEE PN TREE SHEET 1	REV N/A
DRAWING NO. C951-400C-500	REV B
ProE ASSEM C951-4-BP4 C951-400C-500.drw	14.7 B.O
SIZE D SCALE 4/1	SHEET 3 OF 8

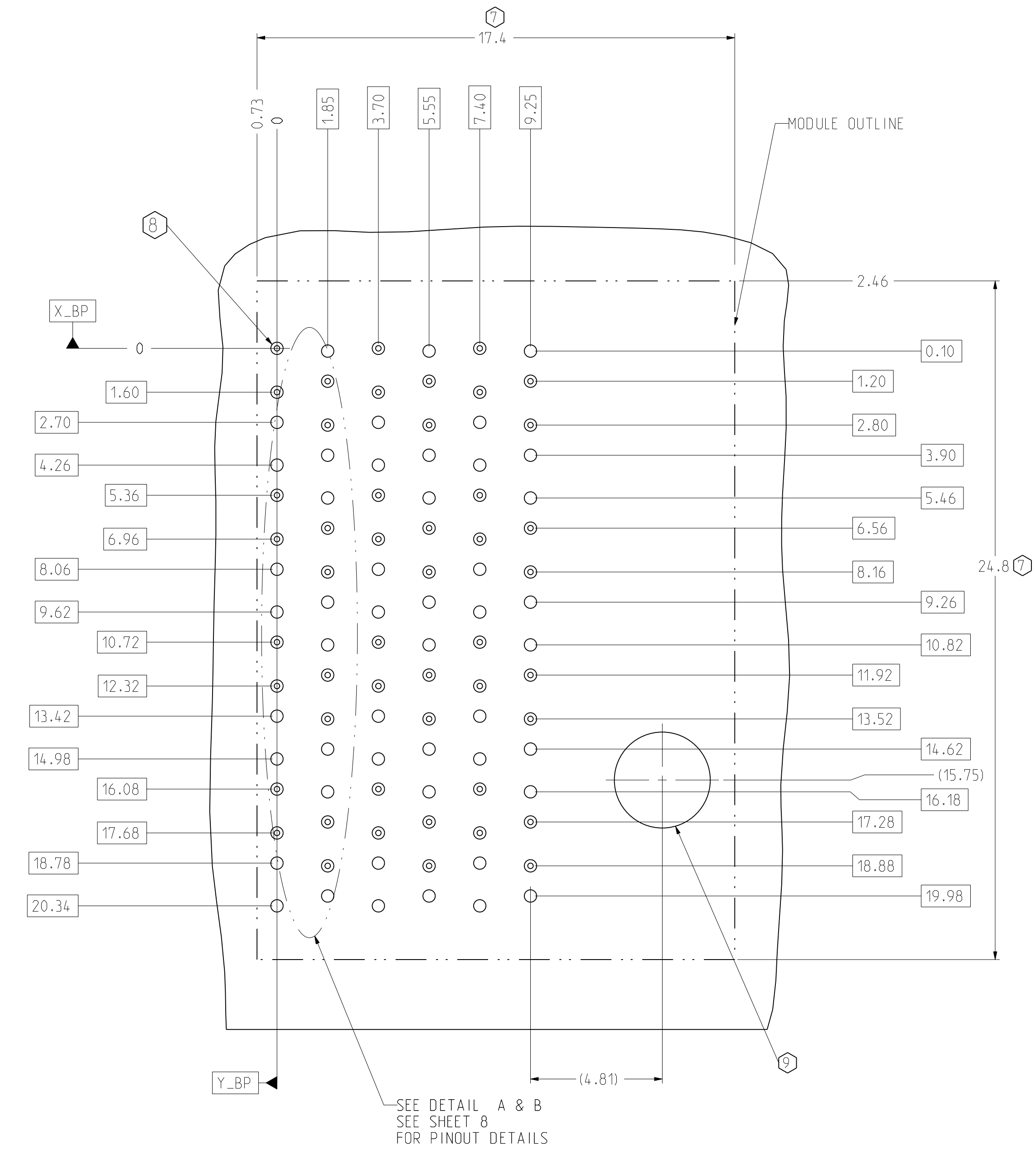
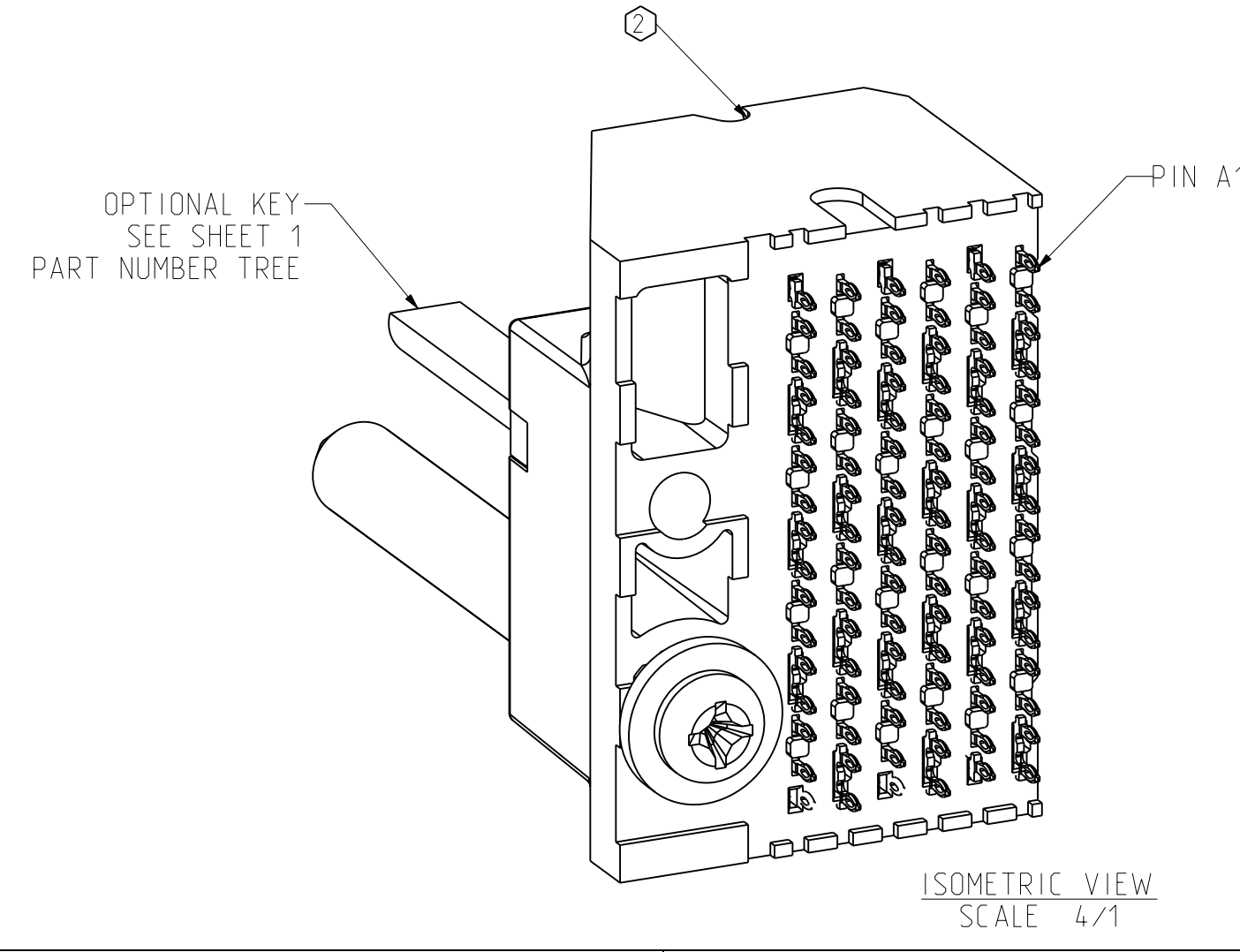
DRW NO. C951-400C-500

SH 3 REV B

RIGHT POLARIZING/GUIDE
BACKPLANE MODULE DIMENSION



PART NUMBER	DIM "R"	DIM "T"
951-4X0C-X 0 X 951-4X0C-X 1 X	31.6	23.0
951-4X0C-X 4 X 951-4X0C-X 5 X	25.7	20.2



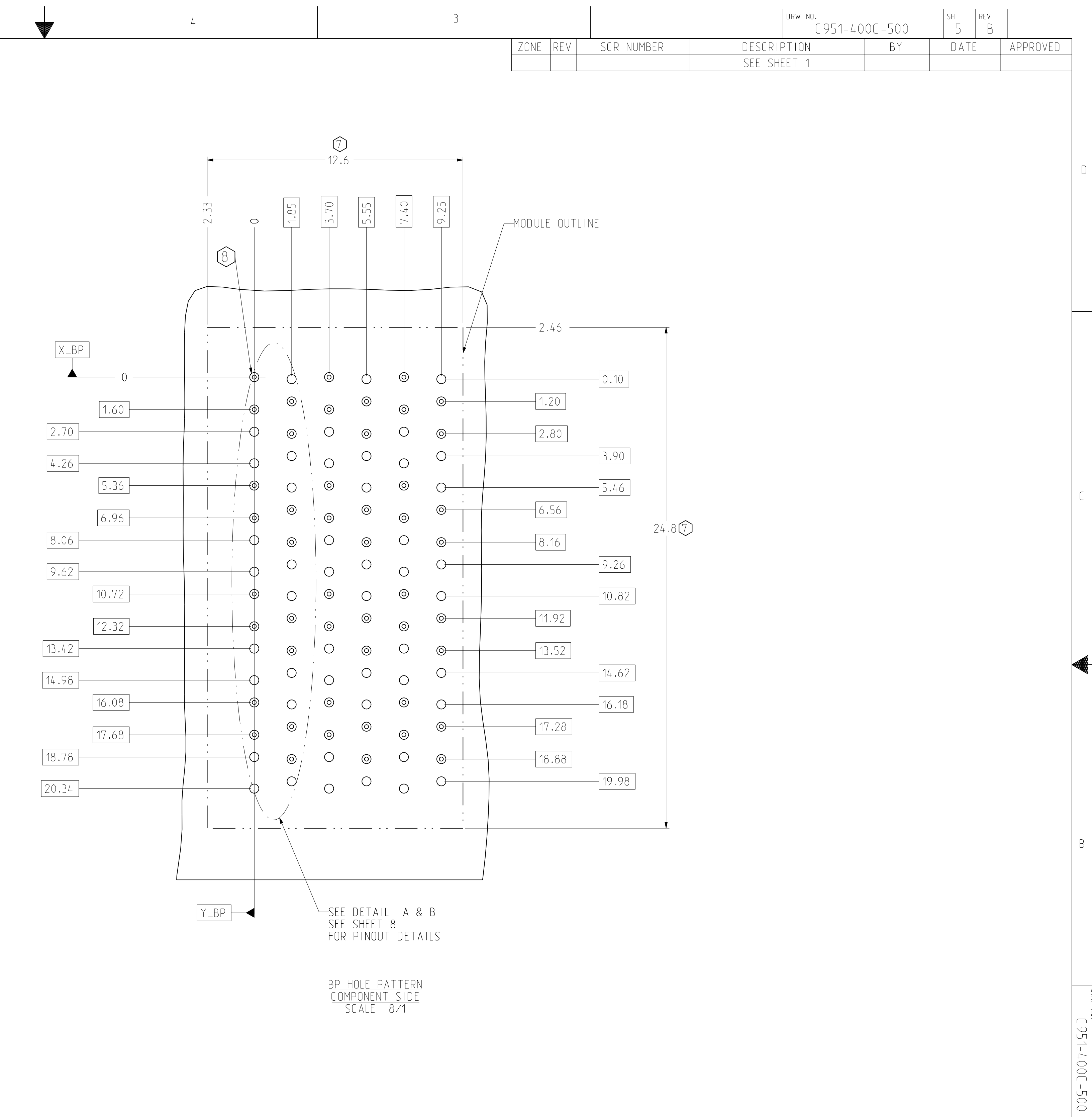
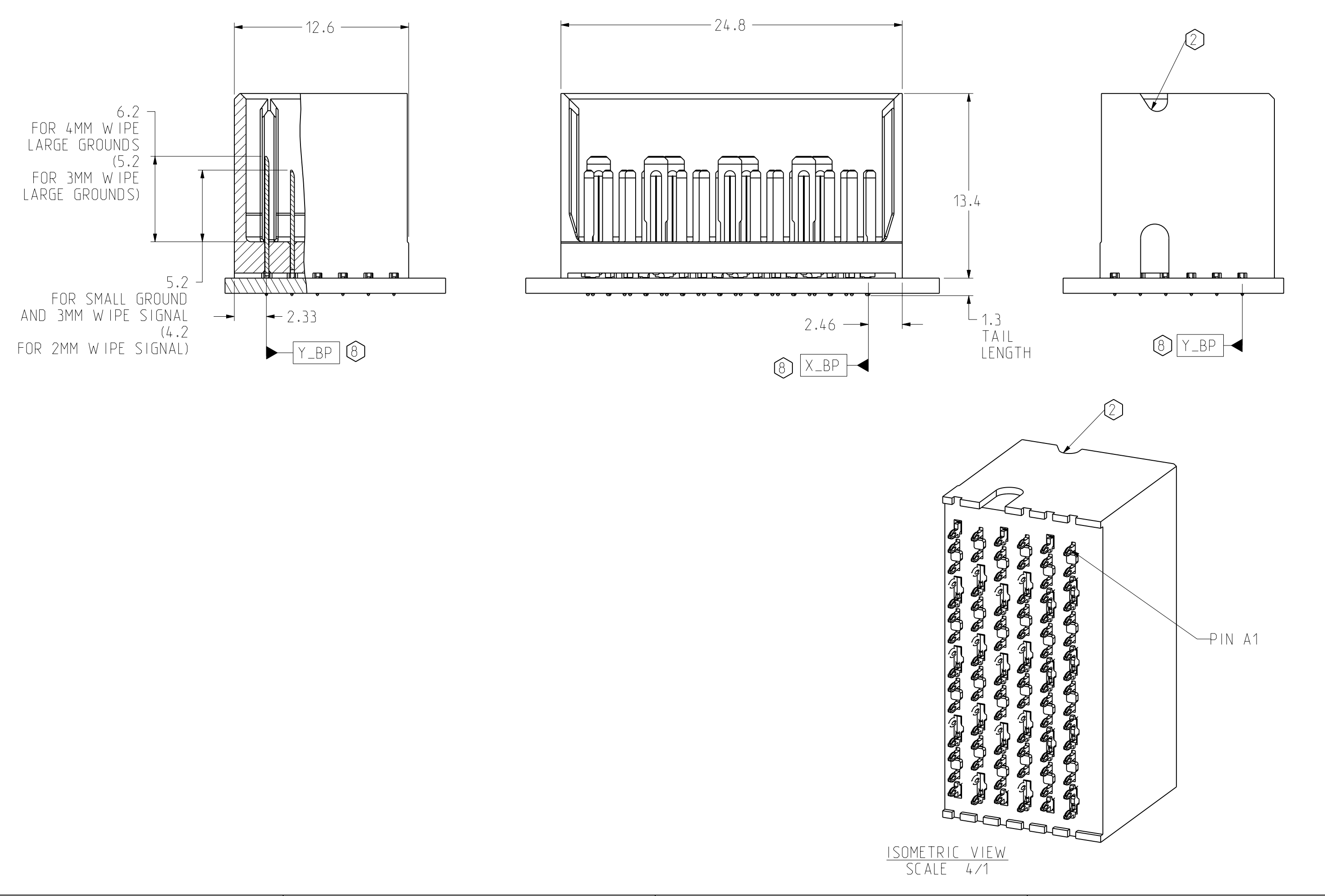
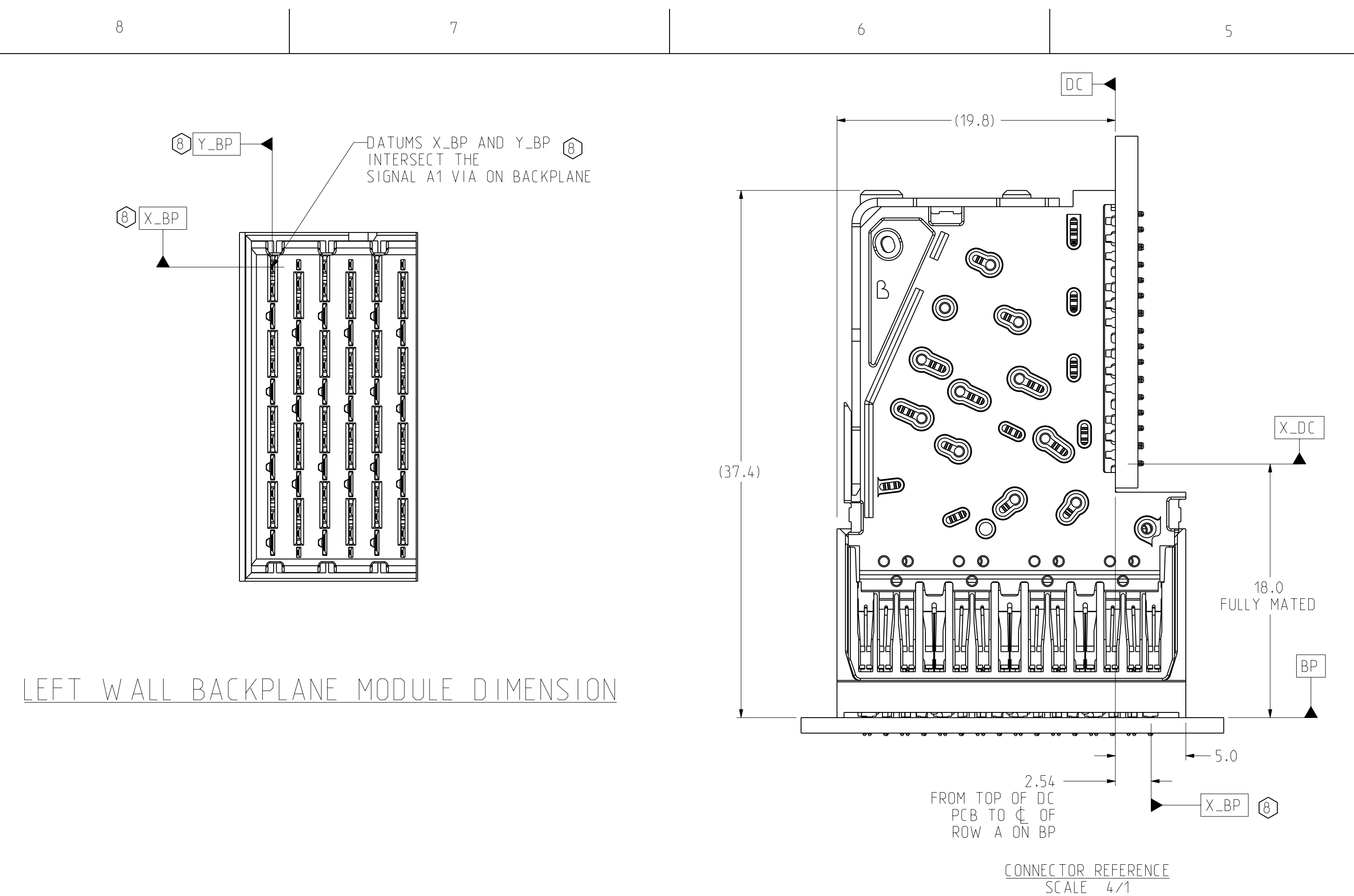
RIGHT POLARIZING/GUIDE
BACKPLANE FOOTPRINT

INTERPRET PER ASME Y14.5M
CODE IDENT 31413

TOLERANCES	DESIGN 10/04/2006 LEIGHTON	Amphenol TCS A Division of Amphenol Corporation 200 Innovative Way, Nashua, NH 03062 603.879.3000	TITLE	BACKPLANE MODULES, VERTICAL MALE HEADER XCede, 4 PAIR 6 POSITION
0.0 ±0.25	DRAWN 01/04/2006 LEIGHTON		PART NO.	SEE PN TREE SHEET 1
0.00 ±0.13	CHK 10/05/2006 A.PFAHNL		DRAWING NO.	C951-400C-500
0.000 ± -	APVD 10/06/2006 A.PFAHNL		PROJ ASSEM	C951-4-BP4 C951-400C-500.drw
ANGLES ± 3°	UNLESS OTHERWISE SPECIFIED DIMENSIONS ARE IN MM. DECIMAL MARKER IS PERIOD		SIZE	D SCALE 3/1 SHEET 4 OF 8
CUSTOMER USE DRAWING			REV	N/A
			REV	B
			DATE	14.7
			BY	B.O

DRAWING NO. C951-400C-500

SH 4 REV B



LEFT WALL BACKPLANE FOOTPRINT

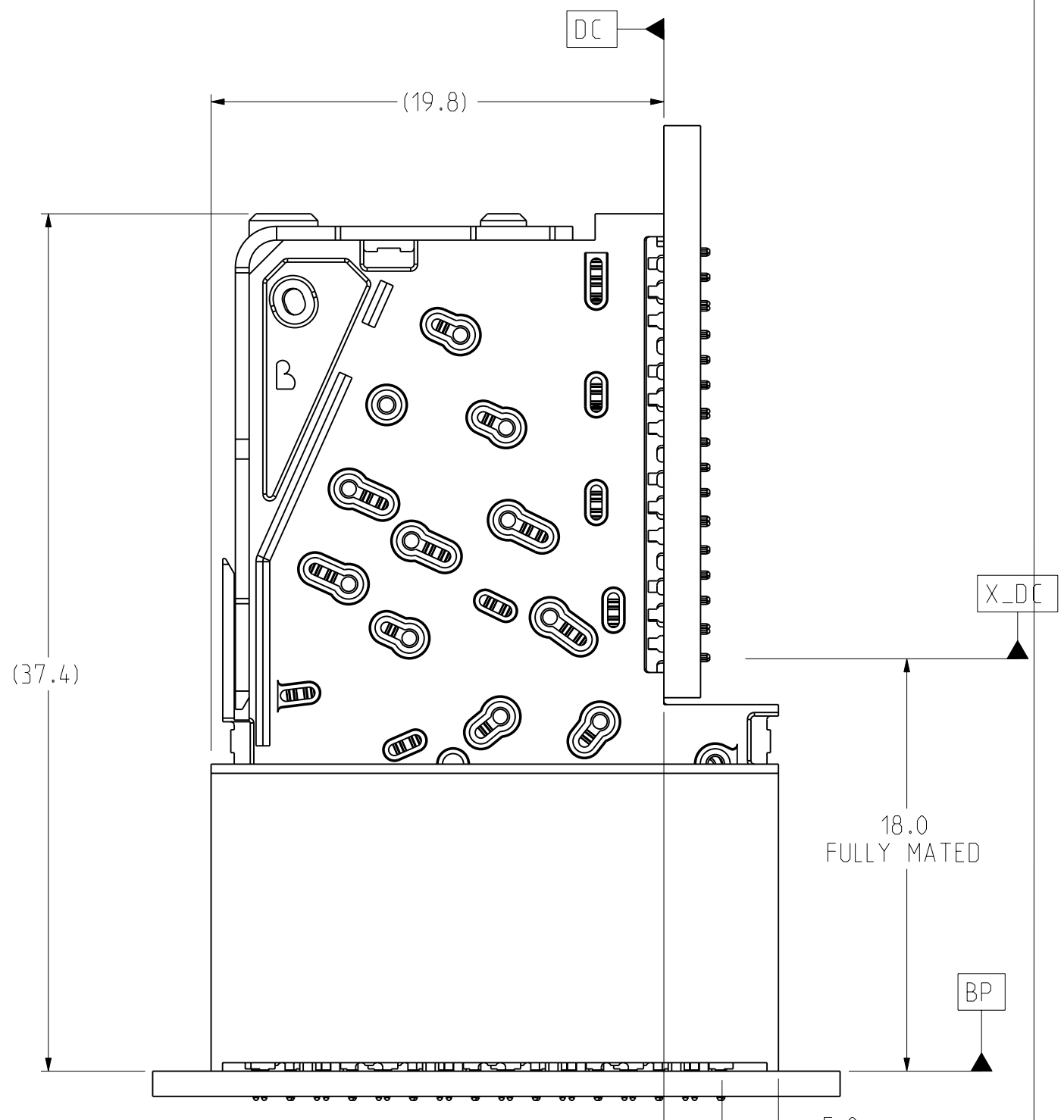
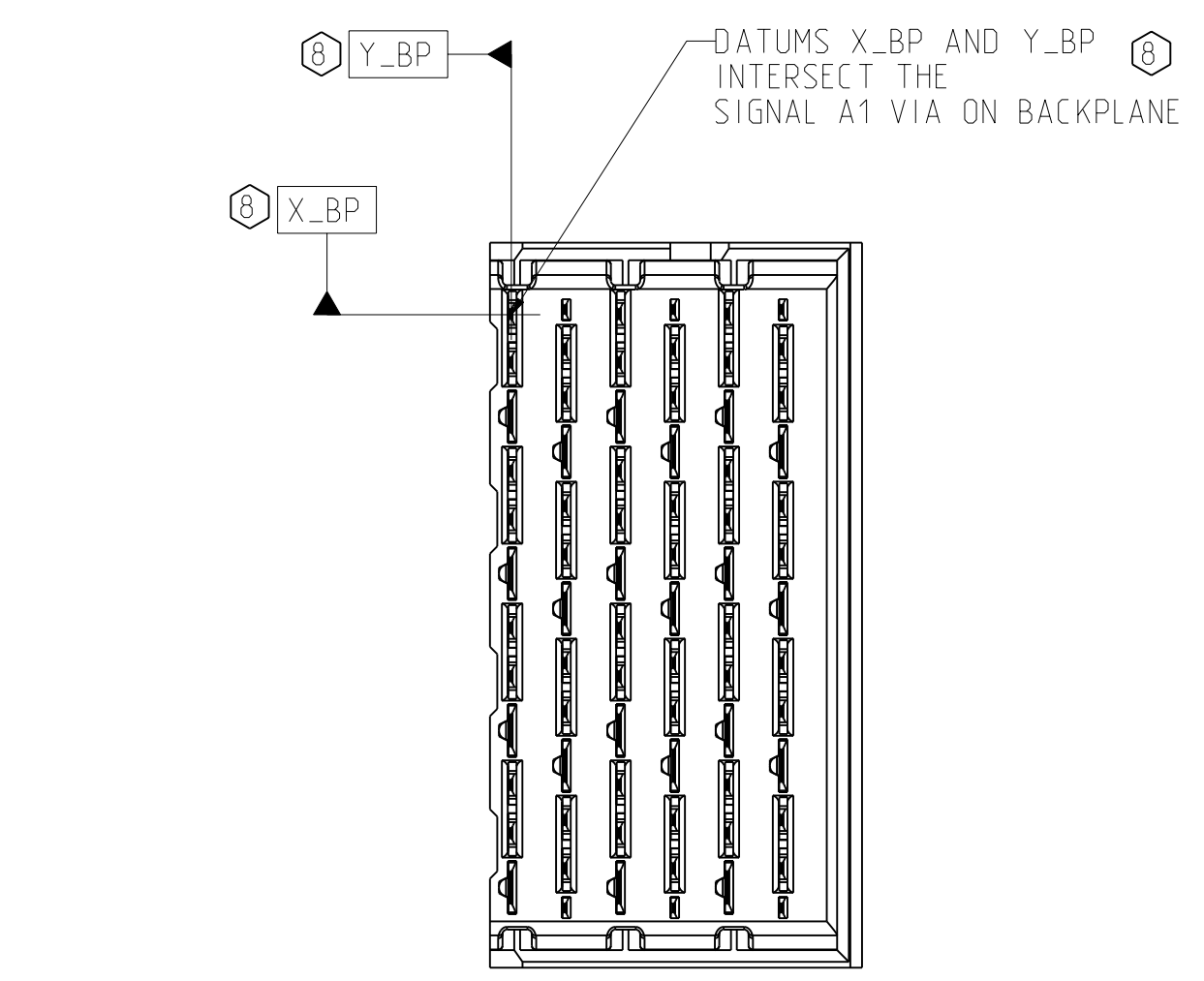
TOLERANCES		DESIGN 10/04/2006 LEIGHTON	Amphenol TCS A Division of Amphenol Corporation 200 Innovative Way, Nashua, NH 03062 603.879.3000	TITLE	
0.0	±0.25	DRAWN 01/04/2006 LEIGHTON		BACKPLANE MODULES, VERTICAL MALE HEADER	
0.00	±0.13	CHK 10/05/2006 A.PFAHNL		XCede, 4 PAIR 6 POSITION	
0.000	± -	APVD 10/06/2006 A.PFAHNL			
ANGLES ± 3°		PART NO. SEE PN TREE SHEET 1		REV N/A	
UNLESS OTHERWISE SPECIFIED DIMENSIONS ARE IN MM. DECIMAL MARKER IS PERIOD			DRAWING NO. C951-400C-500		REV B
CUSTOMER USE DRAWING			ProE ASSEM C951-4-BP4 C951-400C-500.drw		14.7 B.O
SIZE D	SCALE 4/1	SHEET 5 OF 8			

INTERPRET PER ASME Y14.5M
CODE IDENT 31413

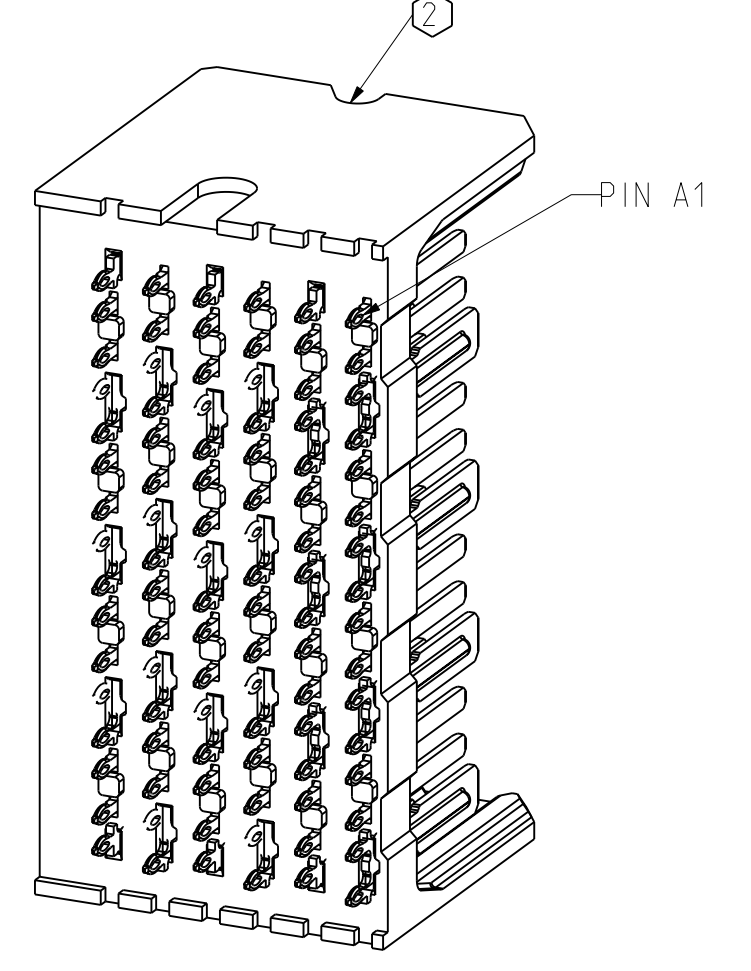
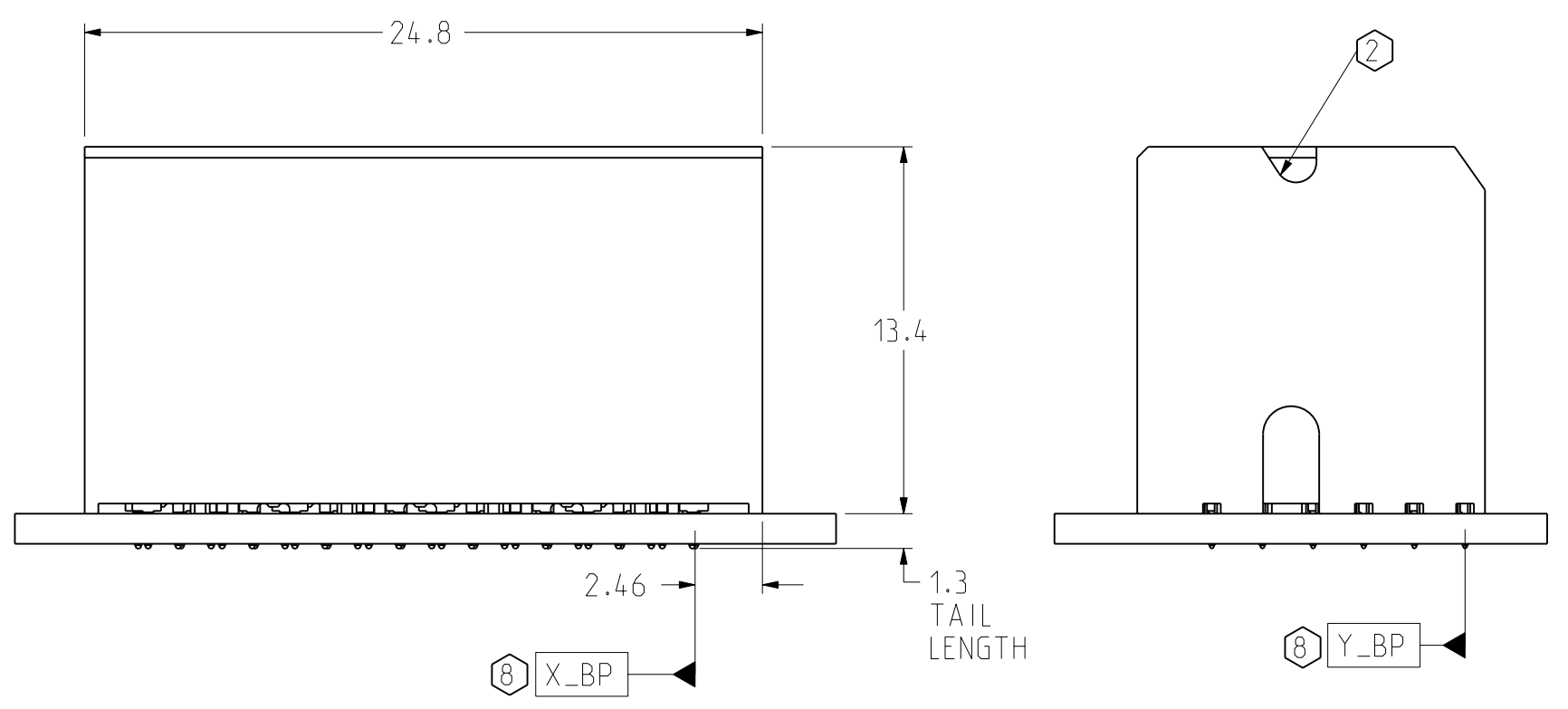
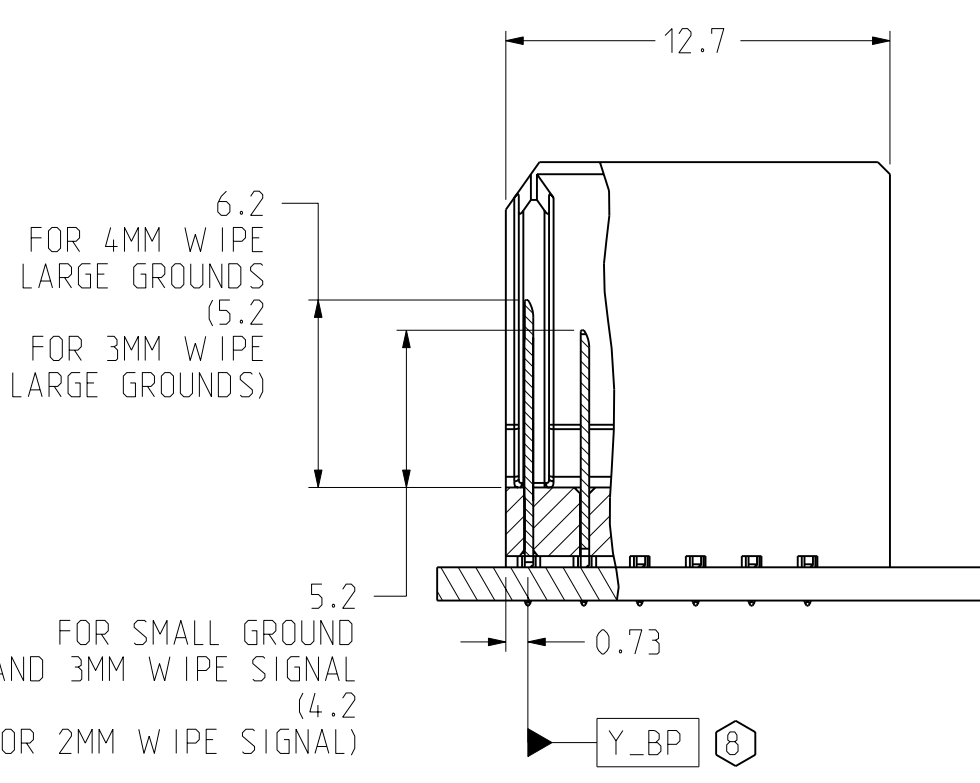
DRW NO. C951-400C-500

SH 5 REV B

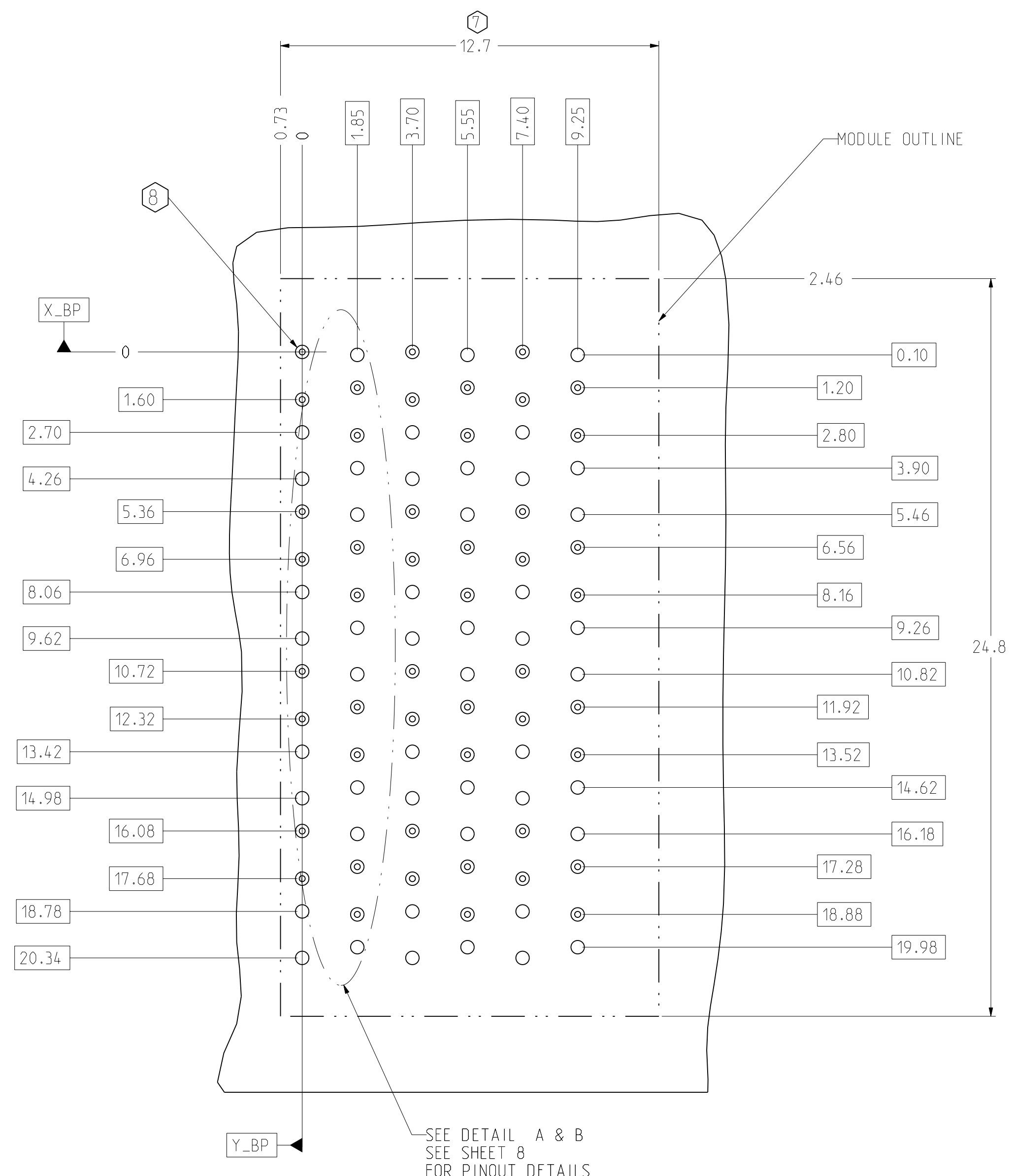
ZONE	REV	SCR NUMBER	DESCRIPTION	BY	DATE	APPROVED
			SEE SHEET 1			



RIGHT WALL BACKPLANE MODULE DIMENSION



ISOMETRIC VIEW SCALE 4/1



BP HOLE PATTERN COMPONENT SIDE SCALE 8/1

RIGHT WALL BACKPLANE FOOTPRINT

TOLERANCES		DESIGN	10/04/2006	LEIGHTON	
0.0	±0.25	DRAWN	01/04/2006	LEIGHTON	
0.00	±0.13	CHK	10/05/2006	A.PFAHNL	
0.000	± -	APVD	10/06/2006	A.PFAHNL	
ANGLES	± 3°	UNLESS OTHERWISE SPECIFIED DIMENSIONS ARE IN MM, DECIMAL MARKER IS PERIOD			

Amphenol TCS A Division of Amphenol Corporation 200 Innovative Way, Nashua, NH 03062 603.879.3000		TITLE BACKPLANE MODULES, VERTICAL MALE HEADER XCede, 4 PAIR 6 POSITION	
PART NO.	SEE PN TREE SHEET 1	REV	N/A
DRAWING NO.	C951-400C-500	REV	B
PROJ	ASSEM C951-4-BP4 C951-400C-500.drw	DATE	14.7 B.O
SIZE	D	SCALE	4/1
		SHEET 6 OF 8	

INTERPRET PER ASME Y14.5M
CODE IDENT 31413

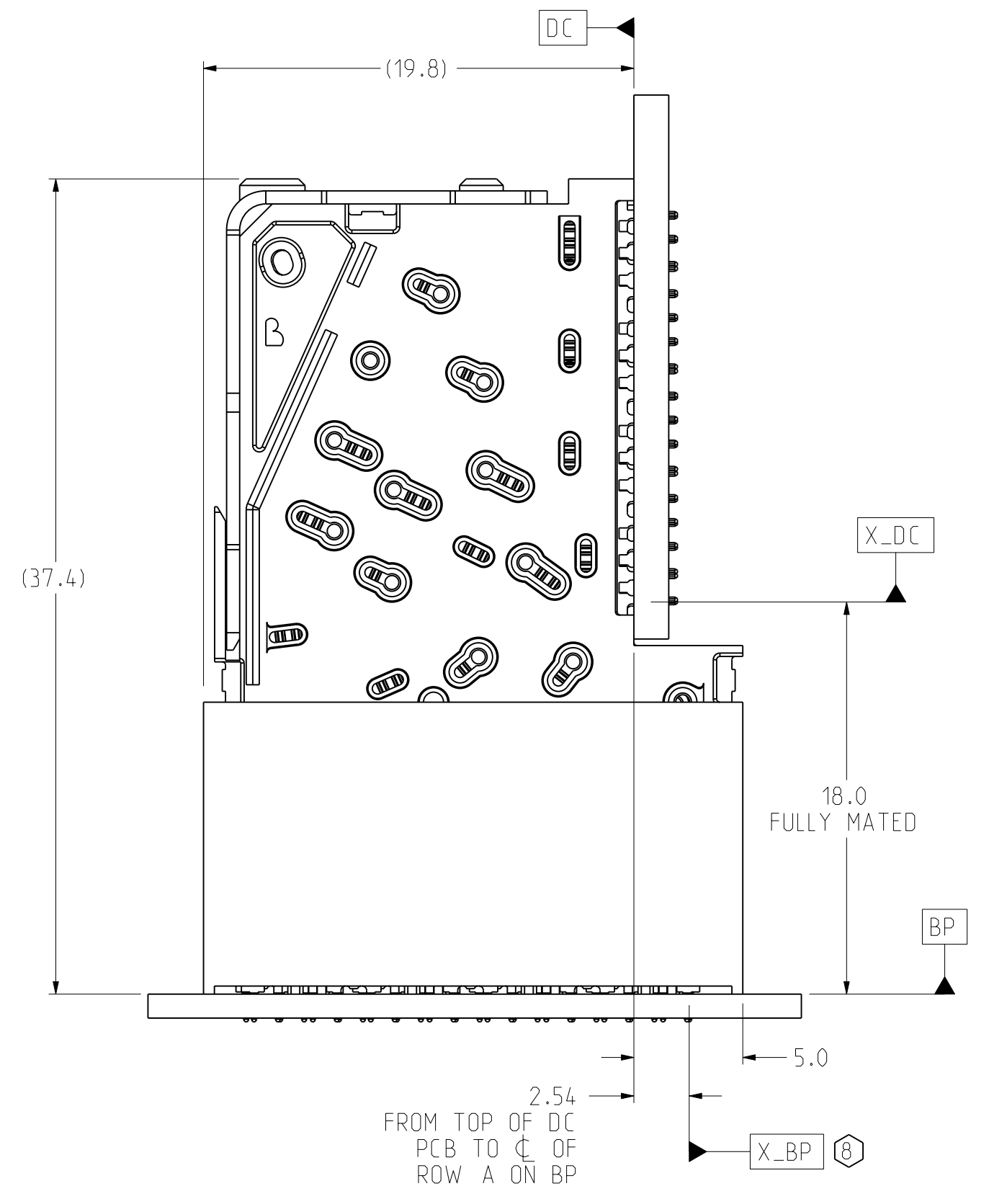
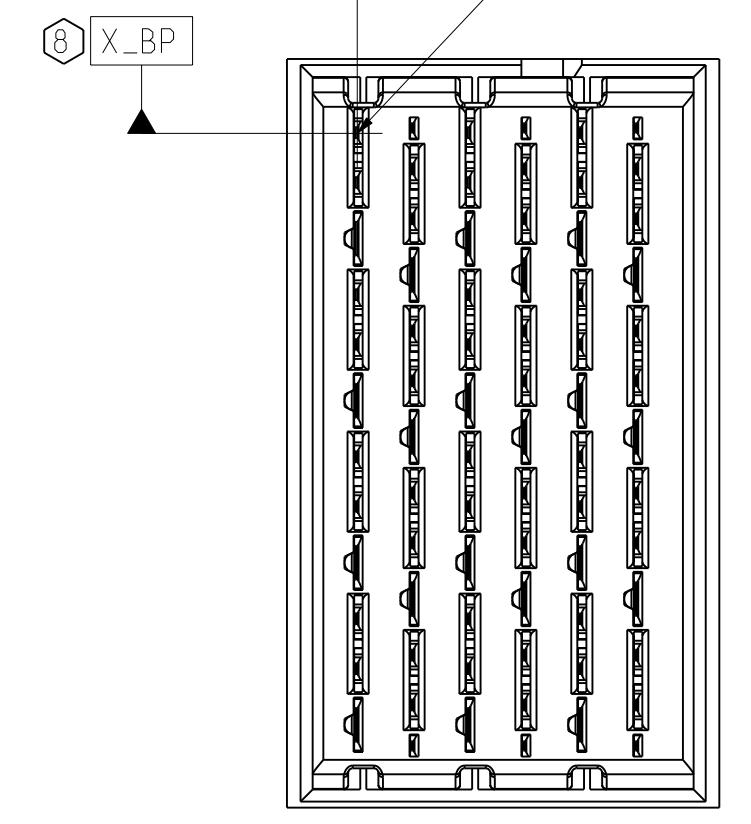
CUSTOMER USE
DRAWING

DRW NO. C951-400C-500

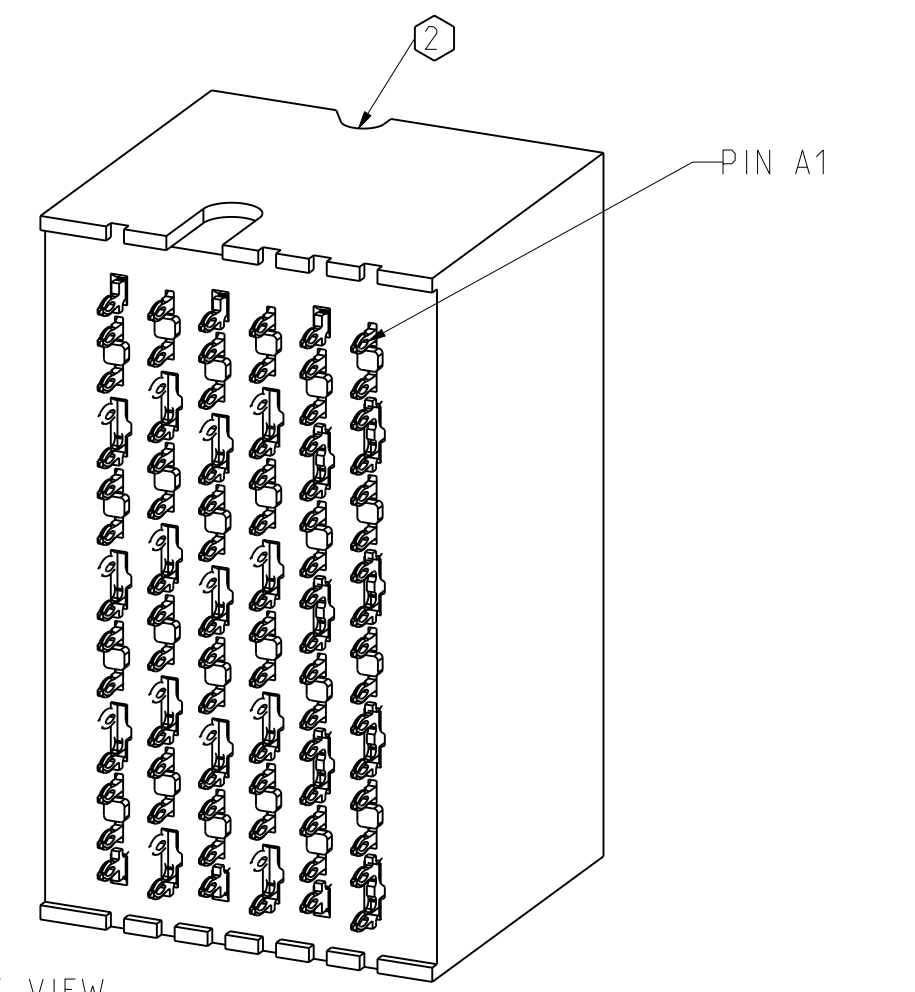
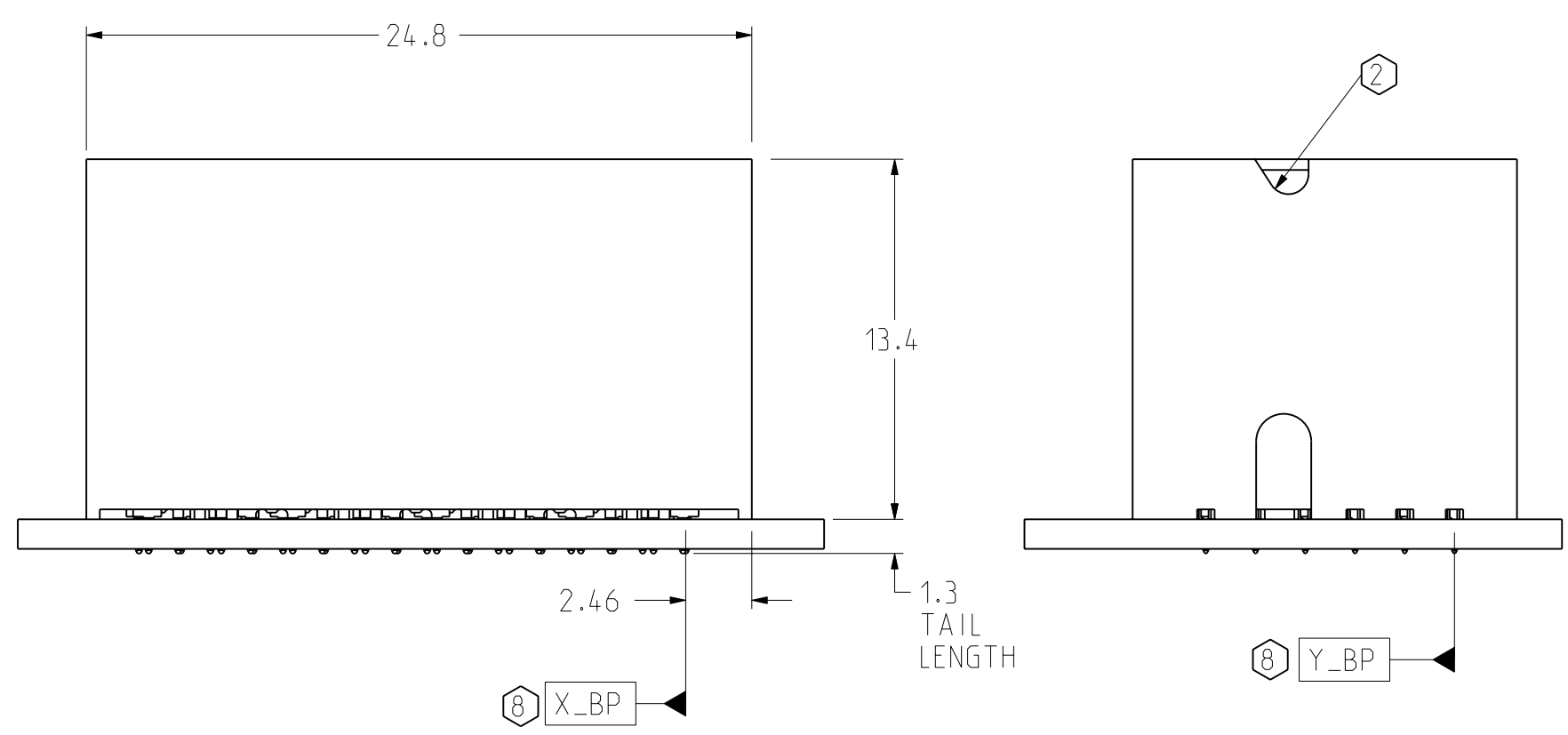
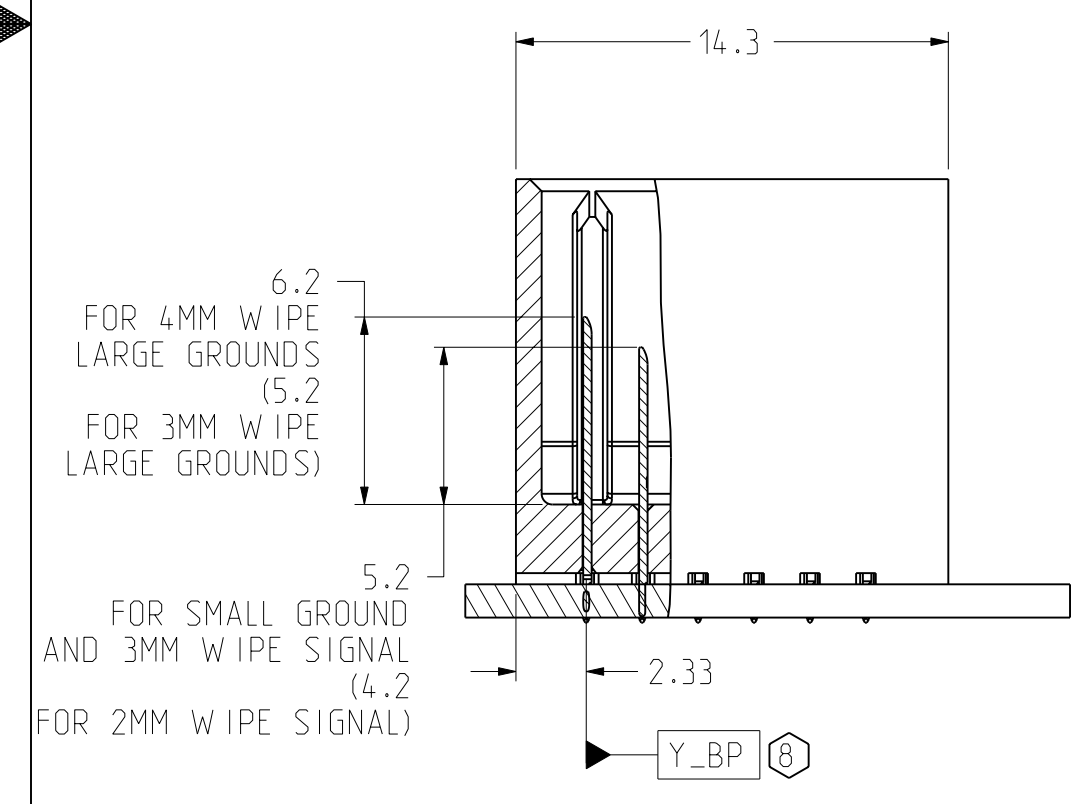
SH 6 REV B

ZONE	REV	SCR NUMBER	DESCRIPTION	BY	DATE	APPROVED
			SEE SHEET 1			

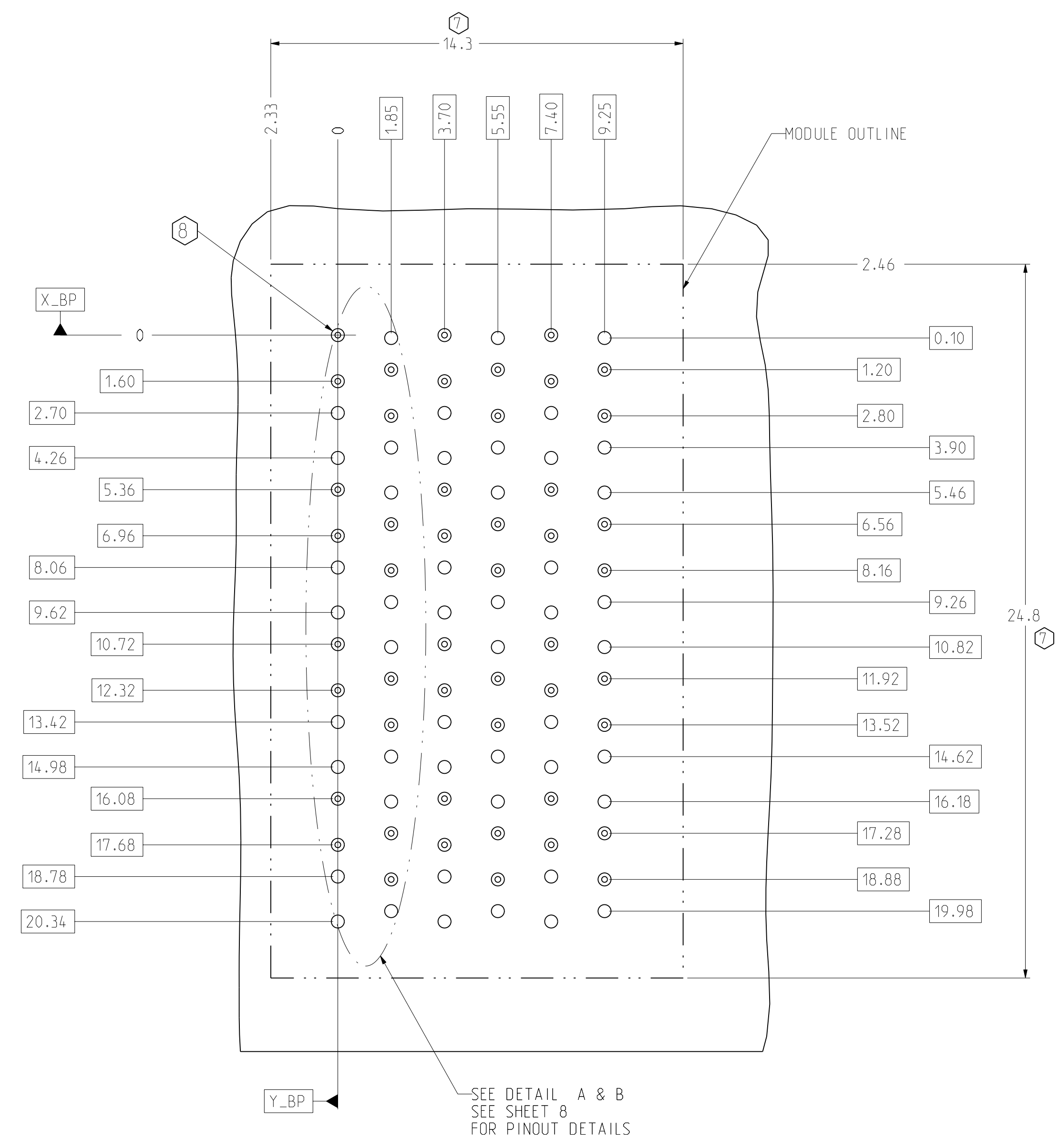
DATUMS X_BP AND Y_BP INTERSECT THE SIGNAL A1 VIA ON BACKPLANE



TWO WALL BACKPLANE MODULE DIMENSION



ISOMETRIC VIEW SCALE 4/1



SEE DETAIL A & B SEE SHEET 8 FOR PINOUT DETAILS

BP HOLE PATTERN COMPONENT SIDE SCALE 8/1

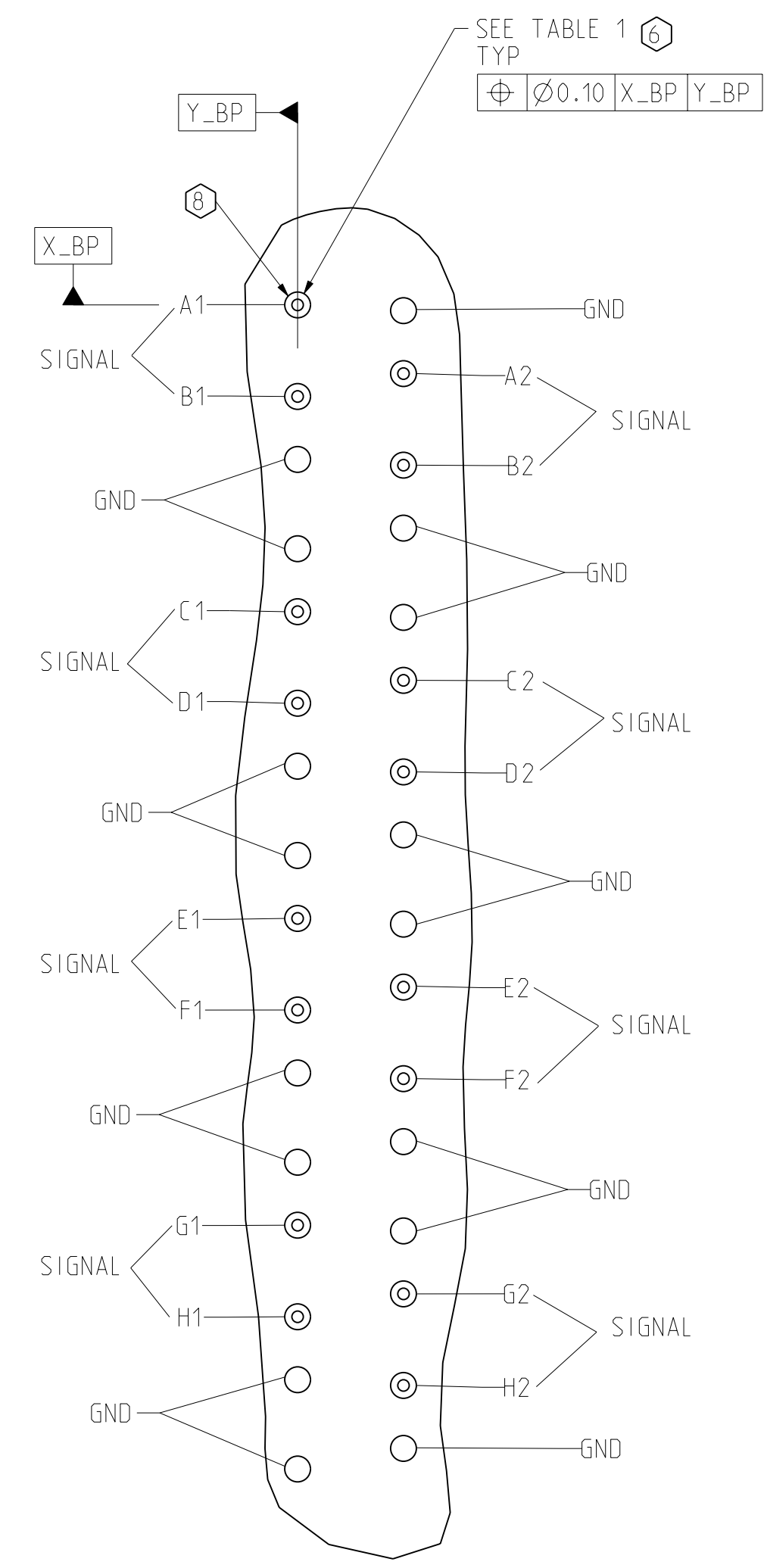
TWO WALL BACKPLANE FOOTPRINT

TOLERANCES		DESIGN 10/04/2006 LEIGHTON	Amphenol TCS A Division of Amphenol Corporation 200 Innovative Way, Nashua, NH 03062 603.879.3000	TITLE	
0.0	±0.25	DRAWN 01/04/2006 LEIGHTON		BACKPLANE MODULES, VERTICAL MALE HEADER	
0.00	±0.13	CHK 10/05/2006 A.PFAHNL		XCede, 4 PAIR 6 POSITION	
0.000	± -	APVD 10/06/2006 A.PFAHNL			
ANGLES ± 3°		PART NO. SEE PN TREE SHEET 1		REV N/A	
UNLESS OTHERWISE SPECIFIED DIMENSIONS ARE IN MM. DECIMAL MARKER IS PERIOD			DRAWING NO. C951-400C-500		
INTERPRET PER ASME Y14.5M			ProE ASSEM C951-4-BP4		
CODE IDENT 31413			C951-400C-500.drw		
CUSTOMER USE DRAWING			SIZE D	SCALE 4/1	
			SHEET 7 OF 8		

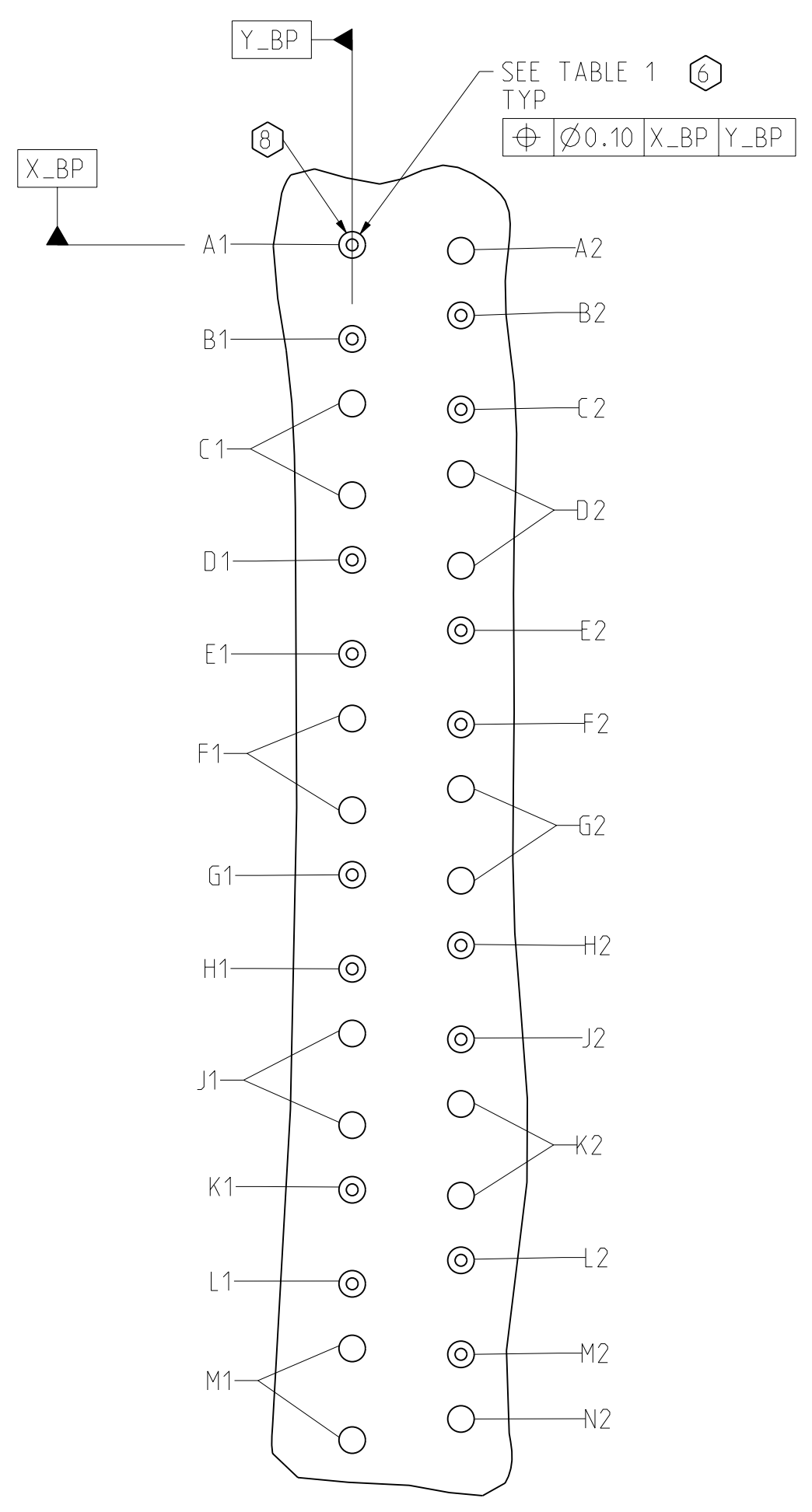
DRW NO. C951-400C-500

SH 7 REV B

ZONE	REV	SCR NUMBER	DESCRIPTION	BY	DATE	APPROVED
			SEE SHEET 1			



DETAIL A
HSD PINOUTS
SCALE 10/1



DETAIL B
LC PINOUTS
SCALE 10/1

	COMPLIANT PIN DRILL $\varnothing 0.0217''$	COMPLIANT PIN DRILL $\varnothing 0.0177''$
PTH	$\varnothing 0.45 \pm 0.05$	$\varnothing 0.36 \pm 0.05$
DRILL	$\varnothing 0.55 [0.0217'']$	$\varnothing 0.45 [0.0177'']$
PAD	$\varnothing 0.85$	$\varnothing 0.75$

TOLERANCES		DESIGN 10/04/2006 LEIGHTON	Amphenol TCS A Division of Amphenol Corporation 200 Innovative Way, Nashua, NH 03062 603.879.3000	TITLE	BACKPLANE MODULES, VERTICAL MALE HEADER XCede, 4 PAIR 6 POSITION	
0.0	± 0.25	DRAWN 01/04/2006 LEIGHTON		PART NO.	SEE PN TREE SHEET 1	REV N/A
0.00	± 0.13	CHK 10/05/2006 A.PFAHNL		DRAWING NO.	C951-400C-500	REV B
0.000	$\pm -$	APVD 10/06/2006 A.PFAHNL		UNLESS OTHERWISE SPECIFIED DIMENSIONS ARE IN MM. DECIMAL MARKER IS PERIOD	ProE ASSEM C951-4--BP4 C951-400C-500.drw	14.7 B.0
ANGLES	$\pm 3^\circ$		CUSTOMER USE DRAWING		SIZE D SCALE 4/1 SHEET 8 OF 8	

INTERPRET PER ASME Y14.5M
CODE IDENT 31413

C951-400C-500

SH 8 REV B

X-ON Electronics

Largest Supplier of Electrical and Electronic Components

Click to view similar products for [amphenol manufacturer](#):

Other Similar products are found below :

[CTV06RGQF-17-52P](#) [CTVPS00RGF-23-6P-LC](#) [GC835TY2S](#) [CF-509621-29P](#) [BF8-1218-31SV-Y70](#) [TVP00RGW-23-6SA\(LC\)](#)
[RNJ27CI1535P014](#) [10-553998-139](#) [21-033388-031](#) [10-507142-843](#) [MS27473P14B18S](#) [GTC06G32-76PY-B30-LC](#) [GTC06G32-76PY-LC](#)
[GTC06G32-76PY](#) [GTC06G32-76P-B30-LC](#) [GTS06G-32-7S](#) [GTC06-36-78PX-023](#) [ACC02E28-51S-003-B30-LC](#) [TV06RL-13-35SD-LC](#)
[TV06RL-13-35SD](#) [TV06RL-13-98SD-LC](#) [TV06RL-13-98SD](#) [TV07RW-15-5BE](#) [AIB6-36-78PC-025](#) [GTC06G32-76PW-LC](#) [GTC06G32-](#)
[76PX-LC](#) [GTC06G32-76PZ-B30-LC](#) [GTC06G32-76PX-B30-LC](#) [GTC08AF32-15SX-B30-LC](#) [GTC06G32-76PZ](#) [GTC06G32-76PX](#)
[GTC030F14S-2S-025-B30](#) [TVP00RW-23-53AD](#) [TV07RW1597PE](#) [100-007-213-002-001](#) [5M30-61](#) [FSPP-103-00-004](#) [360031](#) [10-037090-](#)
[161](#) [10-541504-001](#) [10-580902-409](#) [TV97RW-9-9S\(S15\)](#) [TVPS00RGF-9-5P-LC](#) [TVPS00RGF-9-5PA-LC](#) [TVP00RGQW-21-75P-LC](#)
[TV06RW-25-90AE](#) [97-3108B16S-5PW-417](#) [PT06J20-24SW](#) [97-3108B16S-4PY-417](#) [97-3108B16S-4PX-417](#)