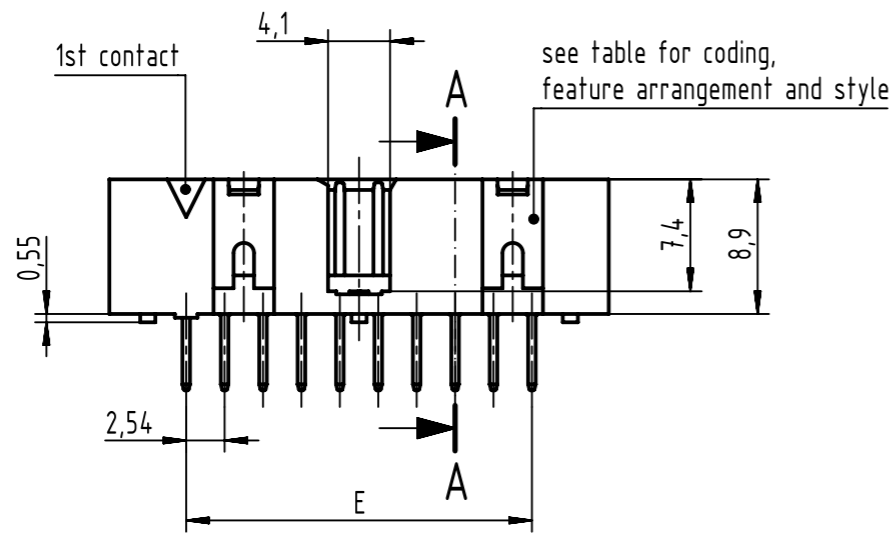
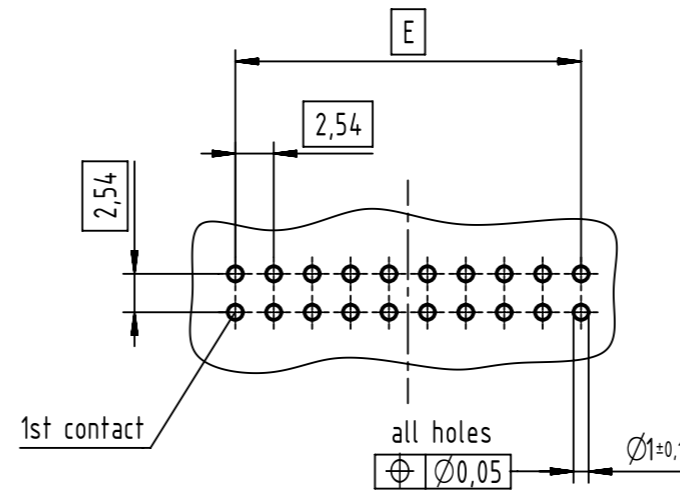
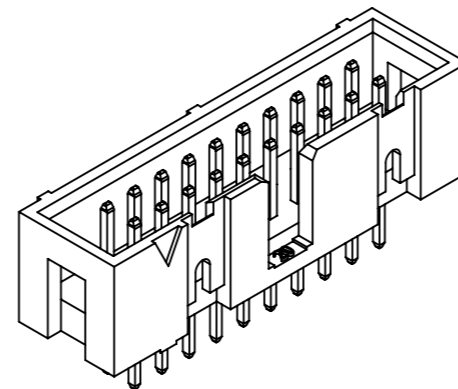
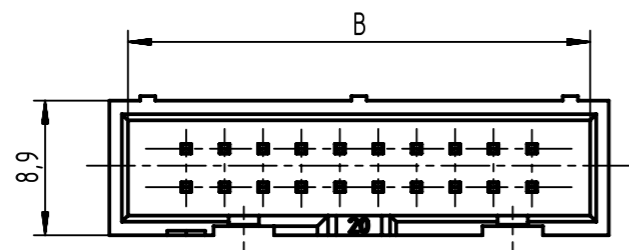
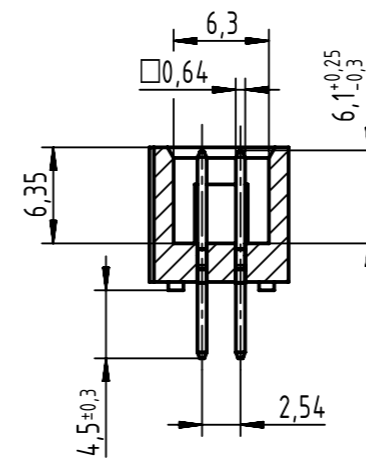


PCB layout
view component side
thickness up to 3.2



A-A




coding style table	
	style A: for connectors 6-pole
	style B: for connectors from 10 to 14-pole
	style C: for connectors from 16 to 64-pole

further more information
see DS 09181100001

full range of P/N's and
dimensions shown on page 2/2

	All Dimensions in mm Original Size DIN A3	Scale 2:1	Free size tol. IEC 60603-13	Ref. Sub. TB 09185XXX322 / 50000068837 / 2014-05-16	
	All rights reserved Department EC PD - DE	Created by STORCK	Inspected by LEHNERT	Standardisation HOFFMANN	Date 2015-12-07
HARTING Electronics GmbH D-32339 Espelkamp		Title SEK 18 male low profile straight solder 4.5			Doc-Key / ECM-Nr. 100154466/UGD/006/A 50000094890
		Type TB	Number 09185XXX322		Rev. A Page 1/2

				performance level			dimensions			
				PL3	PL2	S4				
no. of contacts	part number	part number	part number	insulator colour	A max.	B	E			
06	09 18 506 7322	09 18 506 6322	09 18 506 5322	grey	15,4	12,78	2,54 x 2 = 5,08			
10	09 18 510 7322	09 18 510 6322	09 18 510 5322		20,5	17,86	2,54 x 4 = 10,16			
14	09 18 514 7322	09 18 514 6322	09 18 514 5322		25,6	22,94	2,54 x 6 = 15,24			
16	09 18 516 7322	09 18 516 6322	09 18 516 5322		28,1	25,48	2,54 x 7 = 17,78			
20	09 18 520 7322	09 18 520 6322	09 18 520 5322		33,2	30,56	2,54 x 9 = 22,86			
26	09 18 526 7322	09 18 526 6322	09 18 526 5322		40,8	38,18	2,54 x 12 = 30,48			
30	09 18 530 7322	09 18 530 6322	09 18 530 5322		45,9	43,26	2,54 x 14 = 35,56			
34	09 18 534 7322	09 18 534 6322	09 18 534 5322		51,0	48,34	2,54 x 16 = 40,64			
40	09 18 540 7322	09 18 540 6322	09 18 540 5322		58,6	55,96	2,54 x 19 = 48,26			
50	09 18 550 7322	09 18 550 6322	09 18 550 5322		71,5	68,66	2,54 x 24 = 60,96			
60	09 18 560 7322	09 18 560 6322	09 18 560 5322		84,2	81,36	2,54 x 29 = 73,66			
64	09 18 564 7322	09 18 564 6322	09 18 564 5322		89,3	86,44	2,54 x 31 = 78,74			
06	09 18 506 7322 001	09 18 506 6322 001	09 18 506 5322 001		black	15,4	12,78	2,54 x 2 = 5,08		
10	09 18 510 7322 001	09 18 510 6322 001	09 18 510 5322 001			20,5	17,86	2,54 x 4 = 10,16		
14	09 18 514 7322 001	09 18 514 6322 001	09 18 514 5322 001	25,6		22,94	2,54 x 6 = 15,24			
16	09 18 516 7322 001	09 18 516 6322 001	09 18 516 5322 001	28,1		25,48	2,54 x 7 = 17,78			
20	09 18 520 7322 001	09 18 520 6322 001	09 18 520 5322 001	33,2		30,56	2,54 x 9 = 22,86			
26	09 18 526 7322 001	09 18 526 6322 001	09 18 526 5322 001	40,8		38,18	2,54 x 12 = 30,48			
30	09 18 530 7322 001	09 18 530 6322 001	09 18 530 5322 001	45,9		43,26	2,54 x 14 = 35,56			
34	09 18 534 7322 001	09 18 534 6322 001	09 18 534 5322 001	51,0		48,34	2,54 x 16 = 40,64			
40	09 18 540 7322 001	09 18 540 6322 001	09 18 540 5322 001	58,6		55,96	2,54 x 19 = 48,26			
50	09 18 550 7322 001	09 18 550 6322 001	09 18 550 5322 001	71,5		68,66	2,54 x 24 = 60,96			
60	09 18 560 7322 001	09 18 560 6322 001	09 18 560 5322 001	84,2		81,36	2,54 x 29 = 73,66			
64	09 18 564 7322 001	09 18 564 6322 001	09 18 564 5322 001	89,3		86,44	2,54 x 31 = 78,74			

	All Dimensions in mm Original Size DIN A3	Scale 1:1	Free size tol.	Ref. Sub. TB 09185XXX322 / 50000068837 / 2014-05-16	
	All rights reserved Department EC PD - DE	Created by STORCK	Inspected by LEHNERT	Standardisation HOFFMANN	Date 2015-12-07
HARTING Electronics GmbH D-32339 Espelkamp		Title SEK 18 male low profile straight solder 4.5			Doc-Key / ECM-Nr. 100154466/UGD/006/A 50000094890
		Type TB	Number 09185XXX322		Rev. A Page 2/2

X-ON Electronics

Largest Supplier of Electrical and Electronic Components

Click to view similar products for [Headers & Wire Housings](#) category:

Click to view products by [HARTING](#) manufacturer:

Other Similar products are found below :

[95000-104TRLF](#) [10135584-644402LF](#) [DF62W-EP2022PCA](#) [95000-106TRLF](#) [DF62W-2022SCA](#) [DF62W-EP2022PC](#) [2203348](#) [DF62W-2022SC](#) [1084018](#) [1029039](#) [1084017](#) [802-10-012-10-002000](#) [1112640](#) [1112639](#) [891-007-9SS-BST1T](#) [000-34000](#) [0008550134](#) [0009482033](#) [0009507031](#) [57102-F02-18ULF](#) [57102-S06-03LF](#) [57202-S52-04LF](#) [PCN6-15S-2.5E](#) [0039019024](#) [58102-G61-06LF](#) [582553-1](#) [0009485154](#) [0009508121](#) [0022285053](#) [0050291907](#) [018731A](#) [LY20-4P-DT1-P1E-BR](#) [02.125.8002.8](#) [60101931](#) [60598-1 \(Cut Strip\)](#) [M1625-3R/100](#) [61062-3](#) [61082-181009](#) [CSU011177004](#) [636-1427](#) [638009-1](#) [641938-9](#) [641991-4](#) [644168-1](#) [644827-2](#) [647662-1](#) [65039-019ELF](#) [65692-001LF](#) [65781-018](#) [65781-047](#)