



THIS SERIES FULLY CONFORMS TO THE EUROPEAN UNION DIRECTIVES 2002/95/EC AND 2002/96/EC FOR ROHS COMPLIANCY.



MH CONNECTORS, DIVISION OF EDAC

DRAWING No
MHDU45ZK9-K

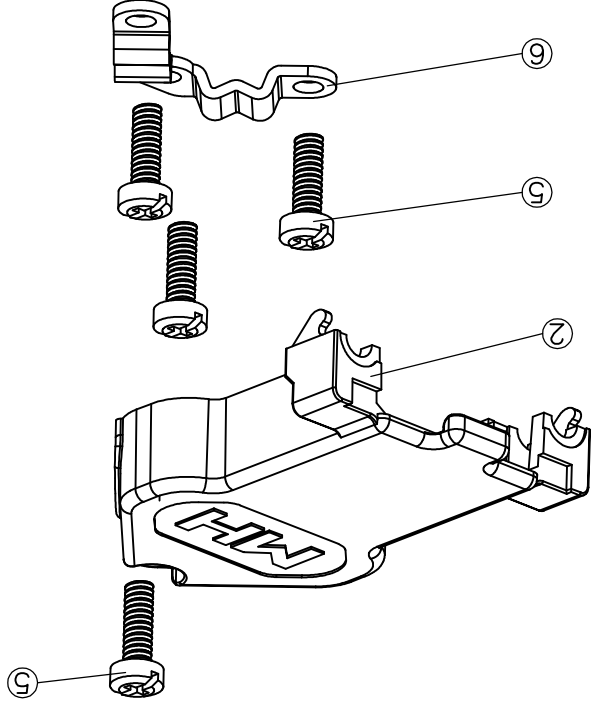
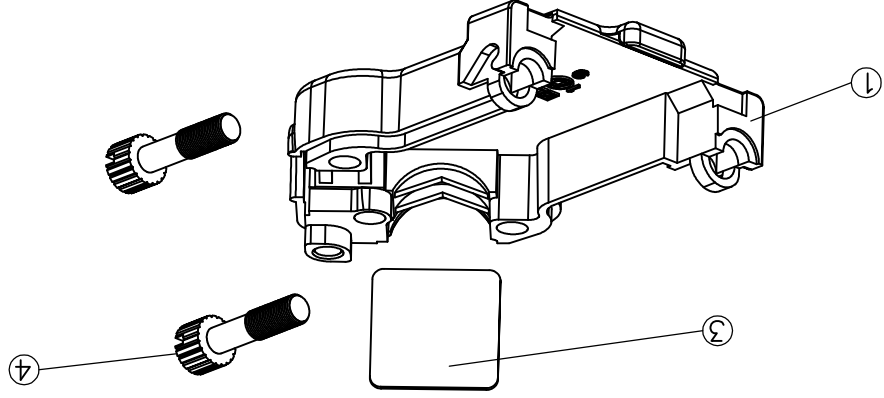
SCALE 1 : 1
SHEET OF 1
REV: 3.0

THESE DRAWINGS AND SPECIFICATIONS ARE THE PROPERTY OF MH CONNECTORS AND SHALL NOT BE REPRODUCED, COPIED OR USED AS THE BASIS FOR THE MANUFACTURE OR SALE OF APPARATUS WITHOUT WRITTEN PERMISSION.

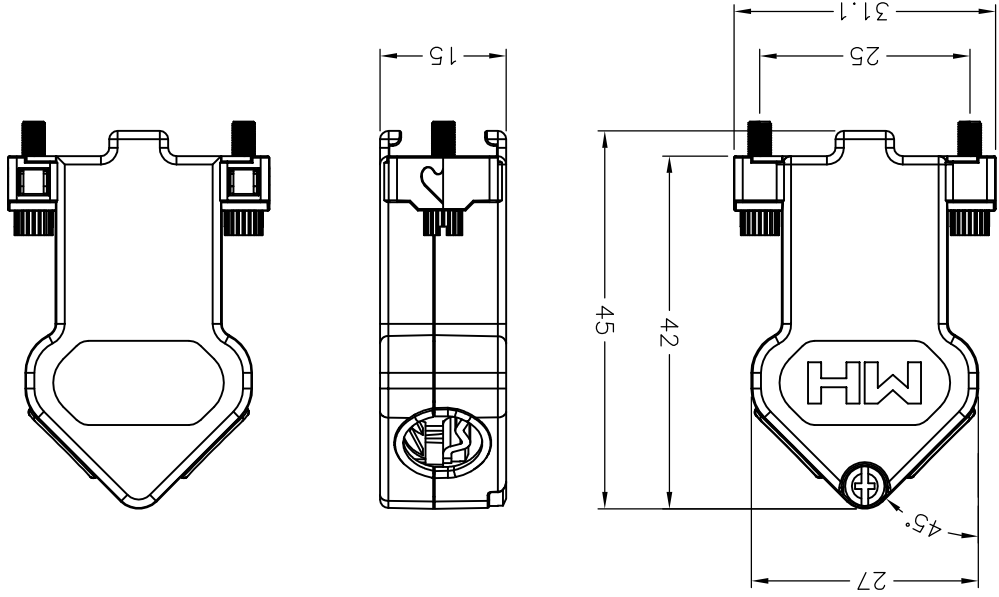
APPROVED
DATE 03-18-15
Victor Lin

DRAWN
DATE 03-18-15
Haley Hu

ITEM	DESCRIPTION	MATERIALS	No.	PLATING
01	BOTTOM COVER	ZINC ALLOY	1	NICKEL PLATED
02	TOP COVER	ZINC ALLOY	1	NICKEL PLATED
03	DUMMY PLATE	STEEL	1	ZINC PLATED
04	MOUNTING SCREW UNC 4-40	STEEL	2	ZINC PLATED
05	SCREW M2.5X7.5	STEEL	4	ZINC PLATED
06	CABLE CLAMP	STEEL	1	ZINC PLATED

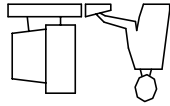


RECOMMENDED CABLE DIAMETER: 4.8mm-9mm



* UNLESS OTHERWISE SPECIFIED TOLERANCES
ON DECIMAL IS: ANGLE ±.5°
X ±0.38
X.X ±0.25
UNIT: MM

THIS IS A CAD GENERATED DRAWING
DO NOT MAKE MANUAL REVISIONS TO MASTER.



X-ON Electronics

Largest Supplier of Electrical and Electronic Components

Click to view similar products for [mh connectors](#) manufacturer:

Other Similar products are found below :

[MHDCMR37-ULP](#) [C88E310000](#) [MHD45ZK25-DM25P-K](#) [MHCCOV-25SC-BK](#) [MHDTZK15-RA-K](#) [DSSKP15L-DB15S-K](#) [DSSKM15L-DB15S-K](#) [MHDM25-DM25P-K](#) [MHRJ126P4CR](#) [BNC4MML1MRG58](#) [RJ45SRB-RET-O](#) [MHDPPK25-Y-K](#) [MHCCOV-9ME](#) [BNCL2.0MRG58](#) [MHDD15-F-T-B-M](#) [MHDD9-M-T-B-M](#) [MHDM15-K](#) [MHDTZK25-K](#) [MHRJ126P6CR](#) [MHDM9-DB9P-K](#) [RJ45SRB-LGREY](#) [MHED-DS25S](#) [BNCL1.0MRG58](#) [MHDM25-K](#) [RG58SRB-G](#) [MHD45PK37-K](#) [MHDTPPK25-DB25SK](#) [MHDU45ZK09-K](#) [DA9-PMJ8-B-K](#) [MHD45ZK50-K](#) [MHDD25-M-T-B-S](#) [MHDB50SP](#) [MH3101S-8821](#) [RG58SRB-R](#) [MHRJ116P4CR](#) [MHTRI-M-9-K](#) [MHDD25-F-T-B-M](#) [MHDM9-DB9S-K](#) [MHDPPK-M-37-K](#) [MHDTPPK37-K](#) [DA9-SMJ8-R-K](#) [RG58SRB-BE](#) [MHDM25-DB25P-K](#) [GA0909FFLGK-RC](#) [MHCCOV-15SN-LG](#) [MHDTZK9-RA-K](#) [DSSKM25L-DB25P-K](#) [MHD45ZK9-DM9P-K](#) [MHDVSL25-K](#) [MHCCOV-25SC-LG](#)