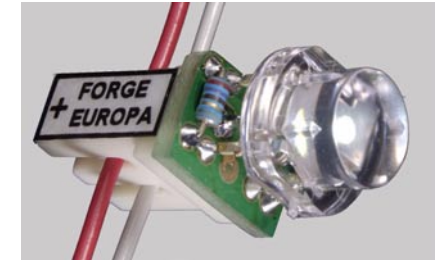


Features

- Designed to push fit into a round hole in a Vac Form cavity or fascia plate
- Fitted with an Insulation Displacement Connector for ease of wiring
- High intensity White illuminator for incandescent bulb replacement
- Range of decorative colours for special effects without filters
- Low power consumption
- Fitted with reverse voltage protection diode
- Water clear epoxy
- Class II ESD Rating



Patent pending

Electro / Optical Characteristics White Illuminator $T_a = 25^\circ \text{C}$

Part Number	Emitting Colour	Die Material	Chromaticity Coordinates		Supply Voltage	Current Consumption	Luminous Flux
			x	y			
FEL-F115W15V12	White	InGaN/SiC	0.31	0.32	12	30	2.82
Units			typical		VDC	mA typical	lm typical

Electro / Optical Characteristics Coloured Illuminator $T_a = 25^\circ \text{C}$

Part Number	Emitting Colour	Die Material	Wavelength		Supply Voltage	Current Consumption	Luminous Flux
			Peak λ_p	Dominant λ_d			
FEL-F115R2112V12	Red	AlGaInP	650	635	12	35	3.30
FEL-F115Y1512V12	Yellow	AlGaInP	591	589	12	35	3.20
FEL-F115G16V12	Green	InGaN/SiC	518	527	12	35	2.97
FEL-F115G11V12	Green	InGaN/SiC	502	505	12	35	1.69
FEL-F115B15V12	Blue	InGaN/SiC	N/A	460 \pm 5	12	35	0.85
Units			nm		VDC	mA typical	lm typical

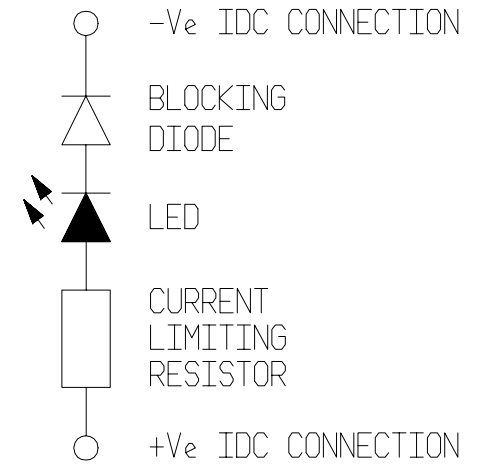
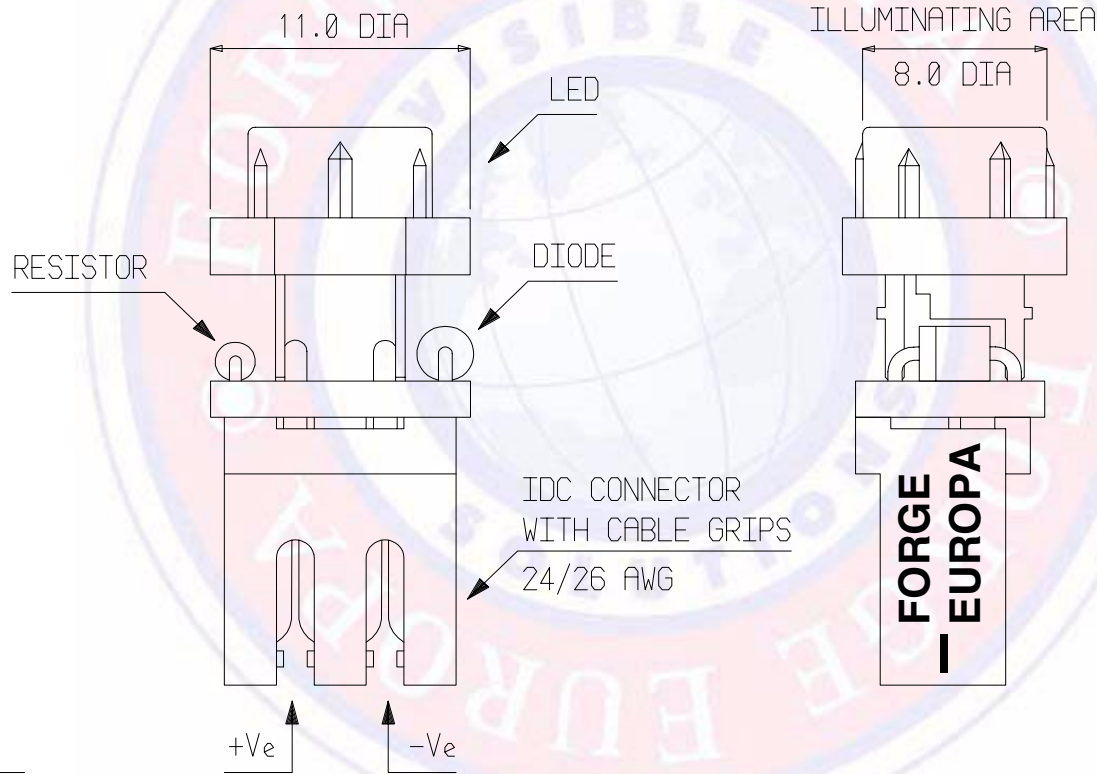
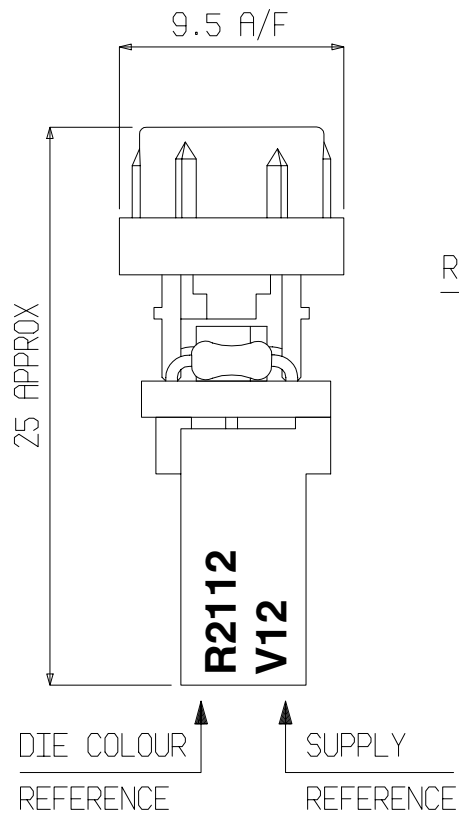
Temperature Characteristics for all Illuminators

Characteristic	Symbol	Rating	Units
Operating Temperature	T_{opr}	- 25 to + 80	$^\circ \text{C}$
Storage Temperature	T_{stg}	- 30 to + 85	$^\circ \text{C}$

It is the responsibility of the customer to verify the suitability of the product for the application.

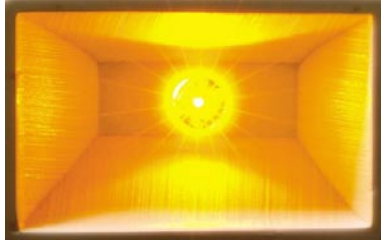
Package Outline

Connection Diagram



Tol ± 0.25 mm unless stated,
Dimensions in mm

Mounting Detail



The design diameter for the mounting hole is 8.0 mm.

The matrix material must be of a consistency suitable to allow the splines of the product to produce an interference fit in the mounting hole when the product is assembled.

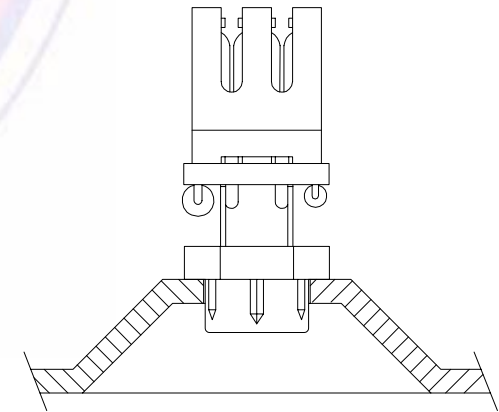
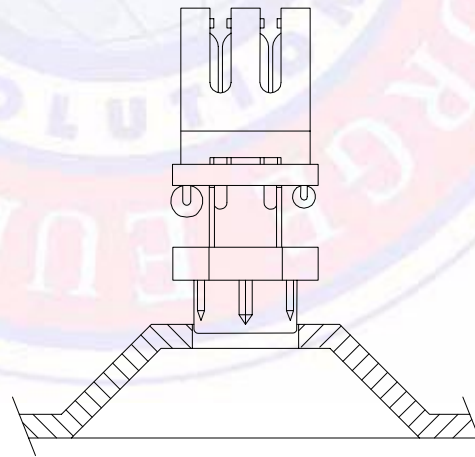
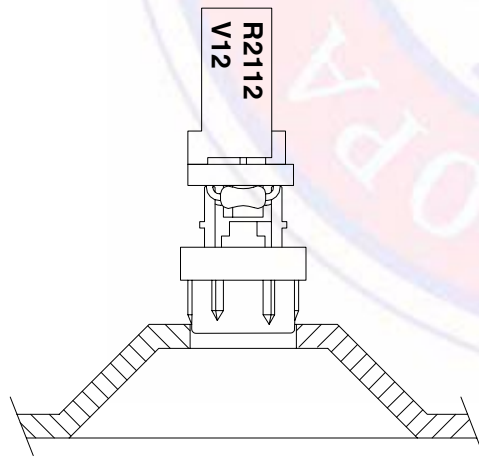
Depending upon the material type and thickness of the mounting matrix the hole size should be adjusted by the user to obtain the required level of push fit force / component retention.

Assembly Method

Place the nose of the LED into the mounting hole.

Rotate the product to achieve the required orientation of the connector.

Press the assembly into the mounting hole until the shoulder of the LED is in full contact with the rear of the mounting matrix.



X-ON Electronics

Largest Supplier of Electrical and Electronic Components

Click to view similar products for [forge europa](#) manufacturer:

Other Similar products are found below :

[FN1-0802B220SGW](#) [FN1-0801B230SGW](#) [FN1-0562B230SGW](#) [FN1-0392B230JGW](#) [FN1-0561B230SGW](#) [FEL-F115B15V12](#) [FNL-U501B22WCSL](#) [FNL-U300B23WCSL](#) [FNL-U300B22CDSL](#) [FN1-0311B2300GW](#) [FNL-U500B22CDSL](#)