

General Specifications

Motor Protection:

Auto Restart/Polarity Protection

Insulation Resistance:

10M Ω or over with a DC500V Megger

Dielectric Withstand Voltage: AC 700V 1s

Allowable Ambient Temperature Range:

-10°C ~ +70°C (Operating)

-40°C ~ +70°C (Storage)

(non-condensing environment)

Expected Life

Failure Rate: 10%

60°C 40,000 Hours (AA/EA)

Material

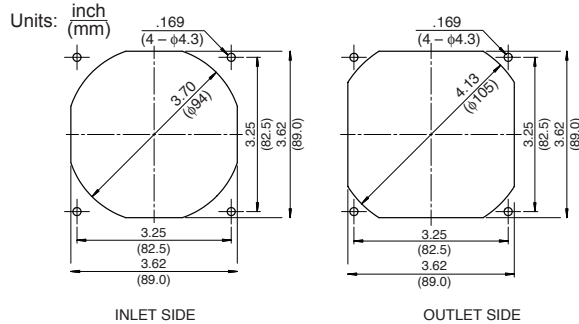
Casing : Plastic (Black) UL94V-0

Impeller : Plastic (Black) UL94V-0

Bearing : Ball Bearing

Lead Wire : UL3385, AWG26, +Red, -Black

Panel Cut-Outs



Specifications

MODEL	LEGACY P/N	Rated Voltage	Operating Voltage	Current	Input Power	Speed	Max. Air Flow		Max. Static Pressure		Noise	Mass
		(V)	(V)	(A) ^{*1}	(W) ^{*1}	(min ⁻¹) ^{*1}	CFM ^{*1}	(m ³ /min) ^{*1}	in H ₂ O	(Pa) ^{*1}	(dB) ^{*1}	(g)
09225VA-12K-AA-00	3610VL-04W-B20-B00	12	7.0 ~ 13.8	0.18	2.16	3200	54.0	1.53	.20	50	35.5	135
09225VA-12L-AA-00	3610VL-04W-B30-B00	12	7.0 ~ 13.8	0.24	2.88	3600	61.1	1.73	.26	65	38.5	135
09225VA-12M-AA-00	3610VL-04W-B40-B00	12	7.0 ~ 13.8	0.30	3.60	4000	68.1	1.93	.32	80	42.0	135
09225VA-12N-AA-00	3610VL-04W-B50-B00	12	7.0 ~ 13.8	0.40	4.80	4500	77.0	2.18	.39	98	45.0	135
09225VA-12P-AA-00	3610VL-04W-B60-B00	12	7.0 ~ 13.8	0.52	6.24	5000	85.8	2.43	.48	120	48.0	135
09225VA-12Q-AA-00	3610VL-04W-B70-B00	12	7.0 ~ 13.8	0.72	8.64	5600	96.4	2.73	.60	150	51.0	135
09225VA-24K-AA-00	3610VL-05W-B20-B00	24	14.0 ~ 27.6	0.11	2.64	3200	54.0	1.53	.20	50	35.5	135
09225VA-24L-AA-00	3610VL-05W-B30-B00	24	14.0 ~ 27.6	0.14	3.36	3600	61.1	1.73	.26	65	38.5	135
09225VA-24M-AA-00	3610VL-05W-B40-B00	24	14.0 ~ 27.6	0.17	4.08	4000	68.1	1.93	.32	80	42.0	135
09225VA-24N-AA-00	3610VL-05W-B50-B00	24	14.0 ~ 27.6	0.22	5.28	4500	77.0	2.18	.39	98	45.0	135
09225VA-24P-AA-00	3610VL-05W-B60-B00	24	14.0 ~ 27.6	0.28	6.72	5000	85.8	2.43	.48	120	48.0	135
09225VA-24Q-AA-00	3610VL-05W-B70-B00	24	14.0 ~ 27.6	0.38	9.12	5600	96.4	2.73	.60	150	51.0	135

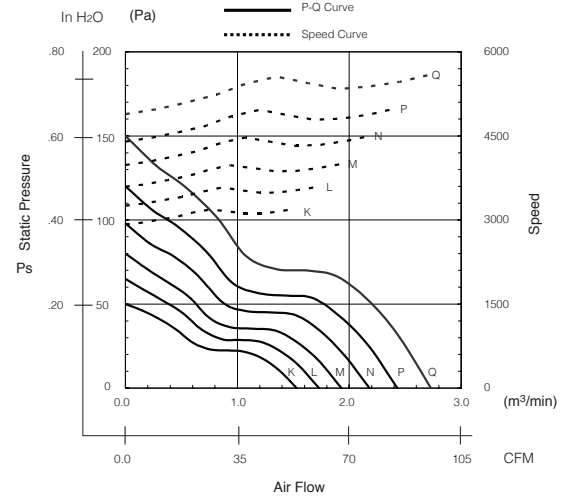
Rotation: Clockwise

Airflow Outlet: Air Out Over Struts

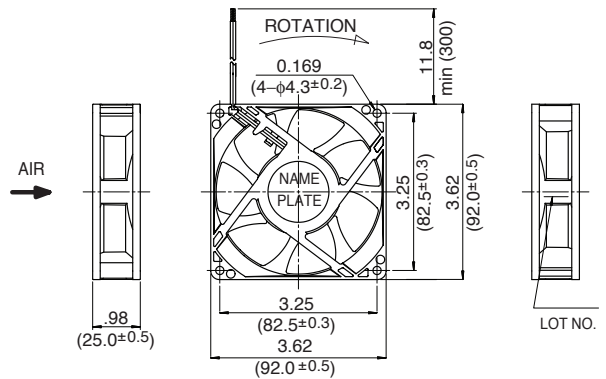
*1: Average Values in Free Air

Note: PWM/Locked Rotor/Tach Available

Characteristic Curves



Outline



X-ON Electronics

Largest Supplier of Electrical and Electronic Components

Click to view similar products for [DC Fans](#) category:

Click to view products by [NMB Technologies](#) manufacturer:

Other Similar products are found below :

[614R](#) [6424/2HP-210](#) [8312R](#) [DV4118/2NP-183](#) [AFB0948HH-S687](#) [PFB0824DHE-8B72](#) [G2E085-AA05-10](#) [RD20S-4/210660](#) [4318/12T](#)
[4418HH](#) [AUB0912H-F00](#) [3412N/2ME](#) [K2E225-RA92-09](#) [4184N/2XR](#) [5214N2HH](#) [614J2HHPR-010](#) [8412NGL-12](#) [4114N/12HHR-297](#)
[4656](#) [ZWR-903](#) [4112N12GL-175](#) [KD2406PKB2.\(2\).GN](#) [AFB1248HHE](#) [AFB1212LE-F00](#) [FAN-SCH-1](#) [MF60151V1-1000U-G99](#)
[PF80252V1-1000U-G99](#) [PF92252V1-1000U-G99](#) [4112N/2H6P](#) [4114N/17-251](#) [6212NH](#) [622/2N](#) [712F-011](#) [8218J/2NP-181](#) [W1G180-AB47-](#)
[15](#) [FAA1-12038NBKW31-A](#) [6318N/2TDP](#) [6318N/2H3PU](#) [6318HU](#) [424JMU](#) [PMD1206PTVX-A.U.GN](#) [PF80251B2-000U-F99](#)
[EF40101BX-1000U-G99](#) [AD1224LB-A71GL](#) [9GA0924L4021](#) [9GA0924M4021](#) [9GA0924M4011](#) [9GA0824B20011](#) [9GA0812A2D0011](#)
[9GA0912M4D011](#) [9GA0924W4D01](#)