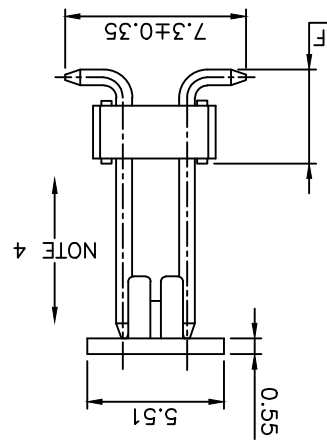
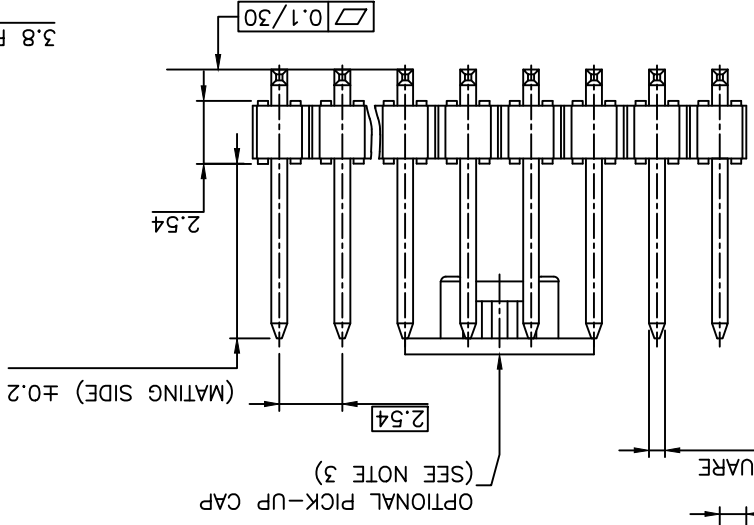
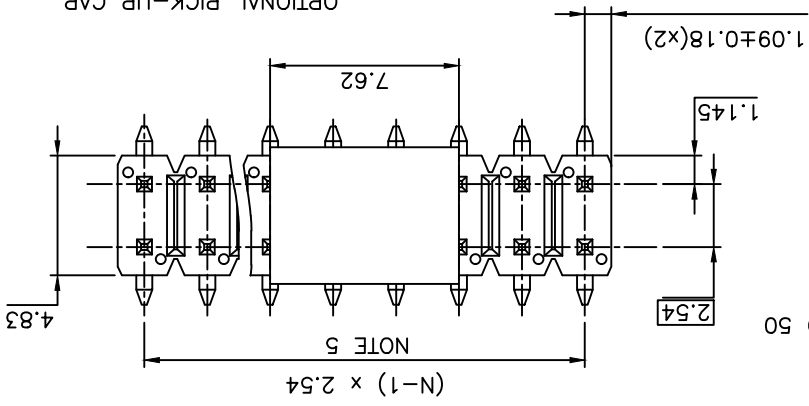


PRODUCT NUMBER
95278-YYY-XXLF

- NOTES:
- 1. HOUSING MAT'L: HIGH TEMPERATURE THERMOPLASTIC. UL94V-0 COLOR: BLACK
 - 2. PIN MATERIAL: PHOSPHOR BRONZE
 - 3 - PACKAGING OPTIONS:
 - = POLY BAGS
 - B = TUBE + CAP
 - A = TAPE & REEL WITH CAP, AS AVAILABLE
 - TR = CUSTOM TAPE & REEL WITH CAP, SEE TAB40
 - ONLY FOR P/N 95278-102TR04LF AND P/N 95278-101TR10LF
 - T = TUBE WITHOUT PICK UP CAP
 - K = TAPE & REEL WITHOUT PICK UP CAP, AS AVAILABLE

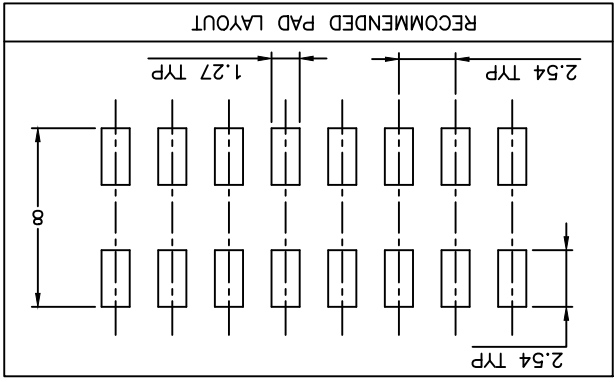
- 4. 9N MIN RETENTION IN EITHER DIRECTION
- 5. TO DETERMINE DIMENSIONS:
N = NUMBER OF POSITIONS PER ROW
EXAMPLE: 8 POS N x 2.54 = 20.32mm
- 6. ROHS COMPATIBLE PRODUCT SPECIFICATIONS

- a - PLATING:
"LF" MEANS THE PRODUCT IS LEAD-FREE,
2µm MINIMUM MATTE TIN OVER 1.27µm
MINIMUM NICKEL UNDERPLATE.
- b - MANUFACTURING PROCESS COMPATIBILITY
THE HOUSING WILL WITHSTAND EXPOSURE TO
260°C PEAK TEMPERATURE FOR 30 SECONDS
IN A CONVECTION, INFRARED OR VAPOR
PHASE REFLOW OVEN.
- c - LABELING:
- MEETS PACKAGING SPECS AS PER GS-14-920
- LEGAL STATEMENT: SEE GS-47-0004



mat'l. code	ISO 1302	surface tolerance	ISO 406 ISO 1001	projection	product family	BERGSTIK
ltt ecn no	dr	date	tolerances unless otherwise specified	mm	title	UNSHR. HEADER
W	F-22120	BVE	15.10.19	angles	linear	x.x #0.3
X	F-22217	BVE	15.10.19	linear	x.x #0.13	x.x #0.13
Y	F-23055	AMA	16.01.15	D.LE	scale	5:1
AA	F-23246	AMA	16.02.12	engr	JM.C	01.01.24
U	B-20276	LMU	15.02.16	chr	JM.C	01.01.24
V	B-20561	AMA	15.03.26	appd	JF.N	01.01.24
sheet revision	AA	U		sheet	1	2
index						

product family BERGSTIK
title UNSHR. HEADER
scale 5:1
drawing no 95278
sheet 1 of 2 size A3
type CUSTOMER
Drawing



PLATING

1 = 0.76µm GOLD/GXT ON CONTACT AREA, 2µm TIN MIN ON TAIL

4 = 2µm TIN MIN FULL PLATED

5 = 0.25µm GOLD/GXT ON CONTACT AREA, 2µm TIN MIN ON TAIL

8 = 0.38µm GOLD/GXT ON CONTACT AREA, 2µm TIN MIN ON TAIL

- 1.27µm NICKEL MIN UNDERLAYER FOR ALL PLATING VERSIONS

PIN STYLE	01
	5.9
	8
	9.9
	11.4
	9.2
	10.4
	5.3
	17.00
	8.10
	8.50
	3.05
	14.35
	14
	15
	6.60

mat'l. code	ISO 1302	surface	ISO 1302	tolerance	ISO 406 ISO 101	projection	projection	product family	BERGSTIK
ltr	ecn no	dr	date	tolerances unless otherwise specified					
N	FO8-0253	LMU	08.12.10	angles	linear	mm	mm	UNSHR. HEADER	DR SMT
P	B-18789	LMU	14.09.11	angles	linear	mm	mm	UNSHR. HEADER	DR SMT
R	B-18983	LMU	14.10.03	angles	linear	mm	mm	UNSHR. HEADER	DR SMT
S	B-20276	LMU	15.02.16	dr	D.LE	01.01.24	dwg no	95278	sheet 2 of -
T	B-20561	AMA	15.03.26	engr	JM.C	01.01.24	type	CUSTOMER	Drawing
U	F-22120	BVE	15.10.09	chr	JM.C	01.01.24	revision		sheet
				ppd	JF.N	01.01.24	index		sheet

6 5 4 3 2 1 A B C D

X-ON Electronics

Largest Supplier of Electrical and Electronic Components

Click to view similar products for [Headers & Wire Housings](#) category:

Click to view products by [FCT Electronics](#) manufacturer:

Other Similar products are found below :

[95000-104TRLF](#) [10135584-644402LF](#) [DF62W-EP2022PCA](#) [95000-106TRLF](#) [DF62W-2022SCA](#) [DF62W-EP2022PC](#) [2203348](#) [DF62W-2022SC](#) [1084018](#) [1029039](#) [1084017](#) [802-10-012-10-002000](#) [1112640](#) [1112639](#) [891-007-9SS-BST1T](#) [000-34000](#) [0008550134](#) [0009482033](#) [0009507031](#) [57102-F02-18ULF](#) [57102-S06-03LF](#) [57202-S52-04LF](#) [PCN6-15S-2.5E](#) [0039019024](#) [58102-G61-06LF](#) [582553-1](#) [0009485154](#) [0009508121](#) [0022285053](#) [0050291907](#) [018731A](#) [LY20-4P-DT1-P1E-BR](#) [02.125.8002.8](#) [60101931](#) [60598-1 \(Cut Strip\)](#) [M1625-3R/100](#) [61062-3](#) [61082-181009](#) [CSU011177004](#) [636-1427](#) [638009-1](#) [641938-9](#) [641991-4](#) [644168-1](#) [644827-2](#) [647662-1](#) [65039-019ELF](#) [65692-001LF](#) [65781-018](#) [65781-047](#)