

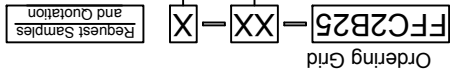
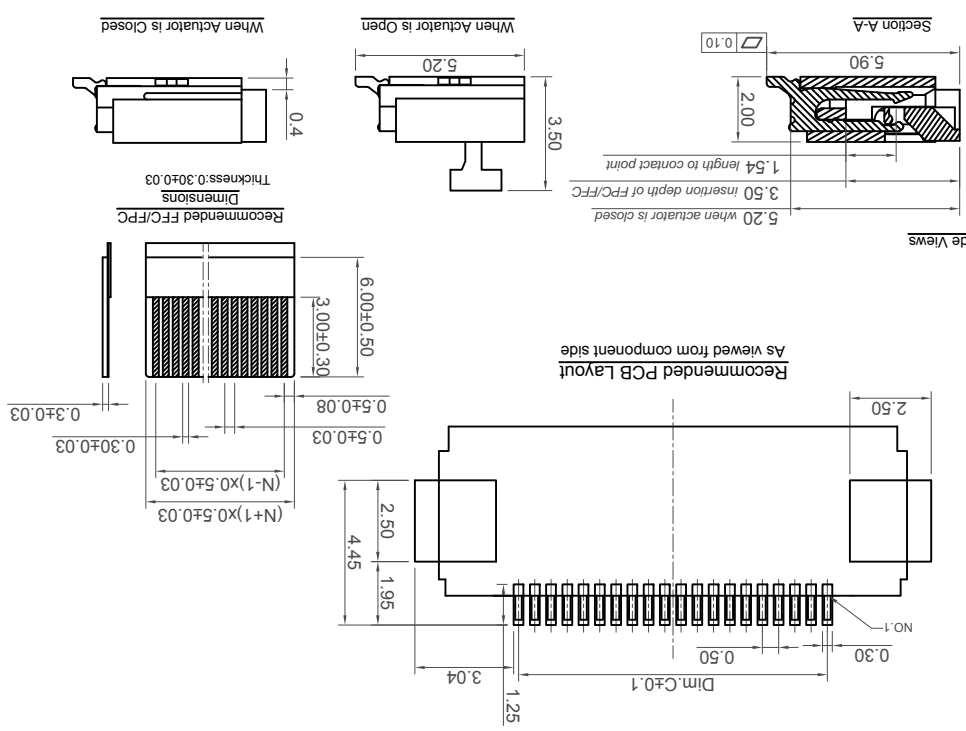
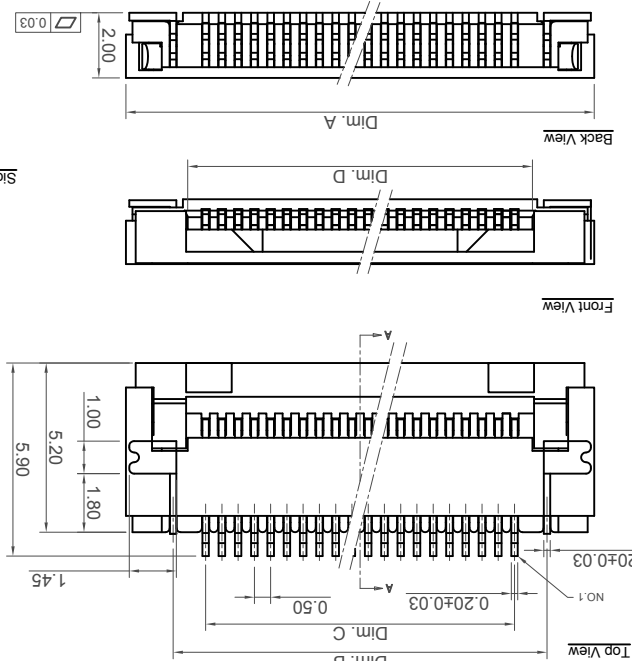
Solder Profile: Peak Temp 260°C (+0/-5°C) Maximum (5 seconds)
 Operating Temperature: -25°C to +85°C 工作溫度: -25° to +85°

Contact Resistance: 40 mΩ Max. 連接阻抗: 40 毫歐
 Insulation Resistance: 50 MΩ Min. 250V DC
 Dielectric Strength: 250V AC for 1 minute
 Voltage Rating (Max.): 50V AC/DC 最大額定電壓 50V AC/DC
 Current Rating (Max.): 0.4A AC/DC 最大額定電流 0.4A AC/DC

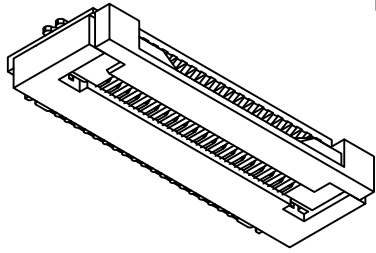
Electrical 电气规格:
 Durability: 20 Cycles
 Mechanical

Fitting Nail: Brass, tin plated 黃銅, 鍍錫
 Finish (a) Contact Plating: see ordering grid
 Contact: Phosphor Bronze 磷青銅
 Actuator: LCP, UL 94V-0, Black
 Housing Material: High-Temp Plastic LCP, UL 94V-0, White 高溫塑膠

Specification 規格:



04 - 60
 No. of Contacts
 T = Tin Plating over all (Standard)
 G = Gold Flash over all
 (reel qty=200pcs)
 (reel qty=2000pcs, MOQ 3 reels)



Pin No.	Dim.A	Dim.B	Dim.C	Dim.D
** 4	6.40	3.50	1.50	2.60
** 5	6.90	4.00	2.00	3.10
** 6	7.40	4.50	2.50	3.60
** 7	7.90	5.00	3.00	4.10
** 8	8.40	5.50	3.50	4.60
** 9	8.90	6.00	4.00	5.10
** 10	9.40	6.50	4.50	5.60
** 11	9.90	7.00	5.00	6.10
** 12	10.40	7.50	5.50	6.60
** 13	10.90	8.00	6.00	7.10
** 14	11.40	8.50	6.50	7.60
** 15	11.90	9.00	7.00	8.10
** 16	12.40	9.50	7.50	8.60
** 17	12.90	10.00	8.00	9.10
** 18	13.40	10.50	8.50	9.60
** 19	13.90	11.00	9.00	10.10
** 20	14.40	11.50	9.50	10.60
** 21	14.90	12.00	10.00	11.10
** 22	15.40	12.50	10.50	11.60
** 23	15.90	13.00	11.00	12.10
** 24	16.40	13.50	11.50	12.60
** 25	16.90	14.00	12.00	13.10
** 26	17.40	14.50	12.50	13.60
** 27	17.90	15.00	13.00	14.10
** 28	18.40	15.50	13.50	14.60
** 29	18.90	16.00	14.00	15.10
** 30	19.40	16.50	14.50	15.60
** 31	19.90	17.00	15.00	16.10
** 32	20.40	17.50	15.50	16.60
** 33	20.90	18.00	16.00	17.10
** 34	21.40	18.50	16.50	17.60
** 35	21.90	19.00	17.00	18.10
** 36	22.40	19.50	17.50	18.60
** 37	22.90	20.00	18.00	19.10
** 38	23.40	20.50	18.50	19.60
** 39	23.90	21.00	19.00	20.10
** 40	24.40	21.50	19.50	20.60
** 41	24.90	22.00	20.00	21.10
** 42	25.40	22.50	20.50	21.60
** 43	25.90	23.00	21.00	22.10
** 44	26.40	23.50	21.50	22.60
** 45	26.90	24.00	22.00	23.10
** 46	27.40	24.50	22.50	23.60
** 47	27.90	25.00	23.00	24.10
** 48	28.40	25.50	23.50	24.60
** 49	28.90	26.00	24.00	25.10
** 50	29.40	26.50	24.50	25.60
** 51	29.90	27.00	25.00	26.10
** 52	30.40	27.50	25.50	26.60
** 53	30.90	28.00	26.00	27.10
** 54	31.40	28.50	26.50	27.60
** 55	31.90	29.00	27.00	28.10
** 56	32.40	29.50	27.50	28.60
** 57	32.90	30.00	28.00	29.10
** 58	33.40	30.50	28.50	29.60
** 59	33.90	31.00	29.00	30.10
** 60	34.40	31.50	29.50	30.60

* = Tooled Parts
 Please contact GCT for non-tooled parts

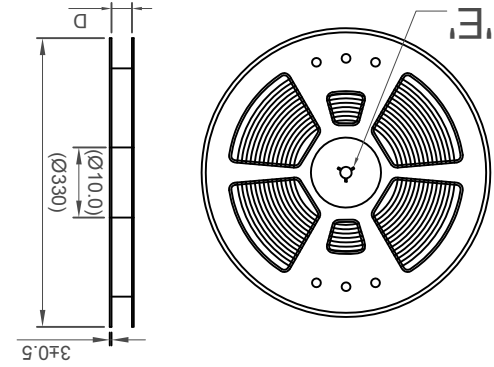
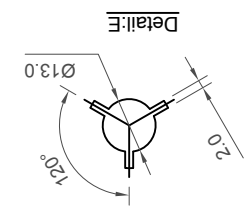
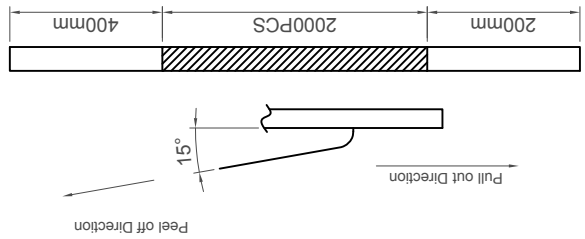
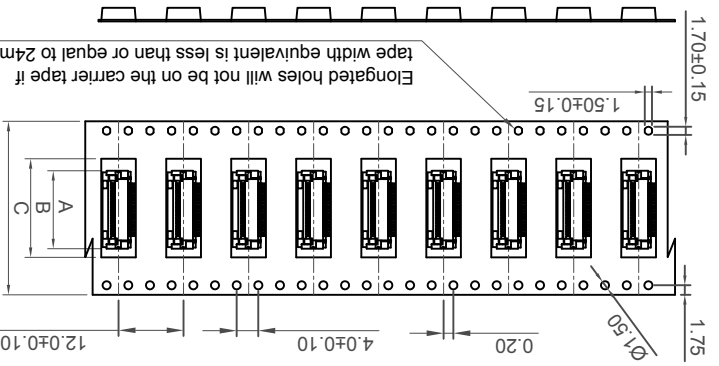
Part Number: FFC2B25
 Drawing Date: 29th May 2010
 Product Description: FPC 0.5mm Pitch Side Entry, Bottom Contact, SMT, Height=2.0mm, ZIF, Flip Lock Type

By: AJO
 Detail: FFC2B25
 Revision: C
 Date: 16/04/04

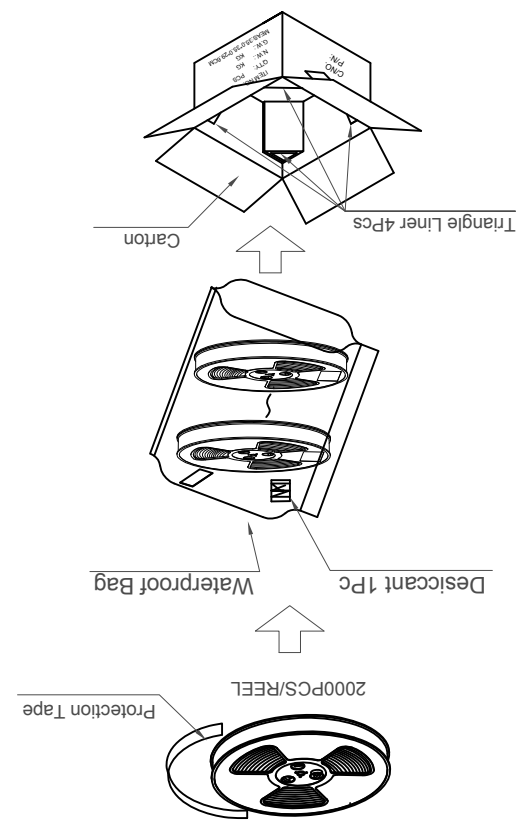
Units: Metric (mm)
 Tolerances (Except as Noted): X.X ± 0.10, X.XX ± 0.15, X.XXX ± 0.2, X.XXX ± 0.5
 2nd Angle Projection

Global Connector Technology
 www.gct.co

No. of Pins	DIM A	DIM B	DIM C	DIM D
4	6.10			
5	6.60			
6	7.10			
7	7.60			
8	8.10			
9	8.60			
10	9.10			
11	9.60			
12	10.10	24.0	26.5	
13	10.60			
14	11.10			
15	11.60			
16	12.10			
17	12.60			
18	13.10			
19	13.60			
20	14.10			
21	14.60			
22	15.10			
23	15.60			
24	16.10			
25	16.60			
26	17.10			
27	17.60			
28	18.10			
29	18.60			
30	19.10			
31	19.60			
32	20.10			
33	20.60			
34	21.10			
35	21.60			
36	22.10			
37	22.60			
38	23.10			
39	23.60			
40	24.10			
41	24.60			
42	25.10			
43	25.60			
44	26.10			
45	26.60			
46	27.10			
47	27.60			
48	28.10			
49	28.60			
50	29.10			
51	29.60			



- NOTES:
1. Number of Connectors: 2000 Rcs/Reel
 2. Material
Carrier Tape: PET, PE, PEF
Reel: PS
 3. Lead Tape Length:
 4. Peeling off force of top tape
0.1N~0.7N (10.2gf~71.4gf)
(Peeling direction as shown below)



Part Number	FFC2B25
Drawing Date	29th May 2010
Product Description	FFC 0.5mm Pitch Side Entry, Bottom Contact, SMT, Height=2.0mm, ZIF, Flip Lock Type

By	AJO
Detail	FFC2B25
Revision	C
Date	16/04/04

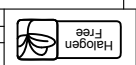
Tolerances (Except as Noted)	Length	Angle	Metric (mm)	Units
X.XX ± 0.2	X.XX ± 1°			
X.XX ± 0.10	X.XX ± 0.5°			
X.XX ± 0.05				

RoHS COMPLIANT	2011/06/26
RoHS	2002/95/CE

Not to Scale	Drawn By	Sheet No.
	PKN	2/2

Global Connector Technology
www.gct.co
GCT

This drawing is confidential and copyright of Global Connector Technology, Ltd (GCT). This drawing must not be copied or disclosed without written consent. E & CE



X-ON Electronics

Largest Supplier of Electrical and Electronic Components

Click to view similar products for [FFC & FPC Connectors](#) category:

Click to view products by [GCT manufacturer](#):

Other Similar products are found below :

[HFW11R-1STE1H1LF](#) [FH29B-100S-0.2SHW\(99\)](#) [FA5S008HP1](#) [FH29B-120S-0.2SHW\(99\)](#) [FH29B-80S-0.2SHW\(99\)](#) [FHS-16](#) [FPH-2022G](#)
[52610-1075](#) [52610-1275](#) [52610-1934](#) [XF3M\(1\)-1415-1B-R100](#) [501864-3091-TR225](#) [0525594033](#) [086210010340800](#) [086222026001800](#)
[52271-2869-CUT-TAPE](#) [62674-201121DLF](#) [62684-36210E9ALF](#) [52610-1675](#) [52746-1671-TR250](#) [10051922-2810EHLF](#) [6-520415-9](#)
[BD021-09A-A1-0350-0200-0550-LD](#) [SFV6R-1STE9HLF](#) [XF3M-2915-1B-R100](#) [1658549-1](#) [62674-221121ALF](#) [46214008010800](#)
[046298003000883](#) [151660622](#) [842-816-2630-035](#) [AYF530665TA](#) [AYF351525](#) [046296011930846+](#) [AYF352325A](#) [046254020000800+](#)
[FH19C-13S-0.5SH\(99\)](#) [FH39J-51S-0.3SHW\(99\)](#) [AYF355125A](#) [AYF530365TA](#) [FH29B-44S-0.2SHW\(99\)](#) [SFW5R-2STAE9LF](#) [AYF351125A](#)
[AYF350725A](#) [62684-502100AHLF](#) [FH39-61S-0.3SHW\(99\)](#) [AYF414035A](#) [10064555-172520HLF](#) [AYF212335A](#) [504754-2500](#)