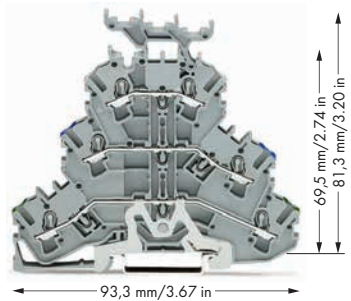
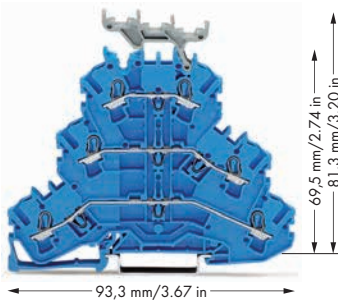
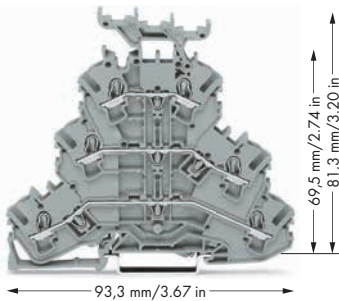
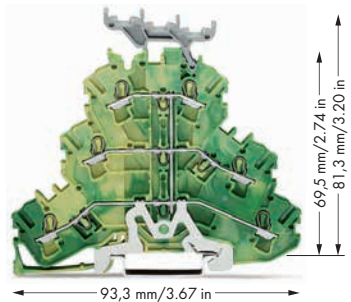
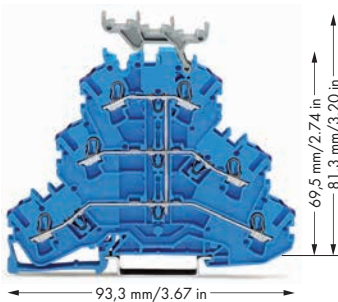
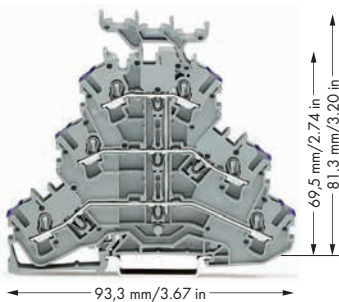


TOPJOB® S Triple-Deck Terminal Blocks 2.5 (4) mm² 2002 Series

<p>0.25 ... 2.5 (4) mm² ① AWG 22 ... 12 500 V/6 kV/3 ② I_N 24 A (28 A) 600 V, 20 A ④ 600 V, 20 A ⑥</p> <p>Terminal block width 5.2 mm / 0.205 in. □ 10 ... 12 mm / 0.43 in. ③</p>	<p>0.25 ... 2.5 (4) mm² ① AWG 22 ... 12 500 V/6 kV/3 ② I_N 24 A (28 A) 600 V, 20 A ④ 600 V, 20 A ⑥</p> <p>Terminal block width 5.2 mm / 0.205 in. □ 10 ... 12 mm / 0.43 in. ③</p>	<p>0.25 ... 2.5 (4) mm² ① AWG 22 ... 12 500 V/6 kV/3 ② I_N 24 A (28 A) 600 V, 20 A ④ 600 V, 20 A ⑥</p> <p>Terminal block width 5.2 mm / 0.205 in. □ 10 ... 12 mm / 0.43 in. ③</p>
--	--	--



Item No.	Pack. Unit	Item No.	Pack. Unit	Item No.	Pack. Unit
Through/through/through terminal block, with marker carrier, gray housing		Through/through/through terminal block, with marker carrier, blue housing		Ground conductor/through/through terminal block, with marker carrier, gray housing	
○ L/L/L ⑤	2002-3231 ⑤ 50	● N/N/N ⑤	2002-3234 ④ ⑤ 50	○ PE/N/L ⑤	2002-3247 ⑤ 50
○ L/L/N ⑤	2002-3233 ⑤ 50			○ PE/L/L ⑤	2002-3257 ⑤ 50
Through/through/through terminal block, without marker carrier, gray housing		Through/through/through terminal block, without marker carrier, blue housing		Ground conductor/through/through terminal block, without marker carrier, gray housing	
○ L/L/L ⑤	2002-3201 ⑤ 50	● N/N/N ⑤	2002-3204 ④ ⑤ 50	○ PE/N/L ⑤	2002-3217 ⑤ 50
○ L/L/N ⑤	2002-3203 ⑤ 50			○ PE/L/L ⑤	2002-3227 ⑤ 50
Other terminal blocks with the same profile:					
Diode	2002-3211/1000-410	Page 88			
LED	2002-3221/1000-434	Page 88			



Item No.	Pack. Unit	Item No.	Pack. Unit	Item No.	Pack. Unit
6-conductor through terminal block, with marker carrier, internal commoning, conductor entry position colored in violet, gray housing		6-conductor through terminal block, with marker carrier, internal commoning, conductor entry position colored in violet, blue housing		6-conductor ground terminal block, with marker carrier, internal commoning, green-yellow housing	
○ L ⑤	2002-3238 ⑤ 50	● N ⑤	2002-3239 ④ ⑤ 50	● PE ⑤	2002-3237 ⑤ 50
6-conductor through terminal block, without marker carrier, internal commoning, conductor entry position colored in violet, gray housing		6-conductor through terminal block, without marker carrier, internal commoning, conductor entry position colored in violet, blue housing		6-conductor ground terminal block, without marker carrier, internal commoning, green-yellow housing	
○ L ⑤	2002-3208 ⑤ 50	● N ⑤	2002-3209 ④ ⑤ 50	● PE ⑤	2002-3207 ⑤ 50

X-ON Electronics

Largest Supplier of Electrical and Electronic Components

Click to view similar products for [wago manufacturer](#):

Other Similar products are found below :

[750-460](#) [231-118/026-000](#) [231-303/026-000](#) [231-620/019-000](#) [257-403](#) [280-438](#) [280-831](#) [284-624](#) [210-111](#) [231-303/037-000](#) [231-446/001-000_NR](#) [232-216/026-000](#) [234-510](#) [264-726](#) [280-339](#) [0283-0671](#) [830-800/000-305](#) [750-512](#) [750-455](#) [51251782](#) [286-312](#) [713-1428/107-000](#) [731-138/048-000](#) [750-459](#) [750-517](#) [750-602](#) [793-3505](#) [826-172](#) [859-304](#) [280-335](#) [231-535/001-000](#) [2604-1105](#) [2604-1106](#) [2604-1504](#) [2606-1103/020-000](#) [2624-1103](#) [2626-3103/020-000](#) [821-104](#) [713-1107](#) [852-1411](#) [2106-1307](#) [2116-5307](#) [832-1205](#) [832-3604](#) [2009-110](#) [281-512/281-501](#) [286-336](#) [750-421](#) [750-838](#) [753-559](#)